

- Tough, attractive, solid plastic never needs painting; resists dents and scratches
- Impervious to moisture – lockers will not rust or delaminate
- Durable, vandal-resistant, all-welded construction
- Wide range of sizes, colors and options
- 20-year warranty against rust, delamination or breakage under normal use*
- Foot locker has slow closing hinge - no slamming
- Lockers ship fully assembled
- US patent numbers: 6,685,285 – 6,792,661 – 6,793,299 – 7,029,078 – 7,223,317 – 7,278,695 – 7,510,249 – 7,699,412 – 7,789,471
- Other patents pending

Construction – Standard Features

Sizes

Standard Sizes: 24", 30", 36" Wide Nominal: 72" Tall
18", 21", 24" Deep

Upper Door and Cubby Frame

Constructed of ½" thick high-density polyethylene (HDPE) with homogeneous color and a matte textured finish. Dirt or graffiti are easily removed with standard industrial cleaners. Frame is welded to locker box to provide a secure, rigid assembly. Door has ventilation slots.

Sides, Tops, Bottoms, Dividers and Shelves

Constructed of ½" thick HDPE with homogenous color and a matte finish texture. Sides and back of box are formed from a single sheet of HDPE with fused corners. Top, bottom, divider and shelf are welded to frame without metal fasteners or dovetail joints.

Latch Bar

Full-length latch bar is constructed of ½" thick HDPE with a smooth finish. Runs entire length of door, providing a continuous security latching system. Latch lifts up to open and returns to closed position after door is closed. Latch bar is secured to locker door with stainless steel security TORX-head shoulder screws.

Door Hinge

Heavy-duty, full-length piano hinge is constructed of 18 gauge, type 304 stainless steel. Hinge wraps around edges of the door and the frame and is secured with stainless steel security TORX-head screws. Hinge is powder coated to match locker color† and is field replaceable.

Handle

Constructed of injection molded plastic. Ergonomically designed handle is ADA compliant – operates with less than 5 lbs. of force. Handle is secured through latch bar to door with stainless steel security TORX-head screws.

Hasp

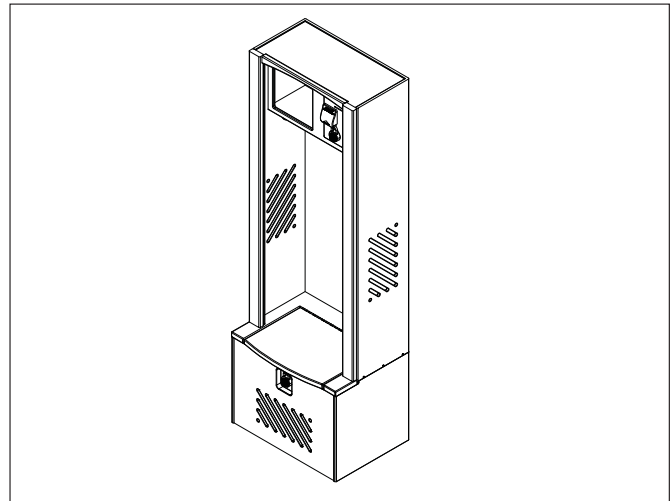
Constructed of 12 gauge stainless steel. Accepts standard padlocks with ½" diameter (nominal) shackle. (Long shackle padlocks should not be used.) Secured to door behind latch bar with stainless steel screws.

Foot Locker/Bench Seat

Built-in, secure foot locker/bench seat maximizes floor space. Constructed of ½" thick HDPE sides with 1" thick HDPE hinged bench top. Hinge, which is field replaceable, is 16 gauge, type 304 SS powder coated to match locker color. Seat closes with Soft-Down Stay, a high quality safety device for safe, smooth closure every time. Recessed hasp lock, for use with standard padlocks with ½" diameter (nominal) shackle, secures bench seat.

Number Plates

Constructed of painted black aluminum with silver numbers. Number plates are secured with grooved rivets into a recessed pocket cut into the door. Plates must be fastened to lockers on the job by installer.



Installation Trim

Constructed of 1" thick HDPE with homogenous color and a matte finish texture. Trim is shipped loose & mounted after lockers are installed. The trim will create sturdy & cleanly finished side walls.

Wall Hooks

Constructed of black powder-coated cast zinc. Four (4) hooks are secured to each locker.

Construction – Optional Features

Coat Hook

Double hook constructed of black polycarbonate. Hook hangs centered under upper locker. Secured with stainless steel screws.

Mesh Box Sides

Standard locker sides are machined with cross-hatch pattern to provide ventilation for locker contents.

Combination Padlock

Master Lock #1525 combination padlock fits into standard hasp. Double reinforced construction with stainless steel outer case and cold-rolled steel inner case adds strength and durability. Nickel-plated hardened steel shackle resists rust. Two (2) required per locker.

Coat Rod

Constructed of 1" diameter stainless steel. Rod is mounted with stainless steel flanges and stainless steel screws. Coat rods will be shipped loose and installed on the job after installation of the lockers.

Additional Wall Hooks

Additional hooks (quantity of 1–3) are secured to the locker.

Logos

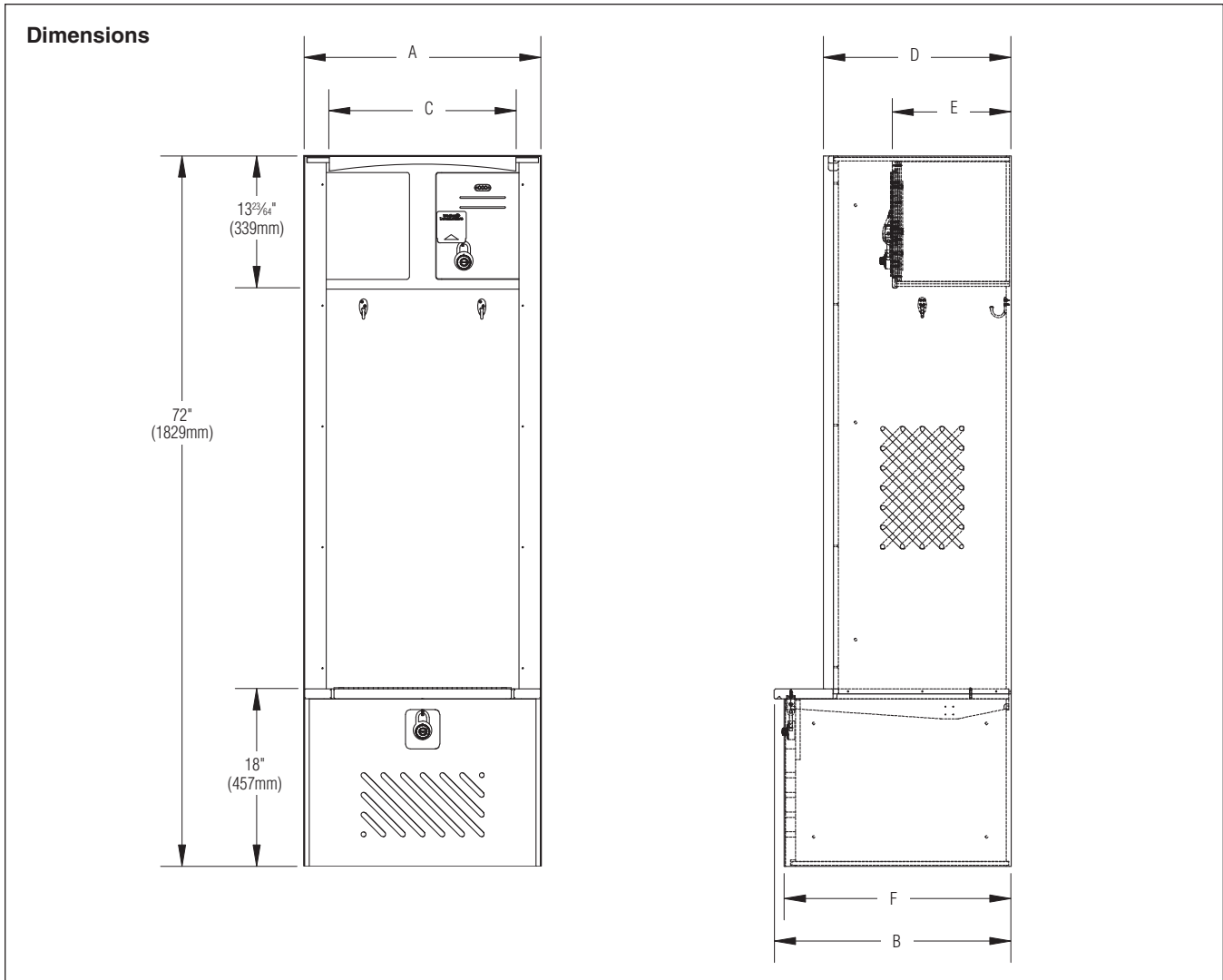
Custom logo is machined into back wall of locker. Logo artwork must be provided to Bradley in one of the following formats "DXF", "DWG", "IGES" or "SAT". Font and the size of the logo are also needed.

Mirror

4" x 6" Acrylic Mirror with double-sided adhesive tape. Assembled at the job site for placement flexibility.

* Normal use further defined as lockers installed in a climate-controlled environment, away from direct sunlight.

† Dove Stone locker will have white hinge and handle. Starry Night locker will have black hinge and handle.



SIZE	A	B	C	D	E	F
24"W x 18"D	24" (610mm)	18" (457mm)	19" (483mm)	13" (330mm)	9.03" (229mm)	17" (432mm)
24"W x 21"D	24" (610mm)	21" (533mm)	19" (483mm)	16" (406mm)	10.53" (267mm)	20" (508mm)
24"W x 24"D	24" (610mm)	24" (610mm)	19" (483mm)	19" (483mm)	12.03" (306mm)	23" (584mm)
30"W x 18"D	30" (762mm)	18" (457mm)	25" (635mm)	13" (330mm)	9.03" (229mm)	17" (432mm)
30"W x 21"D	30" (762mm)	21" (533mm)	25" (635mm)	16" (406mm)	10.53" (267mm)	20" (508mm)
30"W x 24"D	30" (762mm)	24" (610mm)	25" (635mm)	19" (483mm)	12.03" (306mm)	23" (584mm)
36"W x 18"D	36" (914mm)	18" (457mm)	31" (787mm)	13" (330mm)	9.03" (229mm)	17" (432mm)
36"W x 21"D	36" (914mm)	21" (533mm)	31" (787mm)	16" (406mm)	10.53" (267mm)	20" (508mm)
36"W x 24"D	36" (914mm)	24" (610mm)	31" (787mm)	19" (483mm)	12.03" (306mm)	23" (584mm)

Model	Description
<input type="checkbox"/> LENOXGEAR	Solid Plastic Gear Locker
Required Selections (Must Select One from Each Category)	
Locker Width (Select One):	
<input type="checkbox"/> 24-WIDTH	24" Wide Gear Locker
<input type="checkbox"/> 30-WIDTH	30" Wide Gear Locker
<input type="checkbox"/> 36-WIDTH	36" Wide Gear Locker
Locker Depth (Select One):	
<input type="checkbox"/> 18-DEPTH	18" Deep Gear Locker
<input type="checkbox"/> 21-DEPTH	21" Deep Gear Locker
<input type="checkbox"/> 24-DEPTH	24" Deep Gear Locker
Locker Height:	
<input type="checkbox"/> 72-HGT	72" High Gear Locker
Locker Color (Select One):	
<input type="checkbox"/> Beige	<input type="checkbox"/> Hunter Green
<input type="checkbox"/> Black	<input type="checkbox"/> Linen
<input type="checkbox"/> Bronze	<input type="checkbox"/> Moss
<input type="checkbox"/> Burgundy	<input type="checkbox"/> Red
<input type="checkbox"/> Buttermilk	<input type="checkbox"/> Sky Blue
<input type="checkbox"/> Canyon Granite	<input type="checkbox"/> Starry Night†
<input type="checkbox"/> Charcoal Gray	<input type="checkbox"/> Toffee
<input type="checkbox"/> Deep Blue	<input type="checkbox"/> White
<input type="checkbox"/> Desert Stone	<input type="checkbox"/> 100% Post-Consumer Charcoal Gray**
<input type="checkbox"/> Dove Stone†	<input type="checkbox"/> 100% Post-Consumer Toffee**
<input type="checkbox"/> Gray	<input type="checkbox"/> 100% Pre-Consumer Black
Locker Door:	
<input type="checkbox"/> Std-Door	Standard Door – Louvered Vented
Locker Sides (Select One):	
<input type="checkbox"/> Std-Solid Sides	Solid Locker Sides
<input type="checkbox"/> Mesh-Sides	Mesh Locker Sides

Optional Selections	
Locker Lock Type:	
<input type="checkbox"/> PADLOCK	Combination Padlock
Locker Number Plates:	
<input type="checkbox"/> NUMBERS	Number Plates List Sequence _____
Locker Logos:	
<input type="checkbox"/> LOGOS	Custom Logo Description _____
Locker Coat Hooks:	
<input type="checkbox"/> COAT-HOOK	1-3 Double Coat Hook(s) per Locker Specify Location(s) _____
Locker Coat Rod:	
<input type="checkbox"/> COAT ROD	Optional Coat Rod
Additional Wall Hooks:	
<input type="checkbox"/> WALL-HOOK	1-3 Additional Hook(s) per Locker Specify Location(s) _____

** 100% Post-Consumer HDPE may have some minor flaws and the color may be inconsistent.

† Dove Stone locker will have white hinge and handle. Starry Night locker will have black hinge and handle.