

# Aerada™ 900 Series Futura Faucet with Battery Infrared Control (BIR)

## Models S53-284, S53-289

- Battery Infrared Control Powered by (6) Double-A Alkaline Batteries
- Broad Sensing Zone Within Bowl
- Vandal-Resistant
- Automatic Sensor Adaptation to Lav Bowl
- Centershank/4" Centerset or 8" Centerset Mounting

## Specifications

### User Operation

The faucet activates water flow only when the user's hands enter a broad infrared detection zone within the lavatory bowl perimeter. The faucet turns itself off after hands are removed from the lavatory bowl area, allowing users to dry hands or groom without wasting water.

### Component Operation

The Aerada™ 900 Series Futura (BIR) controls water flow by using a battery powered sensor module to electronically open and close a motor driven valve.

The Bradley battery powered sensor module uses a zone-focused infrared transmitting beam to create a large detection area confined strictly to the lavatory bowl. When the hands enter the detection area, the sensor starts water flow by electronically opening the valve. When hands leave the detection area, the sensor stops water flow by closing the valve.

The faucet is powered by (6) double-A alkaline batteries (not included). The batteries are mounted in a plastic box which can be remotely located beneath the countertop.

Average faucet cycles will vary by battery. Six double-A alkaline batteries yield approximately 500,000 cycles.

The incoming water supply can be tempered or cold. An optional Bradley Vernatherm™ Thermostatic Mixing Valve can be utilized to mix hot and cold supplies and deliver tempered water at a temperature no greater than 105°F.

## Standard Equipment

### Battery Infrared Sensor

Each battery powered sensor uses a zone-focused infrared transmitting beam, creating a large detection area not exceeding the bowl perimeter. When hands enter the detection area, the sensor starts water flow by opening the valve electronically. When hands leave the detection area, the sensor stops the flow of water by closing the valve.

### Solenoid Valve

The 9-volt DC, electronically activated, motor driven valve has few moving parts providing reliable operation that is unaffected by most chemicals and minerals often present in municipal water supplies. The valve is located inside the operation box assembly along with (6) double-A alkaline batteries.



### Flow Control/Rate

Operating range 20-100 PSI. Flow restrictor keeps flow rate constant at all pressures. The flow rate is .5 GPM.

### Body

Chrome plated, solid cast brass body, centershank/4" mounting (standard) or 8" centerset mounting with trim plate.

### Sanitary

No-touch operation reduces water/soap splatter and addresses the public's increasing awareness and concern about communicable diseases.

### Vandal Resistant

There are no surface-mounted controls to tempt vandals. The sensor module is sealed and can be located under the countertop. The sensor's infrared send-and-receive optics are protected by a scratch-resistant polycarbonate shield. The battery powered sensor will automatically shut off water flow after 60-90 seconds if a vandal attempts to trigger constant operation by covering the sensor or placing a stationary object in the sensor's detection zone.

## Code Compliance and Certifications

### CSA

The 900 Series Futura faucets are CSA certified to meet CSA B125 test standards for plumbing fixtures.

### ADA Compliance

The sensor module produces a broad detection zone which allows disabled users to easily activate the faucet from either a front or side approach, thereby meeting guidelines provided by ANSI A117-1.

### Check Your Surroundings

Certain factors, such as intense direct sunlight, other infrared devices, or other site conditions may interfere with the activation of infrared faucets. Contact your local Bradley representative to discuss any application concerns.



P.O. Box 309, Menomonee Falls, WI 53052-0309  
Phone 1-800-BRADLEY FAX 262-251-5817  
<http://www.bradleycorp.com>

Document No. 3042

This information is subject to change without notice.  
© 2003 Bradley Corporation  
10-25-2004 (2 Pages Total)

FA3042.1

# Aerada™ 900 Series Futura Faucet with Battery Infrared Control (BIR)

Models S53-284, S53-289

## Sample Specification

No-touch infrared faucet shall be (S53-284) Bradley Aerada™ 900 Series Futura faucet with battery powered sensor module. Battery powered infrared sensor to use zone-focused transmitting beam, creating a detection area not exceeding the bowl perimeter. Individual infrared controls powered by six double-A batteries concealed inside an operation box assembly with the electronically activated, motor driven valves. Battery powered infrared sensor module to be auto shut-off after 60-90 seconds of continuous triggering by stationary object, a timing turn-off delay of 1 to 3 seconds. Sensor module send and receive optics shall be protected by a flush-mounted, shatter-resistant polycarbonate shield. Faucet shall include chrome-plated, solid cast brass body with centershank mounting.

**NOTE:** Transformers are UL/CSA recognized for use 24VAC, 50/60 HZ, Class II Location and box, if required, (list others) per local electrical code.

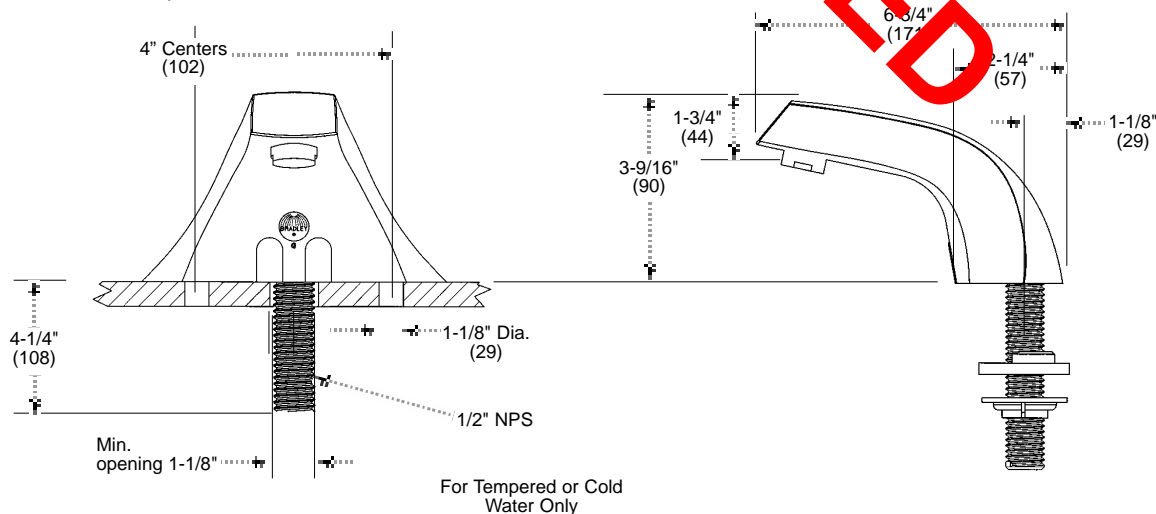
### MODELS – Faucet Only

Part No.	Model/Description
<input type="checkbox"/> S53-284	900 Series, Battery IR w/4" Centerset/Centershank

### MODELS – Faucets with Trim Plate

Part No.	Model/Description
<input type="checkbox"/> S53-289	900 Series, Battery IR Centerset/Centershank w/ Plate

Dimensions shown in parentheses are in millimeters.



### OPTIONAL SELECTIONS

Part No.	Model/Description
<b>24-volt Transformer:</b>	
<input type="checkbox"/> S83-005	Plug-in Transformer, 24V, with Anti-theft Bracket
<input type="checkbox"/> S45-848	Remote Transformer, 24V, for 1-4 Faucets
<b>Water Supply:</b>	
<input type="checkbox"/> S59-4004XS	TMA Vernatherm™ Thermostatic Mixing Valve Pre-Pack
<input type="checkbox"/> S45-1604	TL Single Tempered Line w/ Stop, Strainer, Check Valves
<b>Temperature Selection Valve:</b>	
<input type="checkbox"/> S01-515	MM2, User-Adjustable Mixing Valve, High Flow, 3 GPM
<b>Drain Assembly:</b>	
<input type="checkbox"/> 269-1231	D-ASSY, Drain, Strainer, and Tailpiece

Document No. 3042

This information is subject to change without notice.  
10-25-2004 (2 Pages Total)



P.O. Box 309, Menomonee Falls, WI 53052-0309  
Phone 1-800-BRADLEY FAX 262-251-5817  
<http://www.bradleycorp.com>