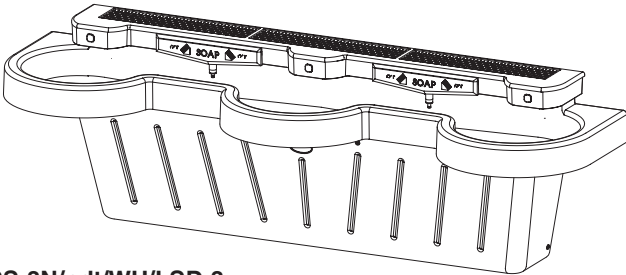


SS-3N/ndt/STD/LSD-3



SS-3N/ndt/WH/LSD-3

Installation

SS-3N/ndt/STD
SS-3N/ndt/WH



Express® Lavatory System SS-Series

Express Lavatory Systems are ADA and TAS compliant

U.S. Pat. Nos. 5,611,093, D447,224

Other Patents Pending

Table of Contents

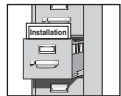
Pre-Installation Information	2
Components	3
Supplies Required	4
Dimensions	4-5
Rough-Ins	6
Installation	7-11
Solenoid Valve Troubleshooting	12
Navigator Mixing Valve Troubleshooting	13
Stop Valve Troubleshooting	14
Cleaning and Maintenance for Terreon®	14
Soap Dispenser Maintenance	15

DISCONTINUED



P.O. Box 309, Menomonee Falls, WI USA 53052-0309
PHONE 800.BRADLEY (800.272.3539) FAX 262.251.5817
bradleycorp.com

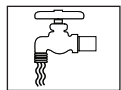
⚠ IMPORTANT! ⚠



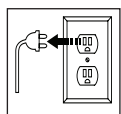
Read this entire installation manual to ensure proper installation. When finished with the installation, file this manual with the owner or maintenance department. Compliance and conformity to local codes and ordinances is the responsibility of the installer.



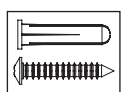
Separate parts from packaging and make sure all parts are accounted for before discarding any packaging material. If any parts are missing, do not begin installation until you obtain the missing parts.



Make sure that all water supply lines have been flushed and then completely turned off before beginning installation. Debris in supply lines can cause valves to malfunction.



Turn OFF electrical power to the electrical outlets, then unplug all electrical units prior to installation. Electrical power MUST remain off until unit and optional water heater have been plumbed. After installation is complete, turn on the water supply first, then turn on the electrical power.



Hardware supplied by installer must be appropriate for wall construction. Wall anchors must have a minimum pull-out rating of 1,000 lbs. Follow appropriate dimensions for standard or juvenile height based on configuration and required rim height. Overtightening fasteners can damage the Terreon® material. Use caution when tightening bowl and sprayhead fasteners.

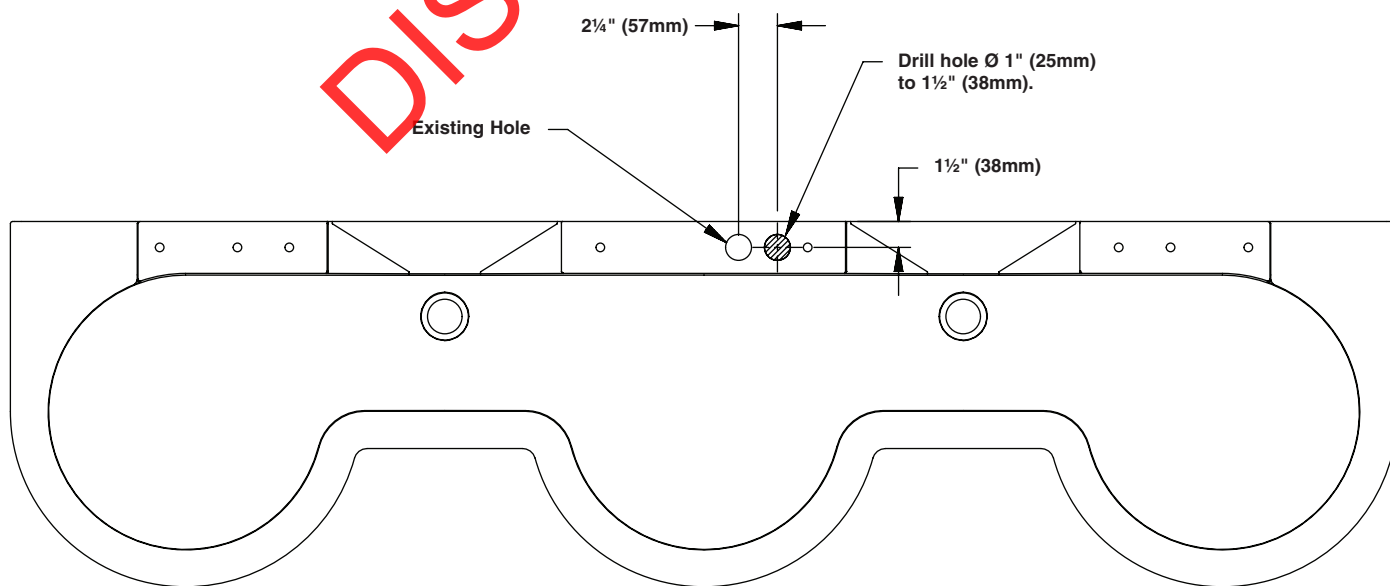


Product warranties may be found in the "Products" section on our Web site at www.bradleycorp.com.

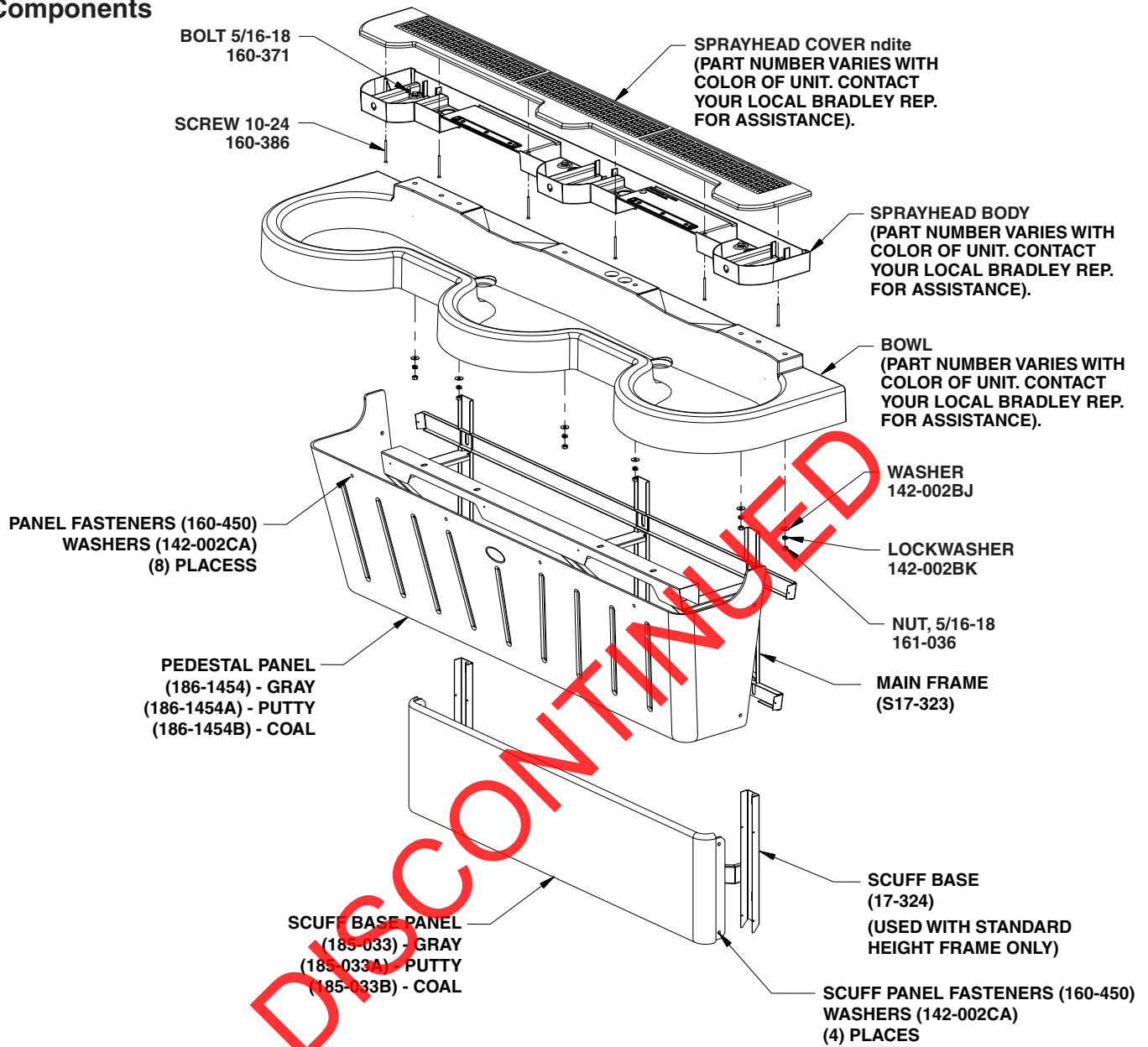
Special Note for Sprayhead/Bowl retrofit

to retrofit new SS-3N sprayhead onto existing SS-3 bowl

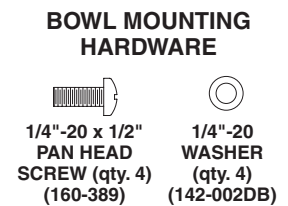
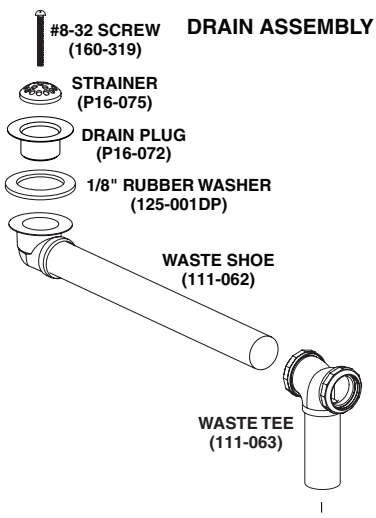
DISCONTINUED



Components



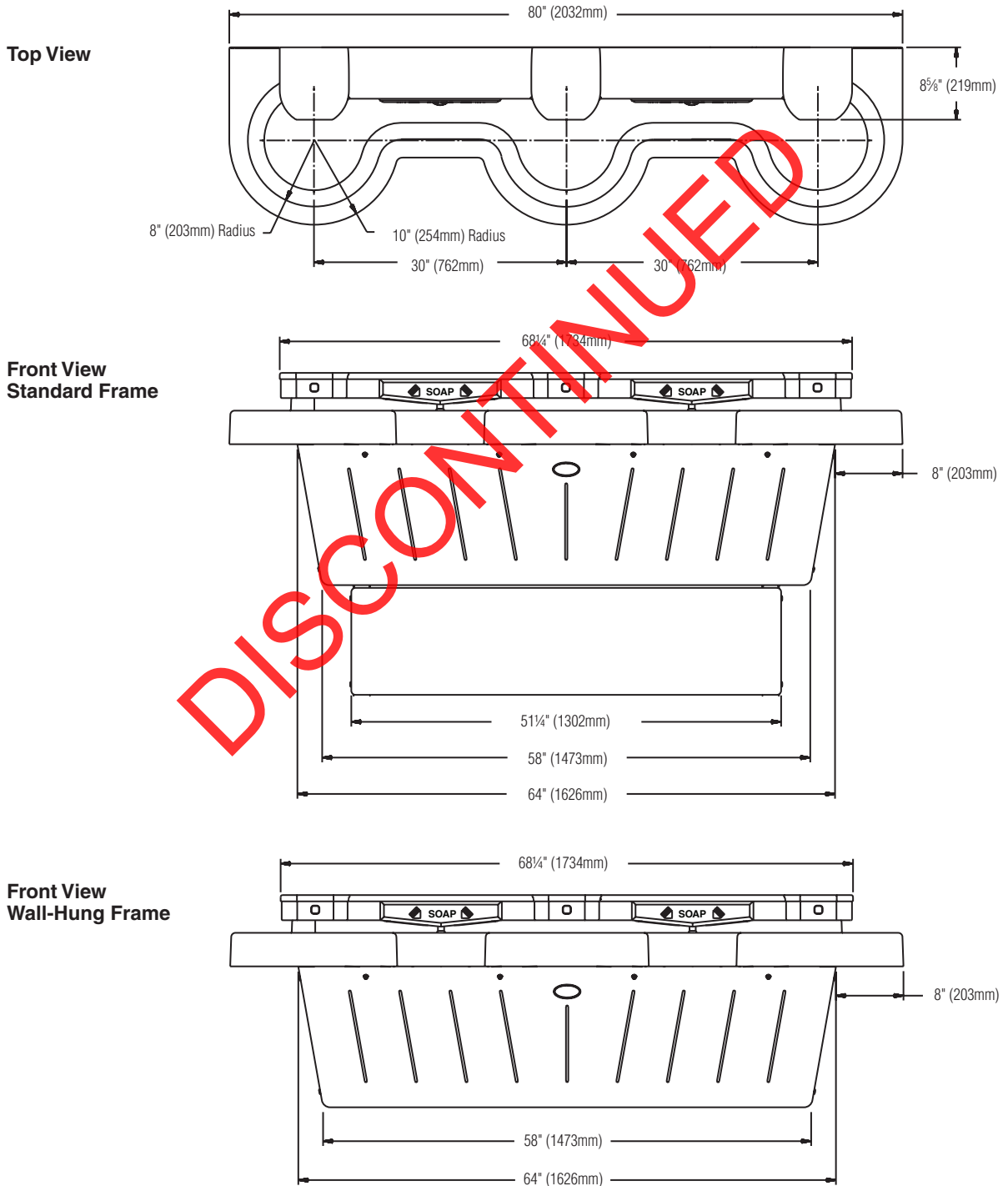
DISCONTINUED



Supplies Required:

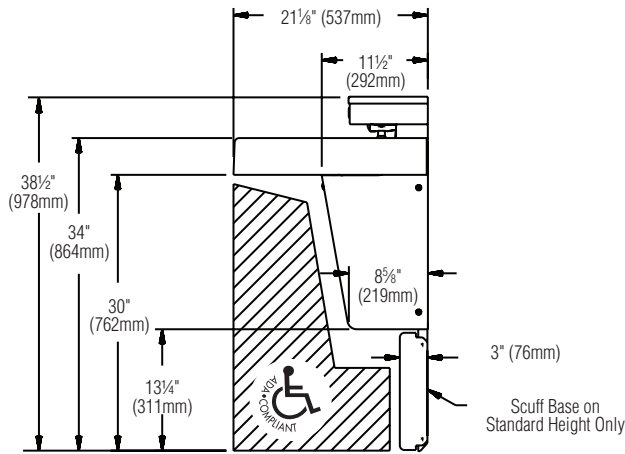
- (10) 3/8" wall anchors, bolts and 1" min. O.D. washers to mount main frame and bowl to wall (minimum pull-out rating of 1,000 lbs.)
- STD. HEIGHT ONLY: (2) 3/8" wall anchors, bolts and 1" min. O.D. washers to mount scuff base to wall
- 1/2" nominal copper tubing for hot and cold supplies and 1 1/2" NPT drain piping

Dimensions - Front and Top Views

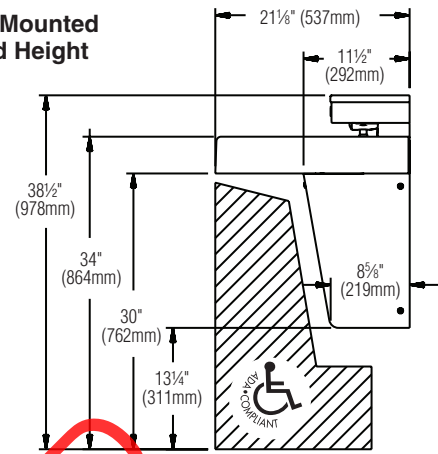


Dimensions - Side Views

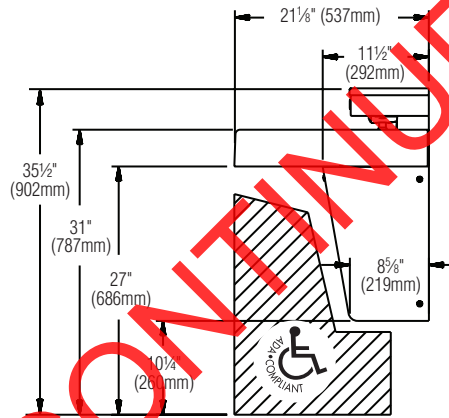
Standard Height



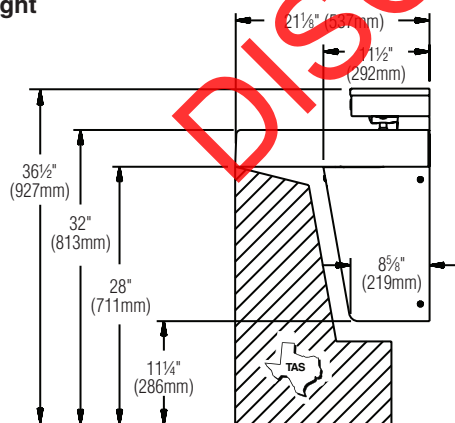
Wall Hung Mounted at Standard Height



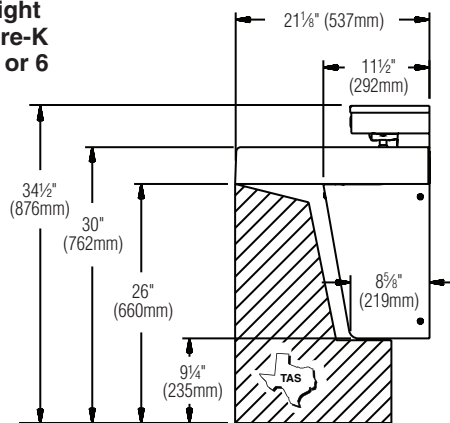
Wall Hung Mounted at Juvenile Height Ages: 6 through 12



Wall Hung Mounted at TAS Height Grades: 6 through 8 or 9

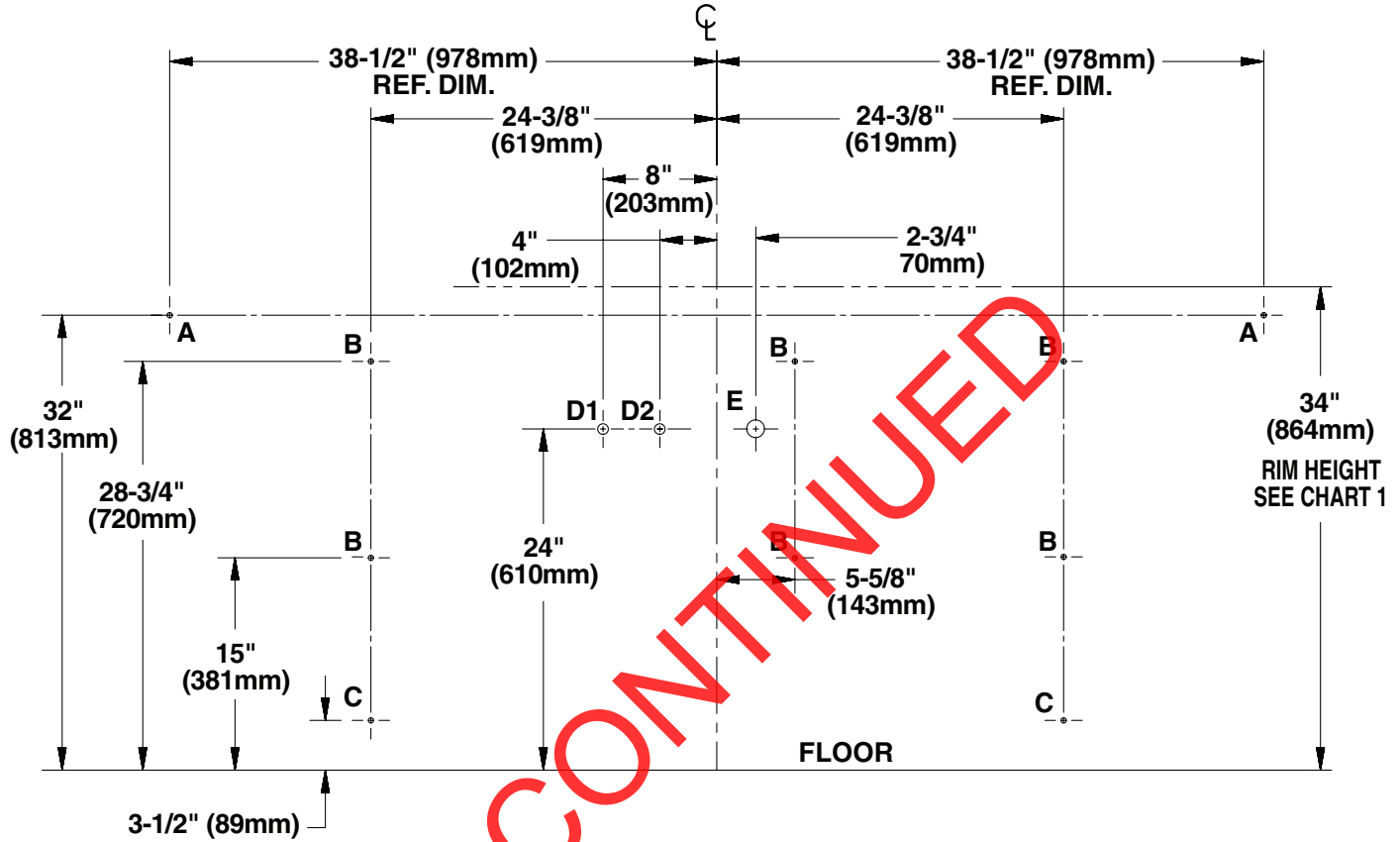


Wall Hung Mounted at TAS Height Grades: Pre-K through 5 or 6



1 Rough-Ins

MOUNTING FOR STANDARD AND WALL HUNG HEIGHTS ARE SHOWN



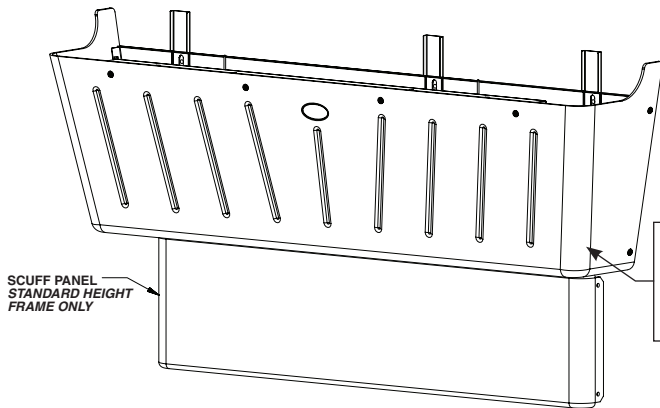
CODE	DESCRIPTION	QTY.
A	3/8" Wall Anchors with a minimum pull-out force of 1,000 lbs. for Bowl	2
B	3/8" Wall Anchors with a minimum pull-out force of 1,000 lbs. for Mainframe	6
C	3/8" Wall Anchors for Base Frame, Standard Frame option only, minimum pull-out force not required	2
D1	1/2" nominal copper tubing for Hot Supply, stub-out 2" from wall	1
D2	1/2" nominal copper tubing for Cold or Tempered Supply, stub-out 2" from wall	1
E	1 1/2" NPT Drain, stub-out 2" from wall	2
F	On the bowl back, measure the distance between the 3/4" bowl mounting holes. Divide this measurement in half. Measure and mark this dimension on the wall to the left and the right of the centerline. Install two 3/8" wall anchors with a minimum pull-out rating of 1,000 lbs (supplied by installer) at locations marked.	2

RIM HEIGHT	VERTICAL HEIGHT ADJUSTMENTS FOR CODES A-E, H, C and W	FIXTURE STYLE
34"	None	Standard Height
34"	None	Wall-Hung
32"	Subtract 2"	TAS, Grades 6 through 8 or 9
31"	Subtract 3"	Juvenile Height
30"	Subtract 4"	TAS, Pre-K through Grades 5 or 6

2 Mount Frame to Wall

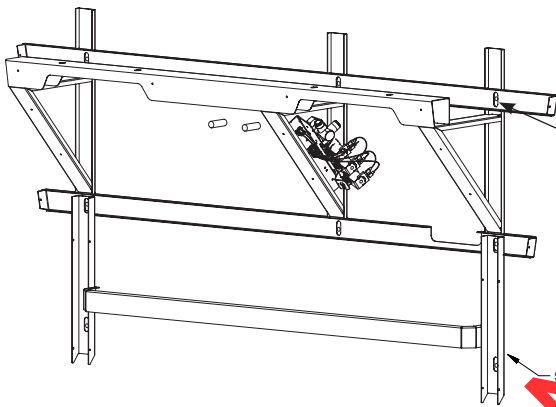


Anchoring the frame to a wall that is not flat may cause the frame to bend, making it difficult to reinstall the access panels. If necessary, use shims to compensate for wall distortion.



SCUFF PANEL
STANDARD HEIGHT
FRAME ONLY

A Using a T20 torx key, remove the fasteners securing the access panel to the main frame, and remove the panel.



SCUFF BASE FRAME
STANDARD HEIGHT
FRAME ONLY

B Once you have positioned the frame such that it is level and flat against the wall or shimmed, mount the frame to the wall at six places using $\frac{3}{8}$ " bolts and 1" min. O.D. washers.

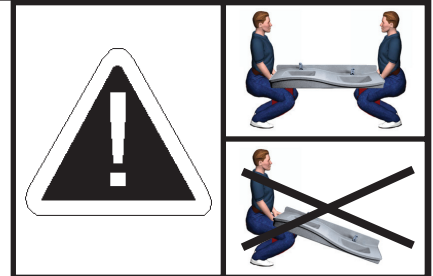
NOTE: When mounting the standard height frame, mount the scuff base to the wall at the same time using two additional $\frac{3}{8}$ " bolts and washers.

3 Install Bowl

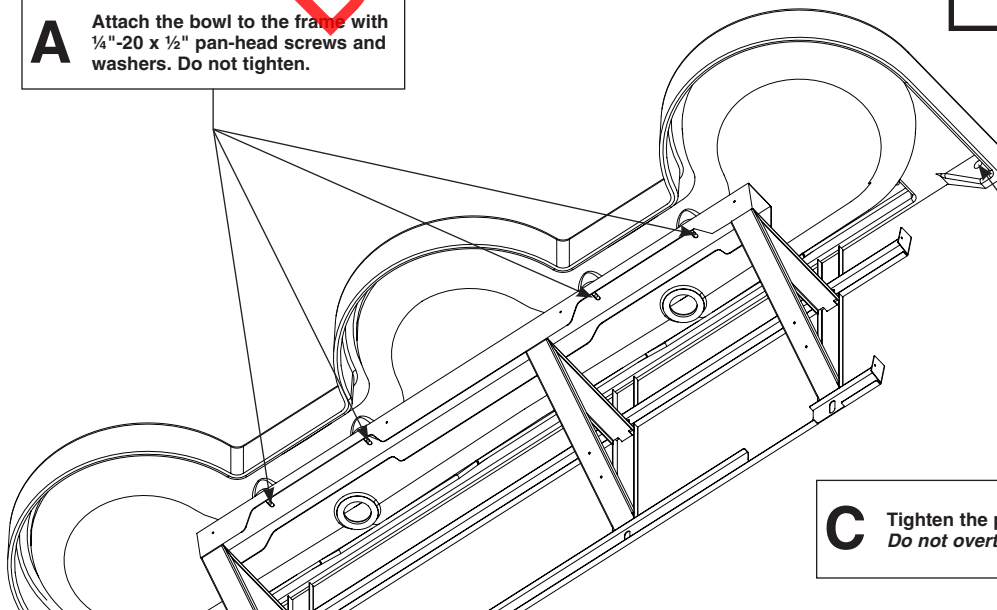


The spray head body has slotted holes for adjusting the fit-up with the bowl and wall.

For clarity, the scuff base frame and drain are not shown. Turn the tailpiece down to its proper position before installing the bowl.



A Attach the bowl to the frame with $\frac{1}{4}$ "-20 x $\frac{1}{2}$ " pan-head screws and washers. Do not tighten.



B Secure the bowl to the wall anchors with $\frac{3}{8}$ " bolts and 1" min. O.D. washers, two places. Do not overtighten.

C Tighten the pan-head screws. Do not overtighten.

4a Connect the Supply — Hot and Cold Supply

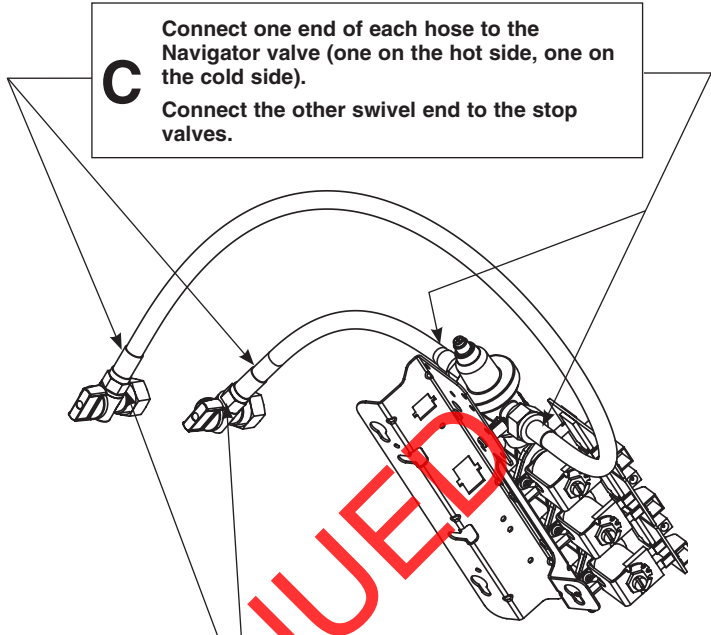


The letter "H" on the Navigator Mixing Valve indicates hot water supply inlet.

C Connect one end of each hose to the Navigator valve (one on the hot side, one on the cold side).
Connect the other swivel end to the stop valves.

A Loosen but do not remove the two mounting screws holding the valve bracket to the frame.
Slide the valve bracket up and lift it from the frame.

B Attach the stops to the hot and cold water wall stub-outs.



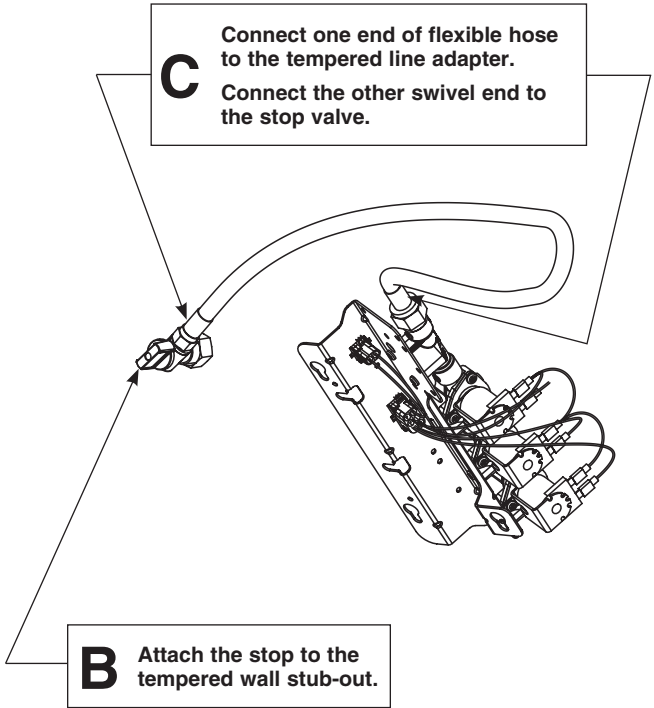
4b Connect the Supply — Single Tempered Supply

DISCONTINUED

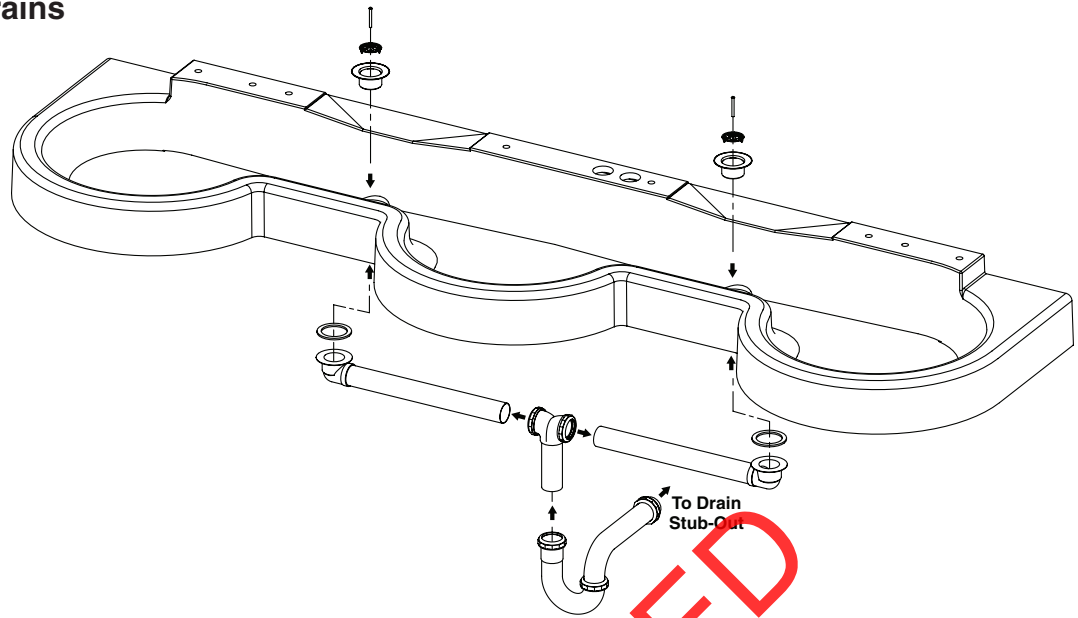
C Connect one end of flexible hose to the tempered line adapter.
Connect the other swivel end to the stop valve.

A Loosen but do not remove the two mounting screws holding the valve bracket to the frame.
Slide the valve bracket up and lift it from the frame.

B Attach the stop to the tempered wall stub-out.

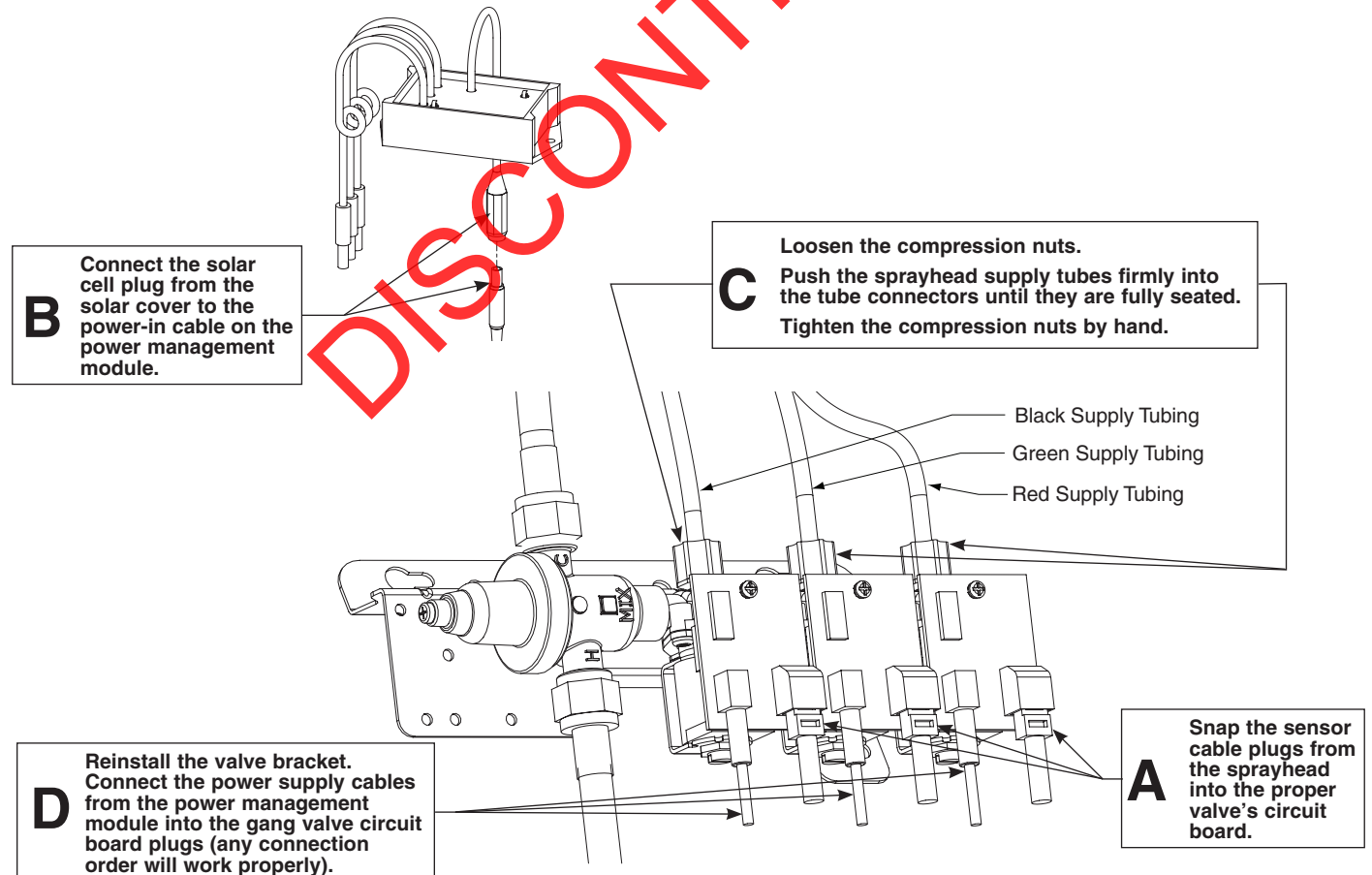


5 Install the Drains



6 Connect Electrical and Sprayhead Supplies

⚠ WARNING: The SS-3N/NDT Express® must be connected to the NDITE power management module. Connection to 110 VAC can cause personal injury and will result in damage to the electronics.

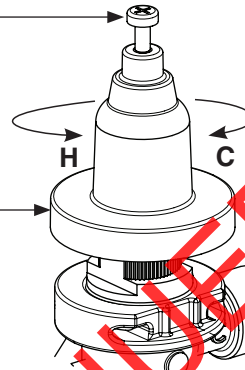


7 Adjust the Temperature

This valve is NOT factory preset. Upon installation, the temperature of this valve must be checked and adjusted to ensure delivery of a safe water temperature. Water in excess of 110°F (43°C) may cause scalding.

A Loosen the cap screw about ¼" (4–6 turns) and lift up the cover (do not remove).

B Using the cover, turn the cartridge gently until desired water temperature is reached. Do not turn past stops as this may damage the unit. Push the cover down and tighten the screw.



C Turn on the water supply and check for leaks. After 60 minutes at 700 LUX, the system should be ready to operate. Pass your hand in front of each station's sensor until all the air is purged from the lines and water is flowing smoothly. Reinstall the access panel.

DISCONTINUED

Troubleshooting – ndt Components

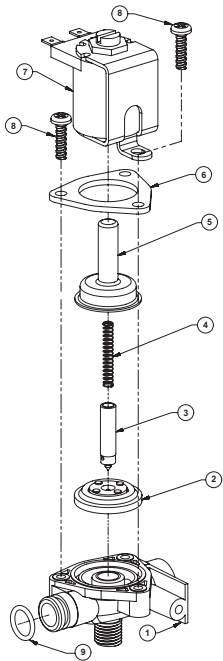


NDITE technology requires a minimum of 400 LUX to operate. Before proceeding make sure all of the lights in the room are operating and that there are no obstructions blocking the light hitting the surface of the sprayhead. If available, use a light meter to measure the amount of light on the surface of the Lavatory System sprayhead. Also check for severe vandalism or other physical damage to the sprayhead.

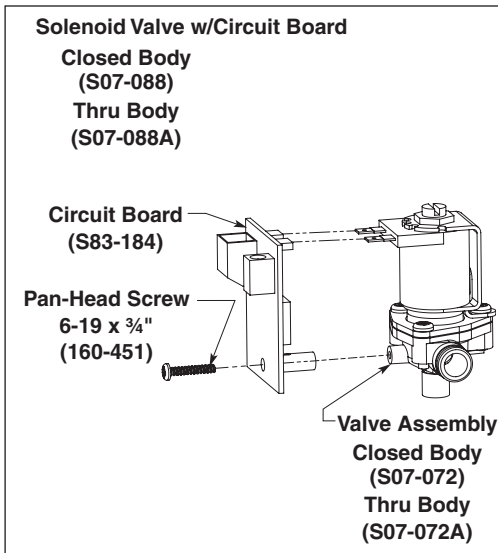
Leave the lights in the room on for approximately four hours to fully charge the system before operating. If there is inadequate lighting in the location where the unit is installed, add additional lighting or convert the system to battery power. Contact Bradley and order Battery Pack Kit S45-2083 (one per station).

Problem	Cause	Solution
Water will not shut off.	Water pressure is too low.	Test for proper water pressure. The Express Lavatory Systems operating specifications require a water pressure of between 20- 80 PSI at the connection to the fixture. If the pressure is above 80 PSI the valve may not operate. When verifying water pressure always use a reliable pressure gauge at the connection to the fixture.
	Faulty solenoid valve.	Test station; replace solenoid valve if required. 1. Disconnect the plug from the power management module to the circuit board of the problem valve. Remove the three #8 Phillips-head screws that hold the solenoid valve assembly together. Be careful not to lose the armature or spring. 2. Remove the diaphragm. Remove any particles that are trapped between the diaphragm and the valve seat. Rinse off the diaphragm and inspect for damage. Make sure the center orifice and both small side orifices are open. 3. Reassemble in reverse order, being careful not to over tighten the Phillips-head screws or the plastic valve body may crack. Tighten until the armature plate makes contact with the plastic body. 4. Reconnect the power plug. Turn on water supply to the unit.
Water in multiple stations will not activate.	Inadequate lighting.	Test for adequate lighting. NDITE technology requires a minimum of 400 LUX to operate. Before proceeding make sure all of the lights in the room are operating and that there are no obstructions blocking the light hitting the surface of the sprayhead. If available, use a light meter to measure the amount of light on the surface of the Lavatory System sprayhead. Also check for severe vandalism or other physical damage to the sprayhead. If there is inadequate lighting available in the location where the unit is installed, add additional lighting. If additional lighting is unavailable, the system may be converted to battery power. Contact Bradley and order Battery Pack Kit S45-2083 (one per station).
	Improper water pressure.	Test for proper water pressure. The Express Lavatory Systems operating specifications require a water pressure of between 20- 80 PSI at the connection to the fixture. If the pressure is above 80 PSI the valve may not operate. When verifying water pressure always use a reliable pressure gauge at the connection to the fixture. If water pressure is high but not above 80 PSI the following may be raising the pressure: circulation system , booster pumps orundersized or no expansion tank. If any of this equipment is raising the pressure above the specified pressure levels it will be characterized by the system working for a short time after the supply connections are made and then stopping.
	No power to the sensor board.	Check for power to the sensor board. 1. Remove the front cover from the fixture. 2. Wave your hand in front of the sensor window, one station at a time, while looking at the sensor boards below the fixture. A light should flash on the sensor board when each station is activated. 3. If no light flashes, test the output from the photovoltaic cells with a multimeter (available from most home improvement stores and professional supply distributors).
	Improper output from voltaic cells.	Test output from photovoltaic cells. 1. Test the output from the photovoltaic cells with a multimeter (available from most home improvement stores and professional supply distributors). NOTE: The electrical system on NDITE powered Lavatory Systems is low voltage and low amperage. 2. With the room lighting on, unplug the cord running from the photovoltaic cells to the power management module. Touch the red multimeter probe to the red side of the plug and the black multimeter probe to the black side of the plug. With the Multimeter in the DC Volts setting, it should have a reading of 6 volts or more. If the reading is under 6 volts, doublecheck the room lighting levels. If the reading is over 6 volts and the system will not operate, replace the NDITE power management module.
Water in one station will not activate.	Faulty sensor eyes.	Test sensor eyes and replace, if necessary. Disconnect the sensor cable from the circuit board of the problem valve. Disconnect the sensor cable from the circuit board of an adjacent working valve. Connect the sensor cable from the adjacent working valve to the problem valve. Activate the problem station's sensor. The station should turn on. If it turns on and cycles normally, replace the eyes in the problem station.
	Problem with control boards.	Test the control boards and replace the battery, if necessary. Disconnect the plug from the power supply to the circuit board of the problem valve. Disconnect the plug from the power supply to the circuit board of a working adjacent valve. Connect the power plug from the adjacent working valve to the problem valve. Wait for ten seconds. Activate the problem station's sensor ten times. The station should turn on. If it turns on, and cycles normally, replace the batteries in the problem station.

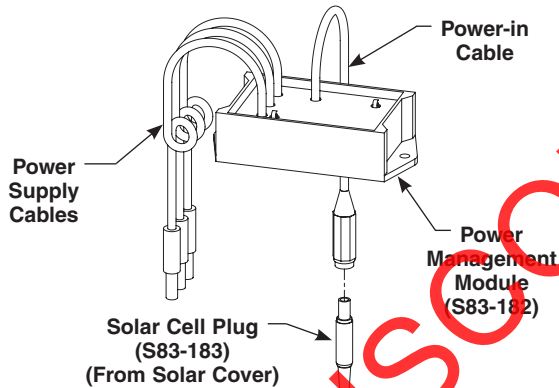
Solenoid Valve: Part nos. S07-072 (closed body) & S07-072A (thru body)



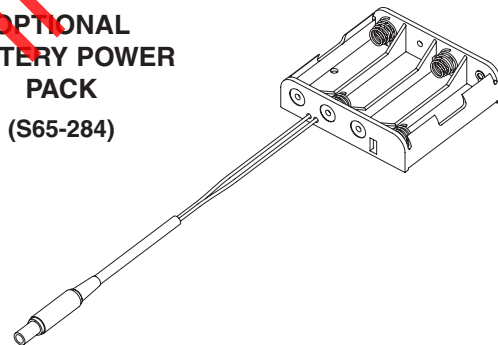
Turn off water supplies to the unit before troubleshooting.



Item	Qty.	Part No.	Description
1	1	118-307	Valve Body, 1/4" Closed
1	1	118-307A	Valve Body, 1/4" Thru
2	1	269-983	Diaphragm
3	1	192-017	Armature
4	1	135-093	Spring
5	1	269-1729	Armature Housing
6	1	269-1730	Clamp, Armature Housing
7	1	269-1731	Coil, Solenoid Valve
8	3	160-447	Screw, #8 x 5/8"
9	1	125-165	O-Ring, #2-013



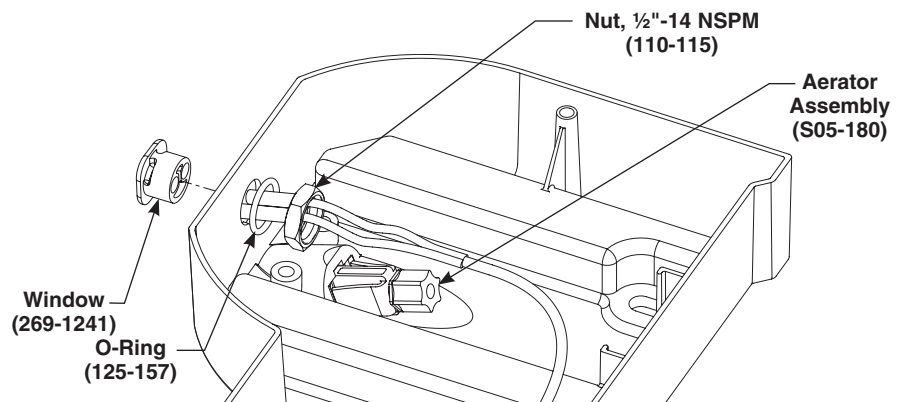
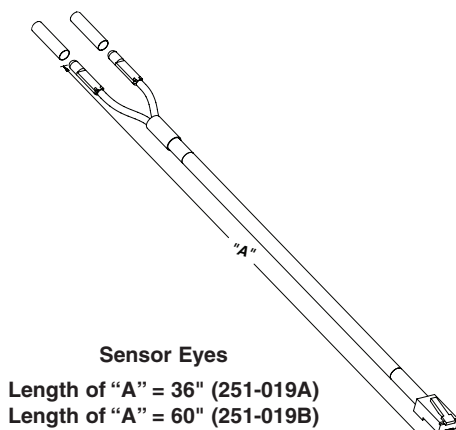
OPTIONAL BATTERY POWER PACK (S65-284)



Sensor assembly and solenoid valve access

- **To access sensors:** Remove the Phillips-head screws located in the bottom of the sprayhead body and lift the Terreon cover/shelf off.
- **To reinstall sprayhead cover/shelf:** Position the cover/shelf on the sprayhead body and secure it to the sprayhead body using the screws provided.

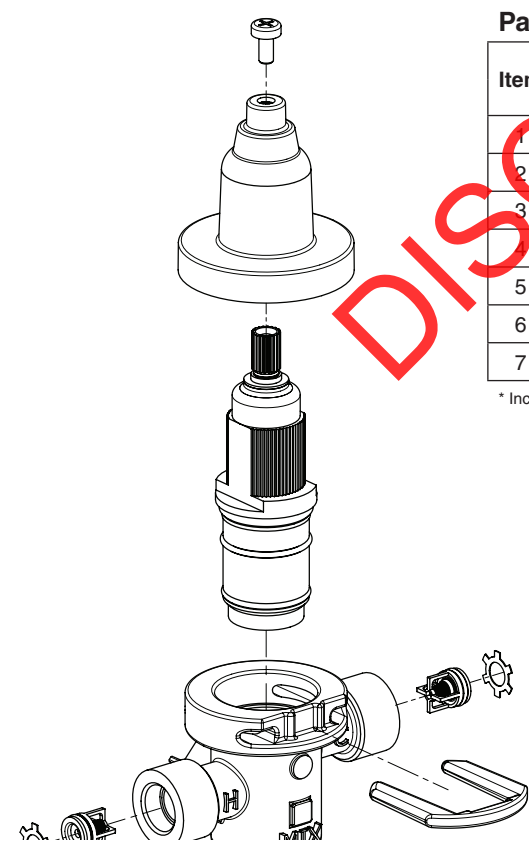
SENSOR ASSY. COMPONENTS



Thermostatic Mixing Valve Troubleshooting

- ⚠** Before attempting to troubleshoot the valve or disassemble the components, check for the following conditions:
- If stop valves are used, make sure that they are fully open.
 - Make sure that the hot and cold inlet pipes are connected properly, and that there are no cross-connections or leaking stop valves.
 - Check the hot water heater output to make sure that it is at least 10° F above the set temperature.
- ☑** Be sure to close the appropriate shut-off valves prior to disassembly of the valve and reopen the valves after inspection and repair is complete.

Problem	Cause	Solution
External leaks.	Damaged cartridge or O-rings.	Replace cartridge with part number 269-1927
Improper water temperature or temperature fluctuation.	Hot water supply is not 10° above desired set point.	Increase hot water supply temperature
	Valve temperature is not properly set.	Adjust the temperature as shown on page 10, step 7.
Limited water flow.	Dirt and debris have built up in the valve or strainer.	1. Check to make sure both hot and cold supplies are connected to the Navigator mixing valve and that they have water flow. 2. Remove cover and U-clip. Remove the cartridge and clean the strainer. It is not required to grease cartridge, however if desired, use silicone grease only. Do not use grease on check valves.



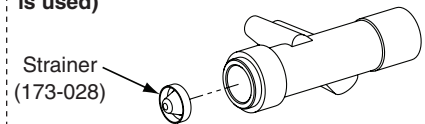
Parts List

Item	Part No.	Description	Quantity		
			S59-4000	S59-4000A	S59-4000BY
1	160-463	Cap Screw	1	1	1
2	117-582	Cover	1	1	1
3	269-1927	Thermostatic Cartridge	1	1	1
4	198-014	Check Valve*	2	2	2
5	132-051	Retaining Ring*	2	2	2
6	118-319	Valve Body	1	1	1
7	146-079	U-Clip	1	1	1

* Included with Prepack S65-326

Tempered Line Adapter Option Part no. S39-804

(replaces S59-4000 if tempered line is used)



Stop Valve Troubleshooting

Problem	Cause	Solution
Water dribbles or does not flow from the sprayhead.	Stop Valves may not be functioning properly.	<ol style="list-style-type: none"> 1. Close the stops and inspect the valves that supply water to the lavatory system. 2. Inspect the stop valves to see that they have been properly installed.
Sprayhead delivers ONLY hot OR cold water.	Stop Valves may not be functioning properly.	<ol style="list-style-type: none"> 1. Close the stops and inspect the valves that supply water to the lavatory system. 2. Inspect the stop valves to see that they have been properly installed. 3. Inspect the thermostatic mixing valve for proper installation and connection to hot and cold supplies.

Cleaning and Maintenance for Terreon®

Material Description: Terreon is an NAHB-certified densified solid surface material composed of polyester resin and is resistant to chemicals, stains, burns and impact. Surface damage can be easily repaired with everyday cleansers or fine grit abrasives.

Routine Cleaning: Clean daily or as often as conditions require using a standard commercial or household cleaner such as Formula 409® or Windex®.

Stubborn Stains: Remove tough stains with Ajax®, Comet®, or Soft-Scrub® and a green Scotch-Brite® pad or lightly sand in a circular motion with 240 grit wet/dry sandpaper. The finish can be renewed with a maroon Scotch-Brite pad.

Special Situations for Terreon Material

Scratches: Remove scratches with a green Scotch-Brite pad. The finish can then be renewed with a maroon Scotch-Brite pad, followed by a white Scotch-Brite pad or 30-micron sandpaper.

Hard Water Deposits: Remove hard water deposits with a mild solution of vinegar and water. Always rinse the unit thoroughly after cleaning.

Restoring the surface: Use Hope's® Solid Surface cleaner and polish to refresh and protect the Terreon Solid Surface material. Bradley recommends additional care and maintenance for the darker colored Terreon. For complete instructions on this additional maintenance, visit bradleycorp.com.

⚠ Do not use strong acid or alkaline chemicals and cleansers to clean Terreon. If these chemicals come in contact with the surface, wipe them off immediately and rinse with soapy water. Avoid contact with harsh chemicals such as paint remover, bleach, acetone, etc. Avoid contact with hot pans and objects.

Repair Kits: Terreon repair kits are available. Contact your Bradley representative or distributor for part numbers and pricing. Repair kits are made to order and have a shelf life of 30 days.

☑ Terreon® is a unique, cast solid surface material. Aggregate flow and distribution as well as shades of color can vary from product to product creating natural characteristics.

Brand Names

Use of brand names is intended only to indicate a type of cleaner. This does not constitute an endorsement, nor does the omission of any brand name cleaner imply inadequacy. Many products named are regional in distribution, and can be found in local supermarkets, department and hardware stores, or through your cleaning service. It is emphasized that all products should be used in strict accordance with package instructions.

Fill Soap Dispenser



The soap valve will dispense vegetable/coconut oil liquid soaps, synthetic detergents, viscous lotion soaps, and antiseptic solutions. A 10-15% concentration is recommended for vegetable or coconut oil liquid soaps. Before filling, rinse out each soap tank with hot water to remove packing dust. Shake water out thoroughly and allow to dry. **DO NOT OVERFILL!**

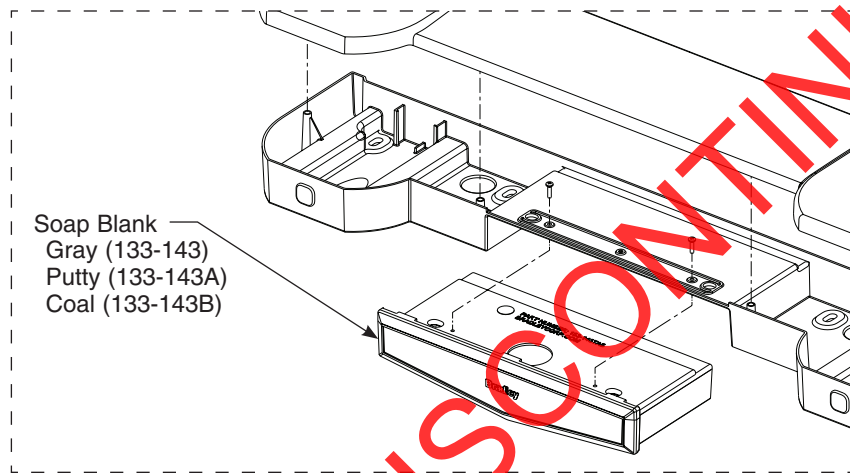
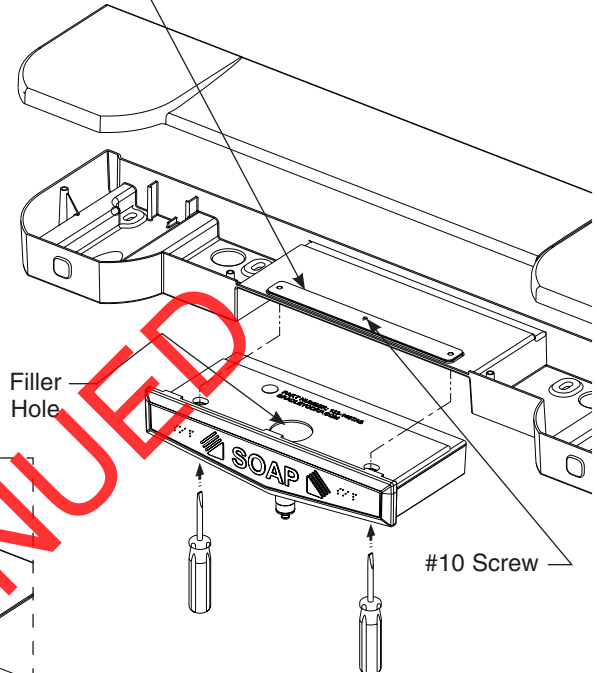
Soap Tank Kits

S65-291 (Gray) includes:	S65-291A (Putty) includes:	S65-291B (Coal) includes:
Gray Tank w/Valve (S11-220)	Putty Tank w/Valve (S11-220A)	Coal Tank w/Valve (S11-220B)
Leaf Spring (S39-350)	Leaf Spring (S39-350)	Leaf Spring (S39-350)
Screw (160-385)	Screw (160-385)	Screw (160-385)

Soap Valve Repair Kit (S65-258) (includes Nut, Spring, Washer and Plunger)



Leaf Spring will engage when soap tank is pushed into place.



Soap Blank
Gray (133-143)
Putty (133-143A)
Coal (133-143B)

Clean Soap Dispenser



Do not use abrasive cleansers to clean the soap tank. Abrasive cleaners can damage the surface.

Regular cleaning of the soap dispenser is recommended to ensure optimum performance and maximum service life. Cleaning the soap dispenser monthly to remove soap residue, dirt, and other accumulations should become a regular part of your washroom cleaning routine and general maintenance program.

Clean exterior: Use warm water and soap to clean the exterior of the soap dispenser. Dry with a soft cloth.

Clean interior: Inspect the interior of the tank for residue or coagulation of soap. If necessary, clean the tank according to the following procedure:

1. Pour out any remaining soap in the tank.
2. Full the tank half-full of hot water and shake the tank to dislodge the soap residue.
3. Empty the water from the container and repeat steps 1 and 2 until the soap container is clean.



If rinsing alone does not remove the soap residue, place a small chain (24 inches long) into the tank with hot water and shake the container until the chain dislodges the residue. Then remove the chain and rinse out the tank.

Clean internal components: Pump hot water through the soap dispenser until a clean flow of water comes out of the valve.



To change soap, pour out all of the soap from the dispenser and rinse with hot water several times until all residue is removed. Pump the valve until clean water appears. Rinse the dispenser with ethyl alcohol; air dry before refilling.