



EXD-2N, EXD-3N Express® Deck Lavatory System – EXD-Series

- ADA and TAS Compliant
- Serves One to Three Users at a Time
- Standard Lavatory Spacing on 30" Centers
- Continuous Bowl is Constructed of Terreon® or Terreon®RE Solid Surface Material
- Select a Bradley Faucet or faucet by others
- Available in a variety of colors

Specifications

Accommodates one to three users. Units handle washroom traffic quickly and economically, while providing each user with personal space. The Express® Deck System is designed with standard lavatory spacing positioned on 30" centers.

Construction

Bowl

Constructed of Terreon, a densified solid surface material composed of a bio-based resin, or TerreonRE, a densified solid surface material composed of a bio-based resin and preconsumer recycled granules. Terreon and TerreonRE are resistant to chemicals, stains, burns and impact. Surface damage can be easily repaired with everyday cleansers or fine grit abrasives. Terreon and TerreonRE are certified by Home Innovation Lab to meet CSA B45.5/IAPMO Z124. Terreon and TerreonRE are GREENGUARD® certified as low-emitting materials.

Access Panel

Panel is composed of high impact polymer. Highly resistant to impact, abrasion and corrosion. The panel will not chip, peel or flake.

Support Frame

Bowl assembly and access panel are secured to a heavy gauge stainless steel support frame mounted to wall.

Vandal Resistance

Water supplies, valving, waste assembly and other optional items are concealed within the pedestal/frame.

Code Compliance and Certifications

ANSI Standards

Terreon and TerreonRE are Home Innovation Lab certified to meet CSA/B45.5/IAPMO Z124.

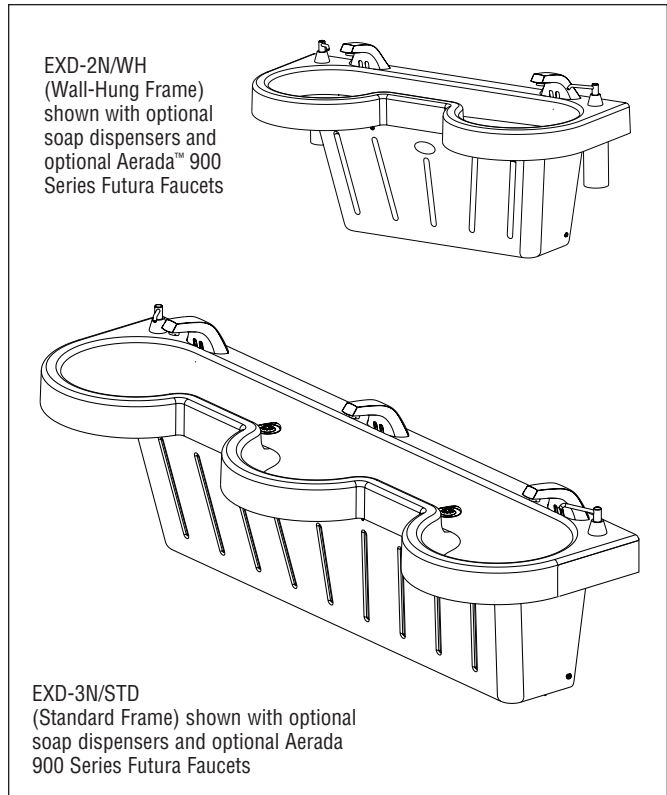
cUPC Approval

Express Lavatory Systems are Uniform Plumbing Code (UPC), International Plumbing Code (IPC) and National Plumbing Code of Canada (NPC) approved through the International Association of Plumbing and Mechanical Officials (IAPMO). Manufactured in compliance with IGC 156, CSA B45 Series (R08) & ASME A112.18.1/CSA B125.1.

- This plumbing fixture is designed for hand washing only. It is not Intended to dispense water for human consumption through drinking or for preparation of food or beverages.
- Standard product selections contained within this document are third party **CERTIFIED** to NSF/ANSI 372 meeting the Lead-Free content requirement. Any product configured with custom options will be **COMPLIANT** with NSF/ANSI 372 meeting the Lead-Free content requirement.

Verify all rough-in dimensions prior to installation.
Consult local and national codes. Conformity and compliance to local and national codes is the responsibility of the installer.

Page 1 of 6 6/11/2018
This information is subject to change without notice.
Bradley_Sink_Express_EXD-2N_3N



Standard Frame

The standard frame on the Express® EXD-Series includes a scuff base and is designed to comply with all ADA guidelines on reaches, clearances and operation for adult users.

Wall-Hung Frame

The wall-hung frame on the Express® EXD-Series (less scuff base above) is designed to mount at different heights (adult and children) to comply with guidelines on reaches, clearances and operation for various codes including, ADA Accessibility Guidelines for Buildings and Facilities (ADAAG) and TAS (Texas Accessibility Standards). Always check your local and state codes.

Standard Equipment

Bowl with two or three lavatories, pedestal, stainless steel mounting frame (as described above), and the following fittings: P-trap; tailpiece.



For more information on faucets, valves, transformers, cabinets, and the sensor-operated soap dispenser, please visit bradleycorp.com.

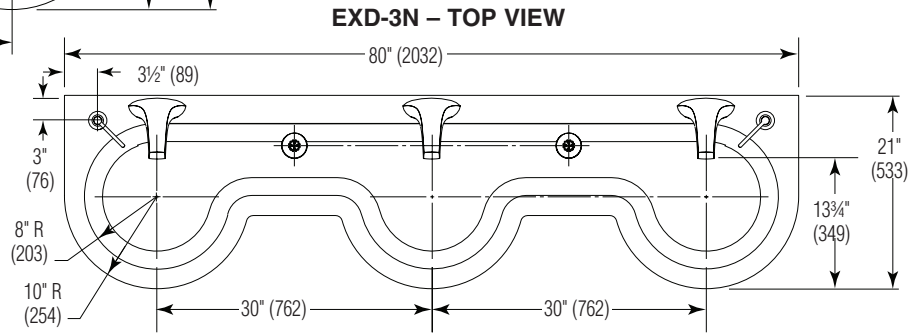
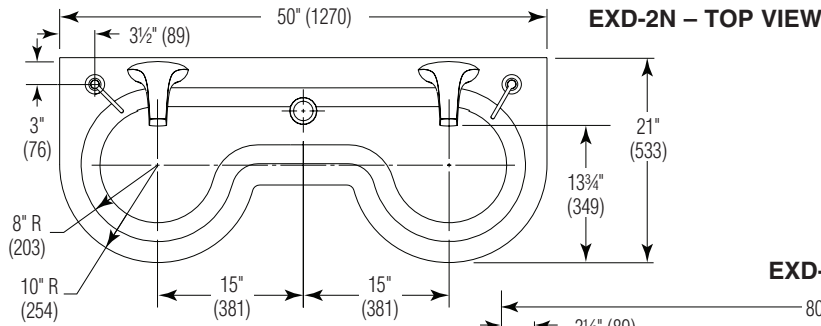
© 2018 Bradley
P.O. Box 309, Menomonee Falls, WI 53052-0309
800 BRADLEY (800 272 3539) +1 262 251 6000
bradleycorp.com



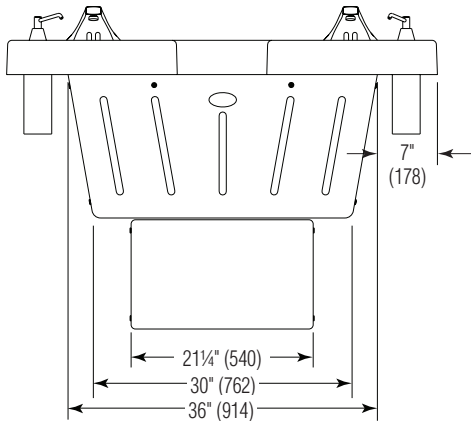
EXD-2N, EXD-3N Express® Deck Lavatory System – EXD-Series

Dimensions

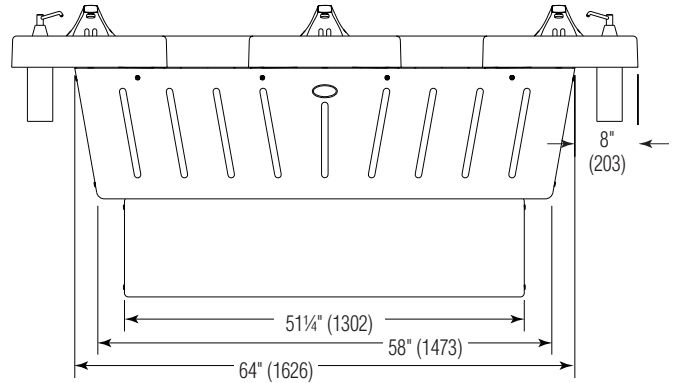
(mm)



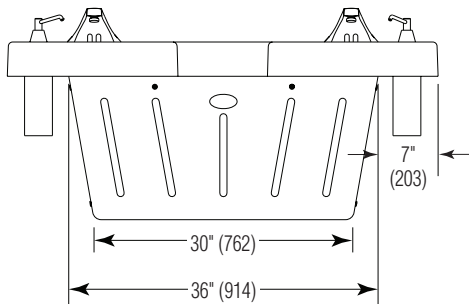
EXD-2N – FRONT VIEW – STANDARD FRAME



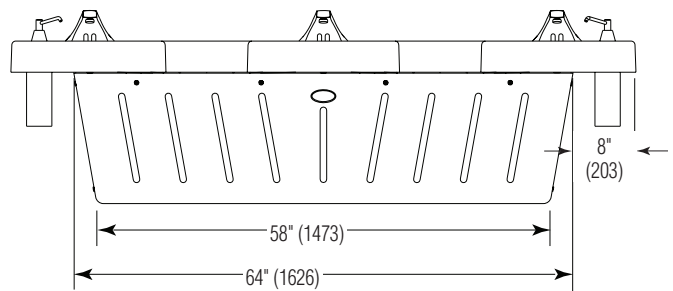
EXD-3N – FRONT VIEW – STANDARD FRAME



EXD-2N – FRONT VIEW – WALL-HUNG FRAME



EXD-3N – FRONT VIEW – WALL-HUNG FRAME



Verify all rough-in dimensions prior to installation.
Consult local and national codes. Conformity and compliance to local and national codes is the responsibility of the installer.

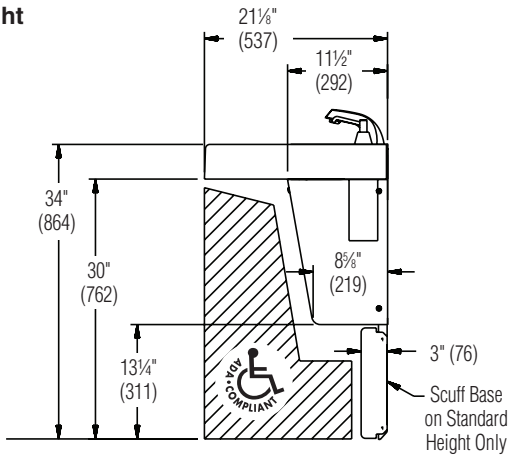


EXD-2N, EXD-3N Express® Deck Lavatory System – EXD-Series

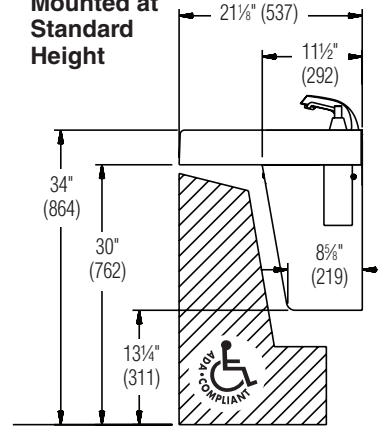
Dimensions – Side View

(mm)

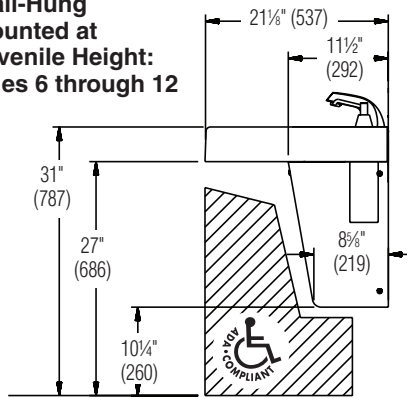
Standard Height



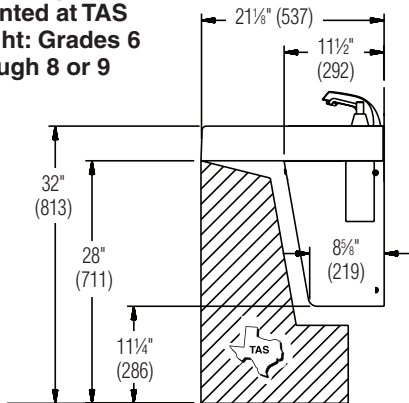
Wall-Hung Mounted at Standard Height



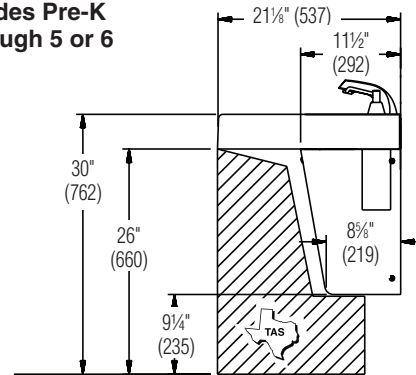
Wall-Hung Mounted at Juvenile Height: Ages 6 through 12



Wall-Hung Mounted at TAS Height: Grades 6 through 8 or 9



Wall-Hung Mounted at TAS Height: Grades Pre-K through 5 or 6



Verify all rough-in dimensions prior to installation.
Consult local and national codes. Conformity and compliance to local and national codes is the responsibility of the installer.



EXD-2N, EXD-3N Express® Deck Lavatory System – EXD-Series

Model EXD-2N – Mounting for Standard and Wall-Hung Heights are Shown

(mm)

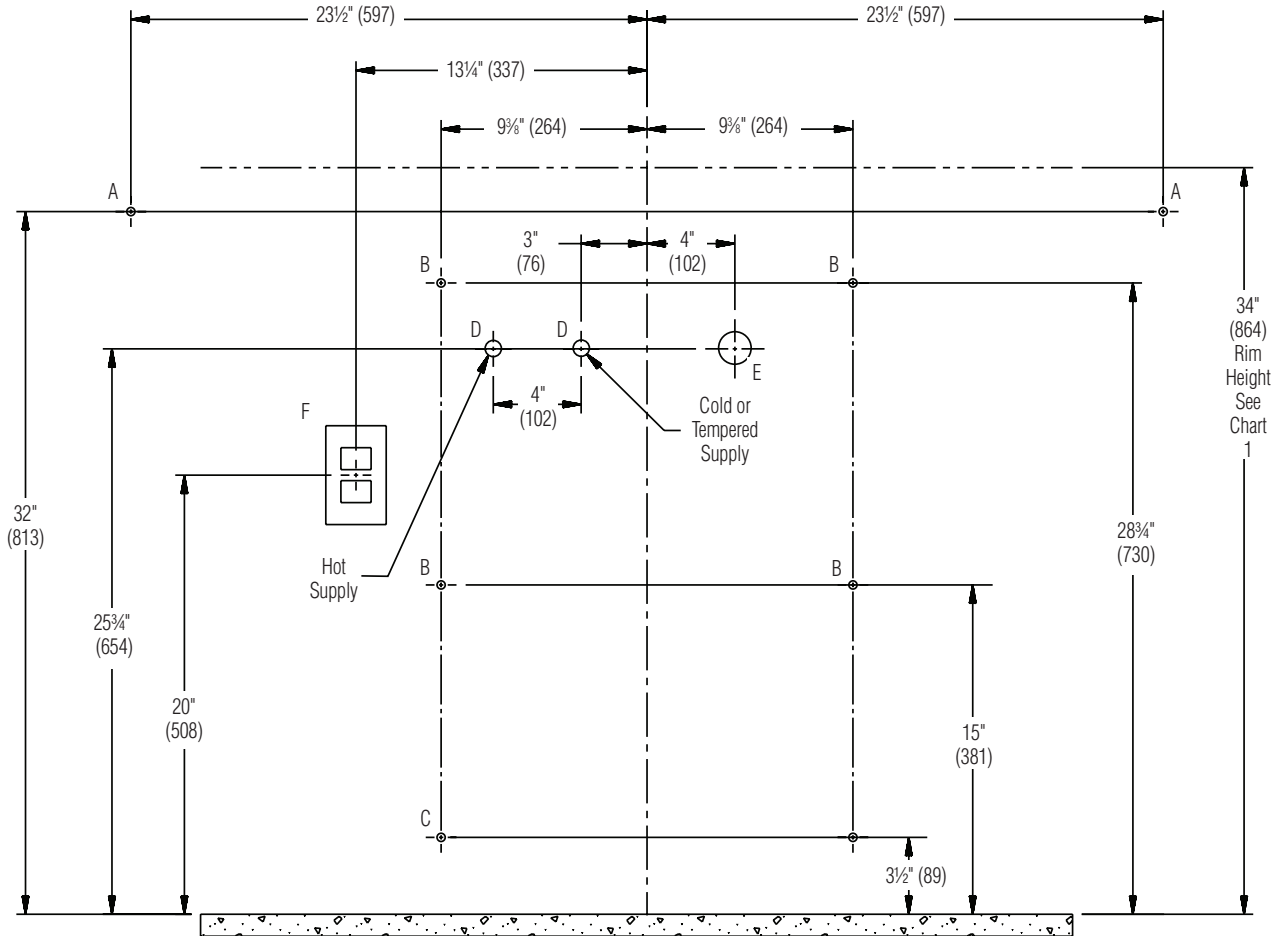


CHART 1

RIM HEIGHT	VERTICAL HEIGHT ADJUSTMENTS A – H	FIXTURE STYLE
34"	None	Standard Height
34"	None	Wall-Hung
32"	Subtract 2"	TAS, Grades 6 through 8 or 9
31"	Subtract 3"	Juvenile Height
30"	Subtract 4"	TAS, Pre-K through 5 or 6

CHART 2

CODE	DESCRIPTION	QTY.
A	3/8" Bowl Wall Anchors with a Min. Pull-Out Force of 1000 lbs.	2
B	3/8" Main Frame Wall Anchors with a Minimum Pull-Out Force of 1000 lbs.	4
C	3/8" Base Frame Wall Anchors with a Min. Pull-Out Force of 1000 lbs. Standard Frame Option Only.	2
D	1/2" Nominal Copper Tubing for Hot/Cold Supplies, Stub-Out 2" from Wall	2
E	1 1/2" NPT Drain, Stub-Out 2" from Wall	1
F	110V GFCI Protected Elec. Outlet	1

Verify all rough-in dimensions prior to installation.
Consult local and national codes. Conformity and compliance to local and national codes is the responsibility of the installer.

Page 4 of 6 6/11/2018
This information is subject to change without notice.
Bradley_Sink_Express_EXD-2N_3N

© 2018 Bradley
P.O. Box 309, Menomonee Falls, WI 53052-0309
800 BRADLEY (800 272 3539) +1 262 251 6000
bradleycorp.com



EXD-2N, EXD-3N Express® Deck Lavatory System – EXD-Series

Model EXD-3N – Mounting for Standard and Wall-Hung Heights are Shown

(mm)

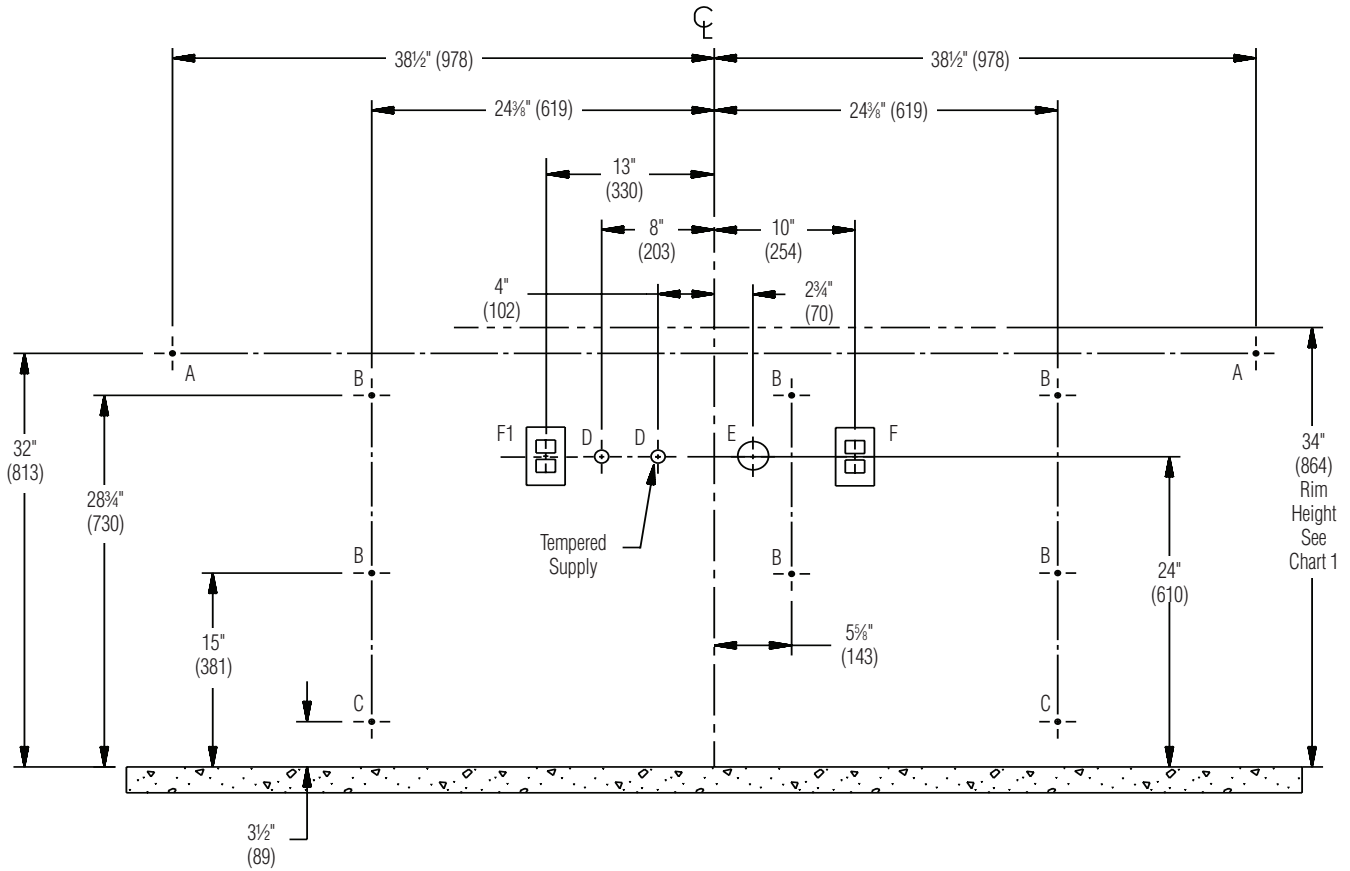


CHART 1

RIM HEIGHT	VERTICAL HEIGHT ADJUSTMENTS A – H	FIXTURE STYLE
34"	None	Standard Height
34"	None	Wall-Hung
32"	Subtract 2"	TAS, Grades 6 through 8 or 9
31"	Subtract 3"	Juvenile Height
30"	Subtract 4"	TAS, Pre-K through 5 or 6

CHART 2

CODE	DESCRIPTION	QTY.
A	3/8" Bowl Wall Anchors with a Min. Pull-Out Force of 1000 lbs.	2
B	3/8" Main Frame Wall Anchors with a Minimum Pull-Out Force of 1000 lbs.	6
C	3/8" Base Frame Wall Anchors with a Min. Pull-Out Force of 1000 lbs. Standard Frame Option Only.	2
D	1/2" Nominal Copper Tubing for Hot/Cold Supplies, Stub-Out 2" from Wall	2
E	1 1/2" NPT Drain, Stub-Out 2" from Wall	1
F	110V GFCI Protected Elec. Outlet	1
F1	110V GFCI Protected Elec. Outlet – OPTIONAL	1

Verify all rough-in dimensions prior to installation.
Consult local and national codes. Conformity and compliance to local and national codes is the responsibility of the installer.

Page 5 of 6 6/11/2018
This information is subject to change without notice.
Bradley_Sink_Express_EXD-2N_3N

© 2018 Bradley
P.O. Box 309, Menomonee Falls, WI 53052-0309
800 BRADLEY (800 272 3539) +1 262 251 6000
bradleycorp.com



EXD-2N, EXD-3N Express® Deck Lavatory System – EXD-Series

Models (Must select one)	
Model	Description
<input type="checkbox"/> EXD-2N	Express Deck Lavatory System, 2-Station
<input type="checkbox"/> EXD-3N	Express Deck Lavatory System, 3-Station
Standard Selections (Must select one from each category)	
Faucet Drilling Type* (select one)	
<input type="checkbox"/> 4" SET	4" Centerset Drilling (1-1/4" Drilling Only)
<input type="checkbox"/> SHANK	Centershank Drilling (1-1/4" Drilling Only)
<input type="checkbox"/> 8" SET	8" Centerset Drilling (1-1/4" Drilling Only)
<input type="checkbox"/> NFD	No Faucet Drilling
Pedestal Type (select one)	
<input type="checkbox"/> STD	Standard Frame - 34" (With Scuff Base)
<input type="checkbox"/> WH	Wall-Hung Frame
Soap Dispenser Type (select one)	
<input type="checkbox"/> 6324	16oz. Plastic Globe, 4" Spout
<input type="checkbox"/> 6324-68	32oz. Plastic Globe, 4" Spout
<input type="checkbox"/> 6315	Sensor-Operated Soap Dispenser (See below for soap options)
<input type="checkbox"/> SDO	Soap Drilling Only
<input type="checkbox"/> NSD	No Soap Dispenser
For 6315 Dispenser (must order as separate line items)	
<input type="checkbox"/> P19-232B	1000-Shot or 27 oz. Lotion Soap with Moisturizer (4 Bottles per Case)
<input type="checkbox"/> P19-232A	2000-Shot or 54 oz. Lotion Soap with Moisturizer (4 Bottles per Case)
<input type="checkbox"/> P19-231F	Plug-In Adapter - 6315 Soap Dispenser
Water Supply Type (select one)	
<input type="checkbox"/> TMA	Navigator® Thermostatic Mixing Assembly (Hot and Cold Supplies - supply hoses and shut-offs included)
<input type="checkbox"/> TL	Single Tempered Line Assembly (Supply hoses and shut-off included)
<input type="checkbox"/> NONE	No Valve Option Selected (Supply hoses and shut-off valves by others)
Color of Terreon® Bowl (select one)	
<i>Standard Colors</i>	
<input type="checkbox"/> ALP-WHT	Alpine White
<input type="checkbox"/> AVALANCHE	Avalanche †
<input type="checkbox"/> BONE	Mesa Bone
<input type="checkbox"/> CHAR	Charcoal Gray
<input type="checkbox"/> COBBLE	Cobblestone
<input type="checkbox"/> DS-WHT	Designer White
<input type="checkbox"/> DRIFT	Driftwood †
<input type="checkbox"/> DUNE	Sand Dune †
<input type="checkbox"/> E-GRAY	Empire Gray
<input type="checkbox"/> GLACIER	Glacier
<input type="checkbox"/> GRAPH	Graphite
<input type="checkbox"/> LANNON	Lannonstone
<input type="checkbox"/> LONDON	London Gray
<input type="checkbox"/> MOONSTONE	Moonstone †
<input type="checkbox"/> O-TAUPE	Organic Taupe
<input type="checkbox"/> PEBBLE	Pebble Beach
<input type="checkbox"/> PEP-WHT	Peppered White
<input type="checkbox"/> POLAR	Polar Ice †
<input type="checkbox"/> SAND	Sandtrap
<input type="checkbox"/> S-CREEK	Stone Creek
<input type="checkbox"/> S-MIST	Silver Mist
<input type="checkbox"/> WHT-SAND	White Sand
<i>Designer Colors* (available at an additional charge)</i>	
<input type="checkbox"/> ARC-CHIP	Arctic Chip
<input type="checkbox"/> COFFEE	Coffee Bean
<input type="checkbox"/> RIVER	Riverstone
<i>TerreonRE Colors* (available at an additional charge)</i>	
<input type="checkbox"/> BIRCH-BARK	Birch Bark
<input type="checkbox"/> DUSK	Dusk
<input type="checkbox"/> MOONDUST	Moon Dust
<input type="checkbox"/> OAT	Oat
Access Panel Type (select one)	
<input type="checkbox"/> COAL	Coal
Optional Selections	
Water Assembly Type:	
<input type="checkbox"/> S-CHROME	Single Chrome-Plated P-Trap
<input type="checkbox"/> S-POLY	Single Polypropylene P-Trap

*Non-cancellable, non-returnable

Verify all rough-in dimensions prior to installation.
Consult local and national codes. Conformity and compliance to local and national codes is the responsibility of the installer.