

Installation Instructions **OBSOLETE**

SS-2/BIR/WH97TAS

Express® Lavatory System SS-Series

Complies with Texas Accessibility Standards (TAS) for Juvenile Height applications.

Table of Contents

Pre-Installation Information	2
Dimensions	3-4
Installation Instructions	5-11
Cleaning and Maintenance	12
Soap Dispenser Maintenance	13-14
Check Valve Troubleshooting	14
Assembly of Components	15-16
Vernatherm™ Mixing Valve	17



IMPORTANT

Read this entire installation manual to ensure proper installation, then file these instructions with the owner or maintenance department.

Flush all the water supply lines before making connections.

Wall anchors used must have a minimum pull-out rating of 1,000 lbs.

Product warranties may be found under "Product Information" on our web site at www.bradleycorp.com.



Pre-Installation Information

Texas Accessibility Standards compliant

The SS-2/BIR/WH97TAS Express® Lavatory System meets Texas Accessibility standards (TAS) for barrier-free clearances, reaches and controls. Always check local codes and ordinances for compliance.

Infrared sensor and battery box

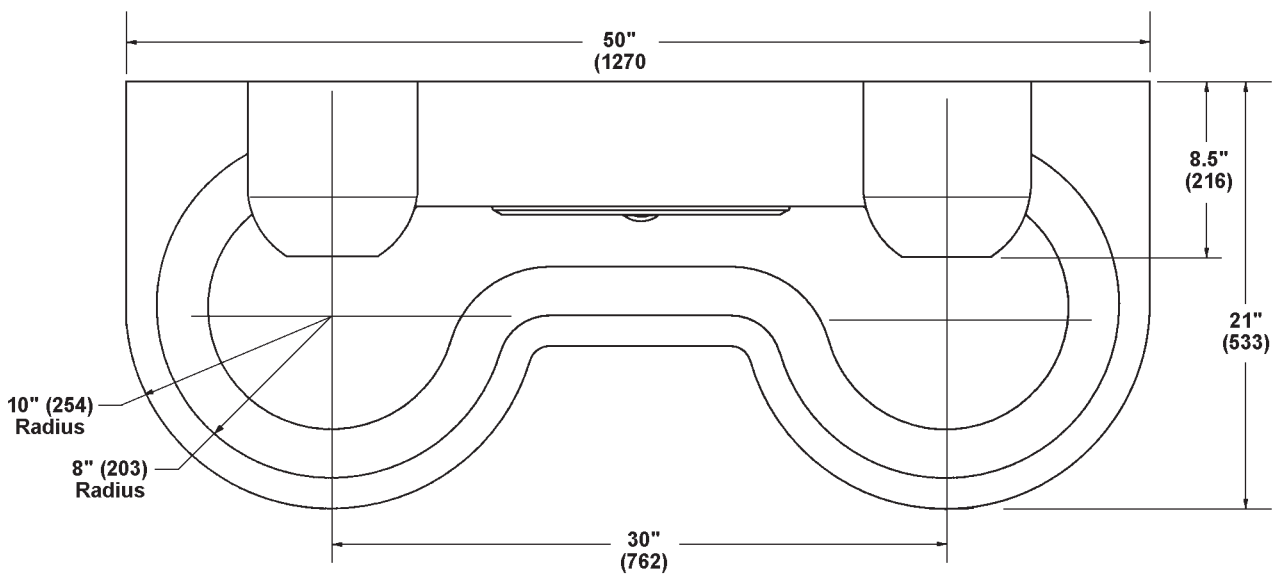
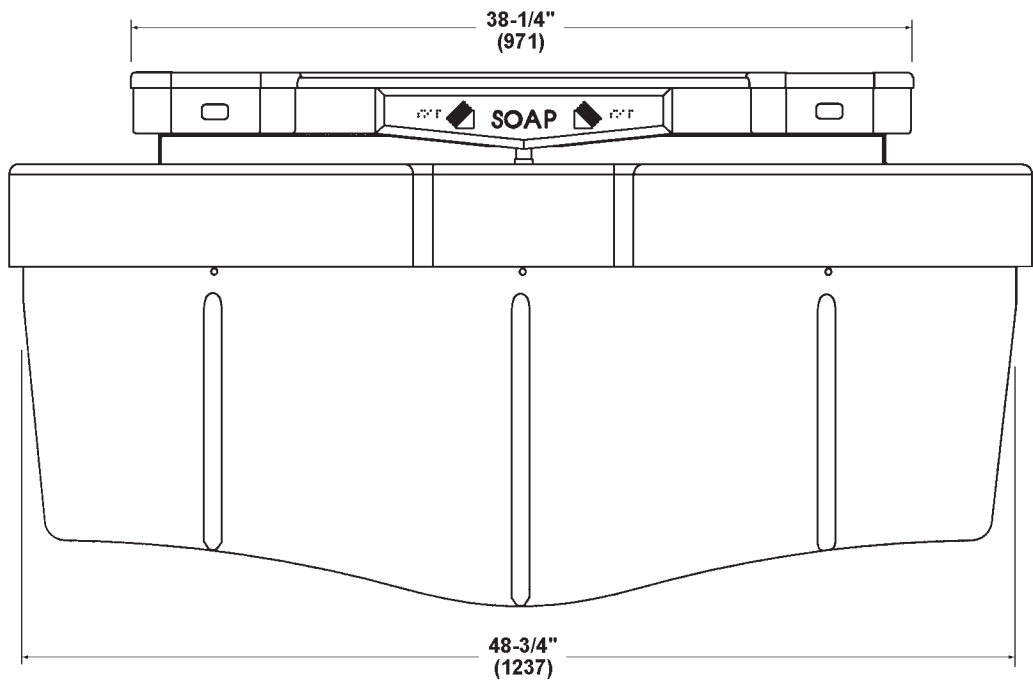
Each sprayhead is controlled by a separate sensor and single-operation control box, enabling each user to activate a single flow of water. Each valve uses less than half the maximum of hot water allowed by the ANSI/ASHRAE/IESNA 90.1-1989-Standard.

Supplies required for installation:

- (8) 3/8" wall anchors, bolts and washers to mount frame and bowl to wall (minimum pull-out rating of 1,000 lbs.)
- 1/2" NPT tempered supply piping
- 1-1/2" NPT drain piping
- (12) "AA" alkaline batteries

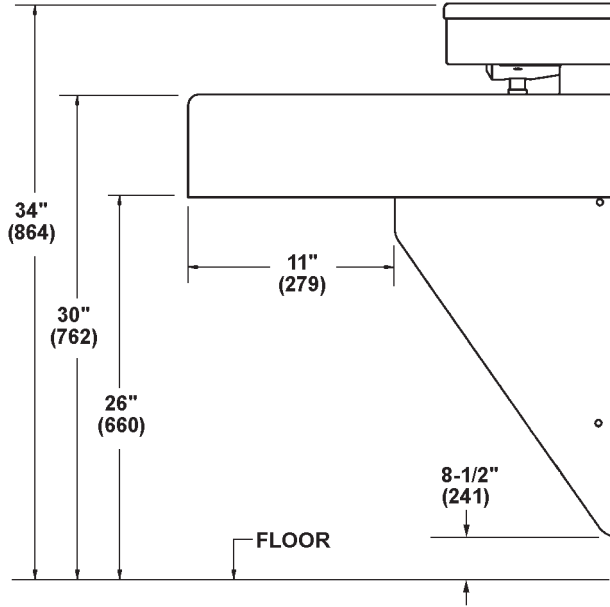
SS-2/BIR/WH97TAS Express® Lavatory System Dimensions

Standard Height Mounting

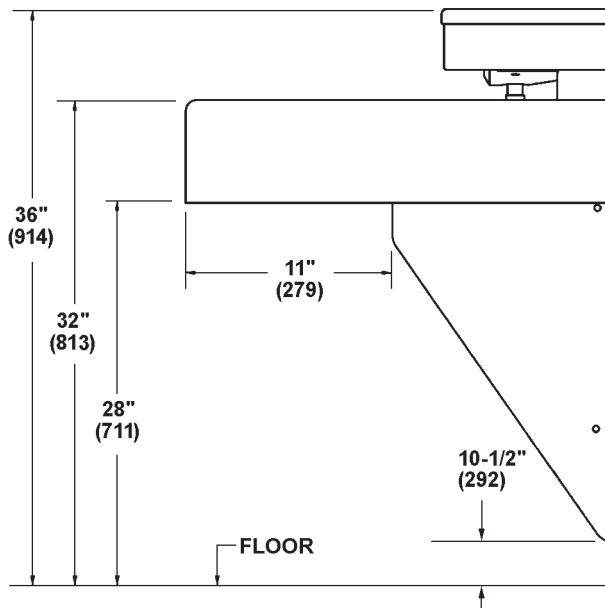


Dimensions *continued* . . .

Juvenile Height
SS-2/BIR/WH97TAS
Grades Pre-K thru 5 or 6



Juvenile Height
SS-2/BIR/WH97TAS
Grades 6 thru 8 or 9



Installation Instructions

Step 1: Rough in

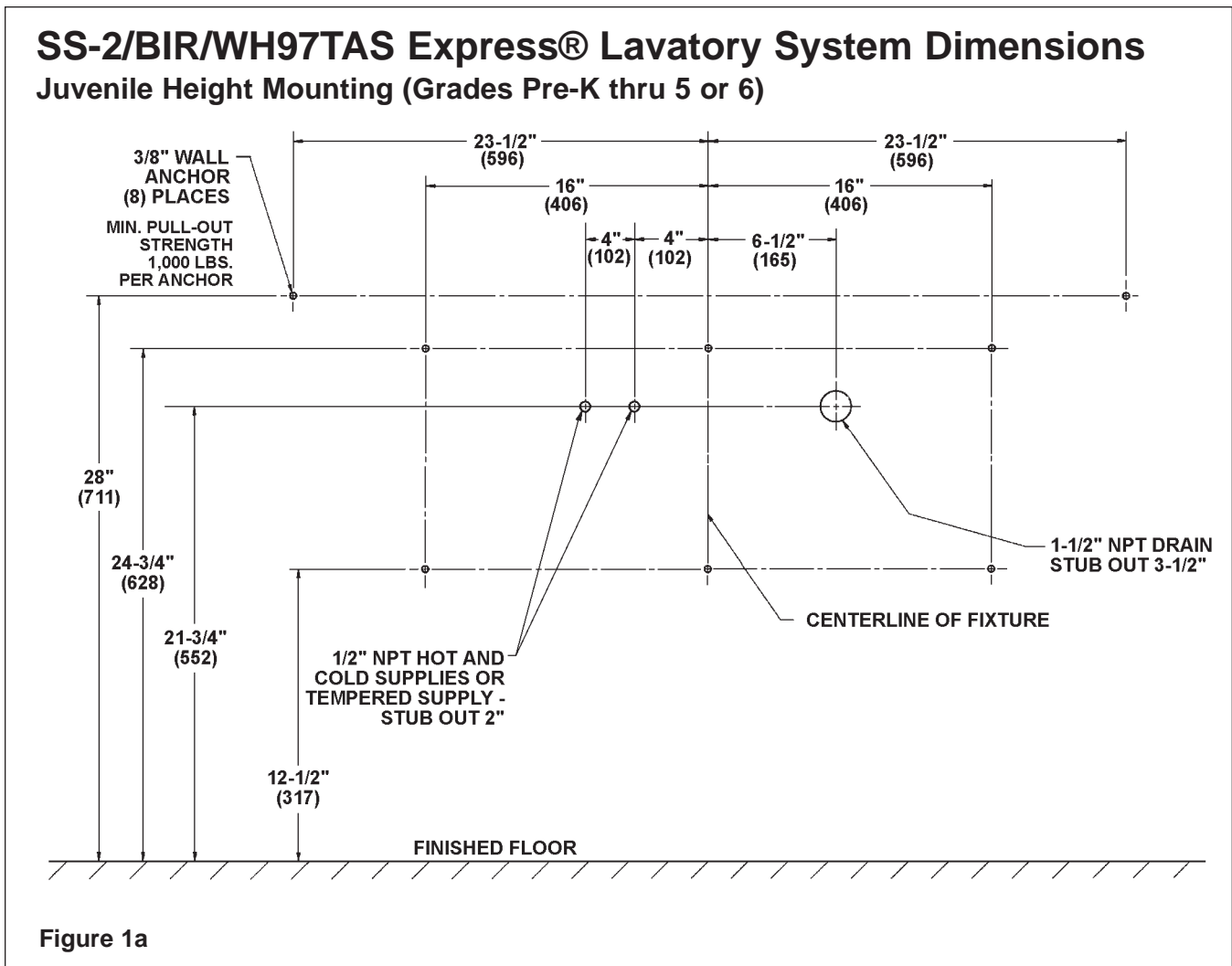
NOTE: See Figure 1a (below), 1b and 2 (on page 6) when roughing in the Express®.

IMPORTANT: Flush the supply lines before making connections. Debris in supply lines will cause the valves to malfunction.

IMPORTANT: Dimensions shown in Figure 1a are for Juvenile Height (grades Pre-K thru 5 or 6) and in Figure 1b for Juvenile Height (grades 6 thru 8 or 9)

1. Rough in 1/2" NPT hot and cold supply lines through wall at dimensions shown.
2. Rough in 1-1/2" NPT drain waste connection through wall at dimensions shown.
3. Install eight 3/8" wall anchors with a minimum pull-out rating of 1,000 lbs. (supplied by installer) at the locations shown in Figures 1a and 1b (on pages 5-6).

NOTE: The anchors will be used to mount the Express® bowl and frame to the wall.



SS-2/BIR/WH97TAS Express® Lavatory System Dimensions Juvenile Height Mounting (Grades 6 thru 8 or 9)

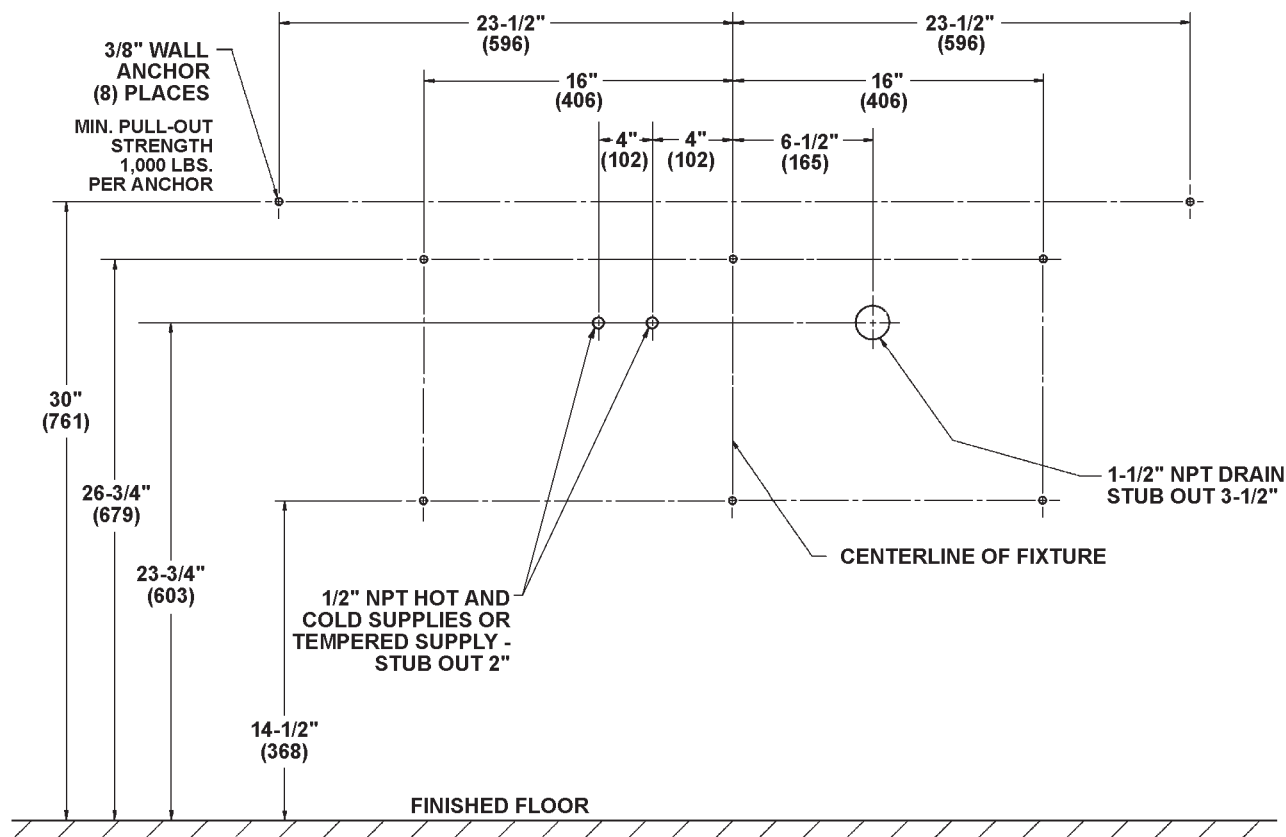


Figure 1b

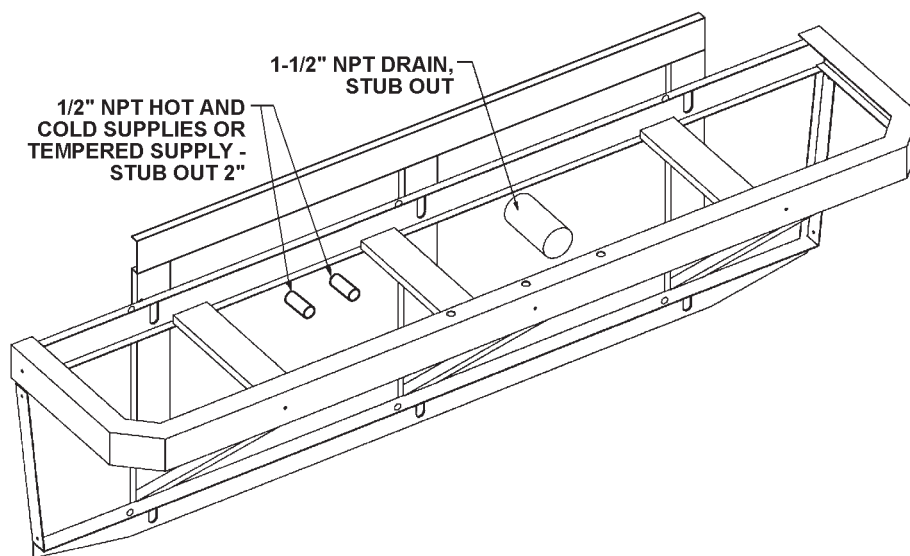


Figure 2

Installation Instructions *continued . . .*

Step 2: Mount frame to wall

1. Remove the seven Torx-head screws securing the panel to the frame and remove the panel (see Figure 3).
2. Attach the battery box bracket to the frame at two places using the #10-24 screw and washer provided (see Figure 4).
3. Position the frame against the wall, ensuring that it is level.



IMPORTANT: Anchoring the frame to a wall that is *not* flat may cause the frame to bend. If necessary, install shims to compensate for wall distortion.

4. Ensure that the back of the frame is flat against the wall. If wall is not flat, insert shims behind the frame to ensure that it will not bend when anchored.
5. Once you have positioned the frame such that it is level and flat against the wall or shimmed, use the 3/8" bolts and washers to mount the frame to the wall (see Figure 4).

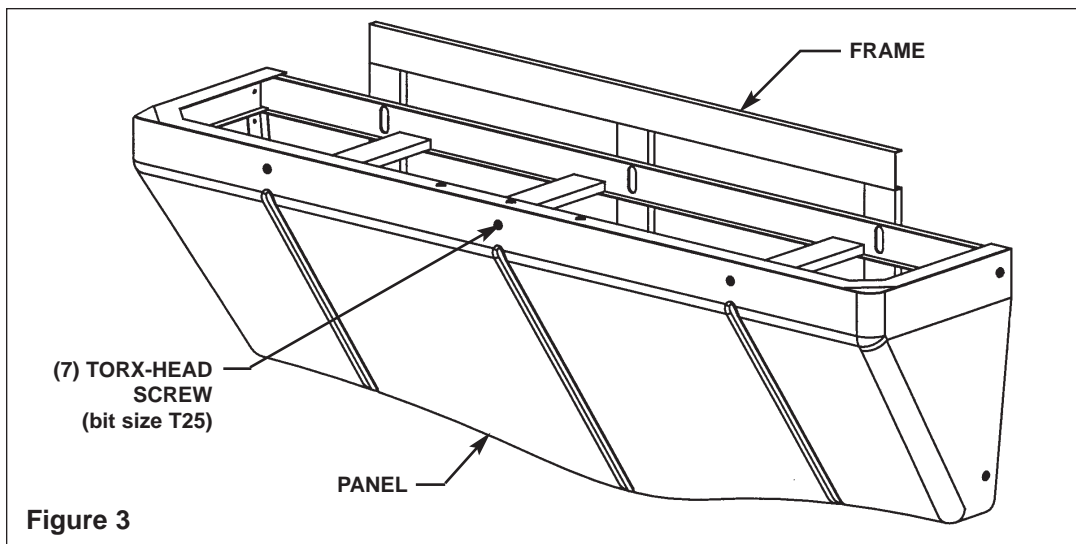


Figure 3

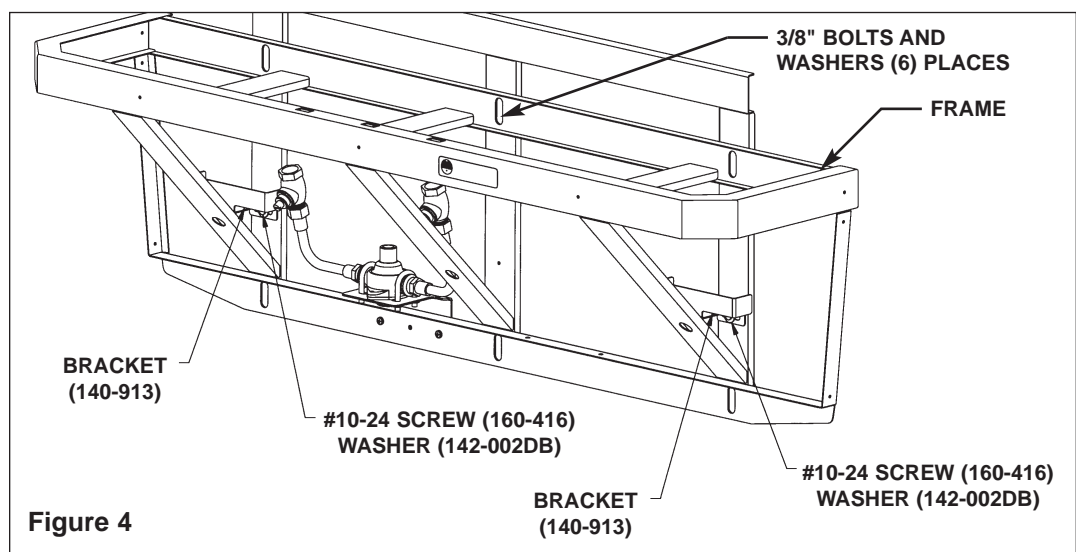


Figure 4

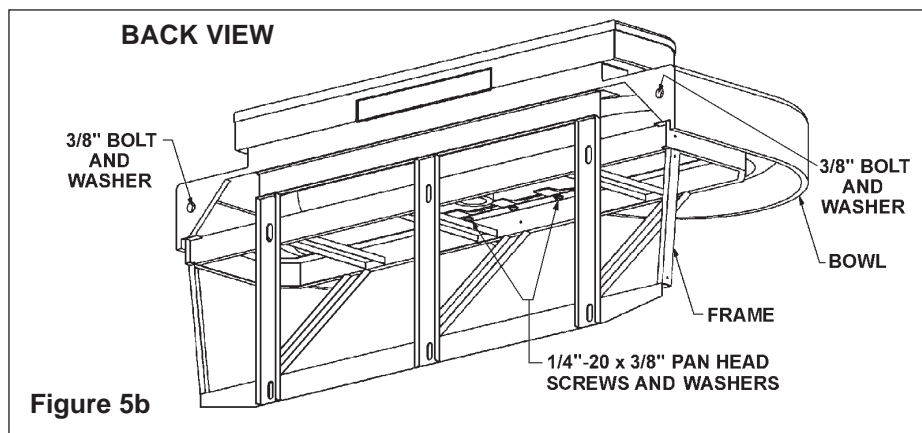
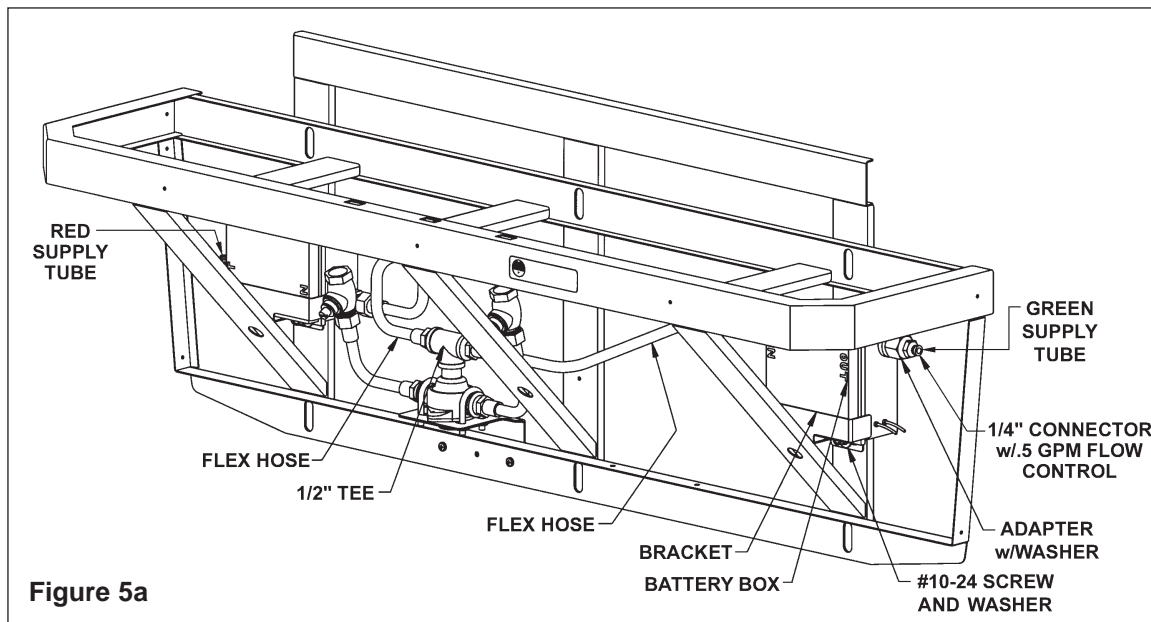
Installation Instructions *continued . . .*

Step 3: Install bowl assembly

⚠ IMPORTANT: Moving and positioning the bowl will require more than one person.

NOTE: Refer to Figure 5a and 5b below when installing the bowl assembly. Part numbers for parts shown in Figure 5a can be found on page 16.

1. With someone to assist you, rest the back of the bowl/sprayhead assembly onto the front of the frame. Remove the battery boxes from the bowl basin and place them into the battery box brackets mounted to the frame (see Figure 5a for correct positioning of the battery boxes).
2. Position the bowl/sprayhead assembly onto the frame so that the back of the bowl/sprayhead is flush to the wall (see Figure 5b).
3. Attach the front of the bowl assembly to the frame using the two 1/4"-20 pan-head screws and washers provided. **Do not tighten screws at this time.**



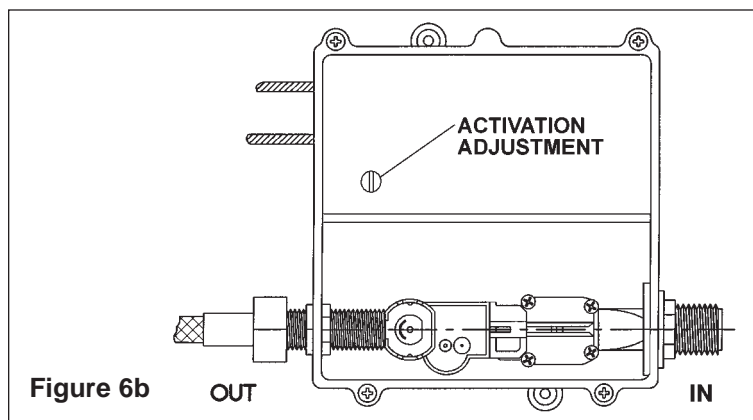
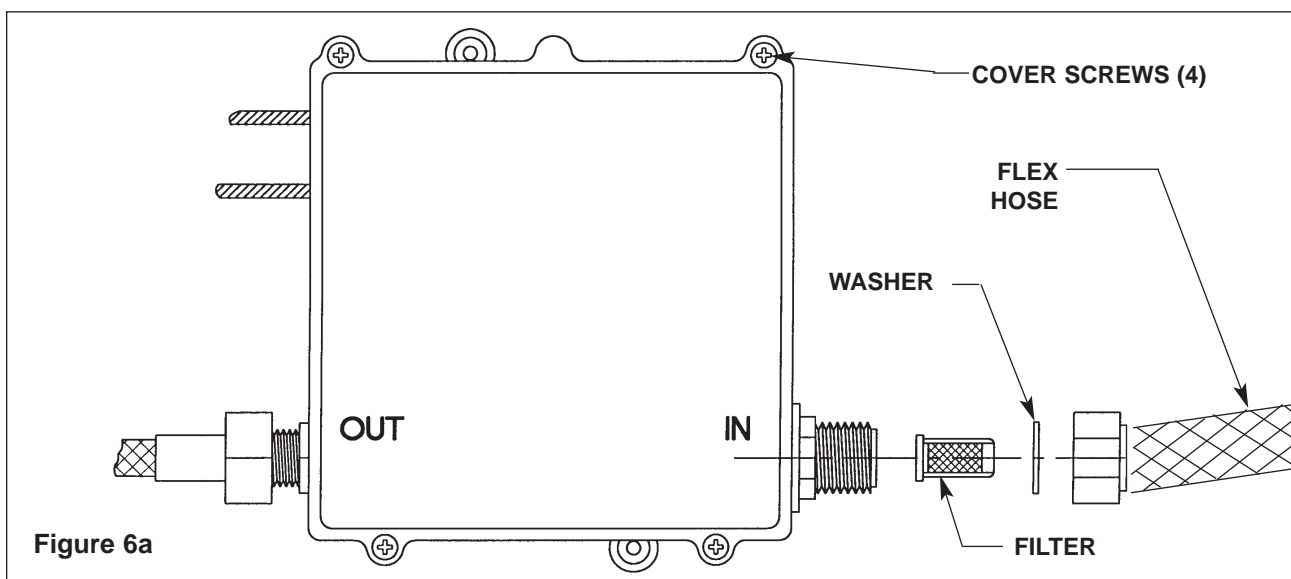
Installation Instructions *continued . . .*

Step 3: Install bowl assembly (continued)

4. Remove the battery boxes from the bracket. Remove the four phillips head screws from the operation box cover (see Figure 6a). Install six "AA" alkaline batteries (not included) into each battery box. Wait for five seconds before testing the unit (this will allow sensors to adapt to site conditions).
5. HOT/COLD VERNATHERM™ OPTION ONLY: Attach the 1/2" tee to the Vernatherm™ assembly using a thread sealer (see Figure 4 on page 7).
6. Attach the male end of the 1/2" flexible hose to the 1/2" tee using a thread sealer. Attach the female end of the 1/2" flexible hose to the battery box using the fiber washer attached to the hose (see Figure 4 on page 7).
7. Attach the 1/4" supply tubes from the sprayhead to the battery box's 1/4" connector. Make sure the red color supply tube goes to the left side battery box and the green color supply tube goes to the right side battery box (see Figure 4 on page 7).

⚠ IMPORTANT: When bolting the bowl assembly to the frame and wall, do not overtighten the bolts. Overtightening bolts can damage the Terreon® material.

8. After the bowl assembly is attached to the frame, use two 3/8" bolts and washers (supplied by the installer) to bolt the bowl to the wall anchors.
9. Tighten the screws installed to secure the bowl assembly to the frame. *Do not overtighten.*



Installation Instructions *continued . . .*

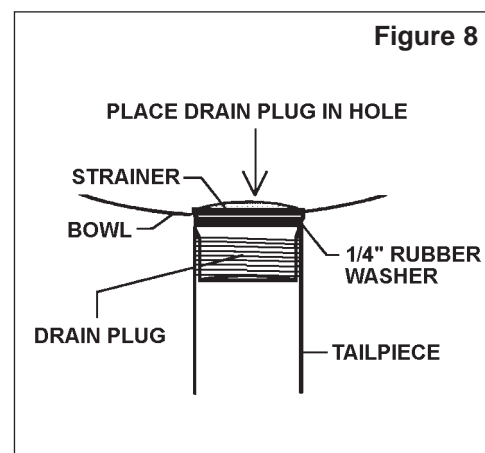
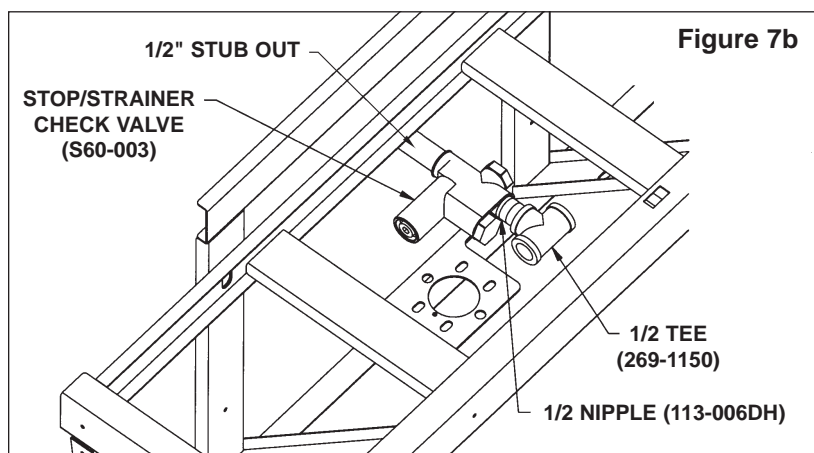
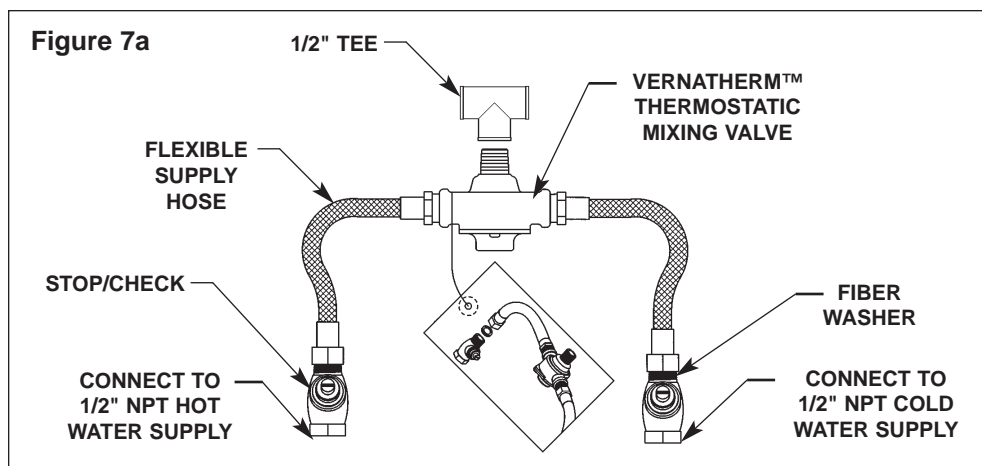
Step 4: Connecting supply and drain

1. FOR HOT AND COLD SUPPLY: Using a thread sealer, thread the stop/strainer check valve onto the hot and cold wall stub-outs. (see Figure 7a). Using the thread sealer, attach the male end of the 1/2" flexible hose to the Vernatherm™ valve (one hose on the hot side, the other hose on the cold side) (see Figure 7a). Attach the female swivel end to the stop/strainer check valve (located on the wall stub-out) using the fiber washer attached to the hose.

NOTE: The red marking on Vernatherm™ Mixing Valve indicates hot water supply inlet.

FOR SINGLE TEMPERED SUPPLY: Using a thread sealer, thread the 1/2" nipple and 1/2" tee into the stop/strainer check valve. Thread the attached components to the 1/2" stub-out from the wall using the same thread sealer (see Figure 7b).

2. Install the drain plug in the hole in the bottom of the bowl (see Figure 8).
3. Beneath the bowl, install the 1/4" rubber washer onto the drain plug, and thread the tailpiece to the drain plug.
4. Assemble the P-trap by connecting the 1-1/2" tubular pipe to the tailpiece and to the 1-1/2" drain pipe stubbed out of the wall.
5. Install the strainer on the drain plug opening inside the bowl, and push the strainer firmly into place.



Installation Instructions *continued* . . .

Step 5: Completing installation

1. Turn on the water supply to the Express® and check for leaks.
2. Pass your hand in front of each station's sensor until all the air is purged from the lines and water is flowing smoothly.
3. ACTIVATION RANGE ADJUSTMENT

NOTE: Complete only if range adjustment is required.

NOTE: The range is factory preset at approximately six inches.

To adjust the activation range, follow the procedure outlined below:

- Open the box cover per Step 3, procedure #4, found on page 9 (see Figure 6a).
- Locate the activation adjustment potentiometer (see Figure 6b, page 9).

IMPORTANT: The maximum rotation is only 3/4 of a turn.

NOTE: The label on the activation adjustment indicates the direction to increase (+) and decrease (-) the range.

- Make the adjustment with a small slotted screwdriver.
 - Set the range to “minimum” (-).
 - Remove all objects from the basin
 - Reset the sensor by removing one battery, waiting ten seconds and then reinstalling the battery.
 - Slowly turn the adjustment to increase (+) the activation range. If the sensor activates, back the adjustment off by 1/8 turn.
 - Once the range is adjusted, reset the sensor again by removing one battery, waiting ten seconds and then reinstalling the battery.
 - Wait five seconds for the sensor to adapt, then test the range. If the range is okay, then replace the valve box cover and tighten the screws.
4. After testing is complete, reinstall panel to frame. Fasten panel with seven Torx-head screws provided (see Figure 3 on page 7).

NOTE: For Express® units with optional soap dispensers, see pages 13 and 14 for soap dispenser maintenance instructions.

Cleaning and Maintenance Instructions



IMPORTANT: Strong alkaline or acid-based chemicals and cleansers should not be used to clean Terreon®. If these chemicals come in contact with the Terreon® surface, wipe off the surface immediately and flush with soapy water.

Terreon® and panel maintenance

The bowl and sprayhead cover are constructed of Terreon®, a densified solid surface material composed of an acrylic modified polyester resin. Terreon® is resistant to chemicals, stains, burns and impact. Surface damage can be easily repaired with everyday cleaners or fine grit abrasives. The panel and sprayhead body are made of an acrylic/ABS laminate, and will not chip, peel or flake. With regular cleaning, your Terreon® fixture will provide years of dependable service.

Cleaning

- **Daily Cleaning:** Wipe the surface with a damp cloth and wipe dry.
- **Weekly Cleaning:** Wipe the surface with a damp cloth and a household liquid detergent. Stubborn stains can be removed as follows:
 1. Using a #7448 Scotch-Brite® pad, scrub with an abrasive cleanser such as Ajax®, Comet® or Soft Scrub® and water.
 2. Clean thoroughly with soapy water and allow to dry.
- **Scorch Marks:** Although Terreon® will not burn, a lit cigarette in contact with Terreon® could leave a scorch mark. Scorch marks can be removed by buffing with a #7448 Scotch-Brite pad or with an abrasive cleaner.
- **Repair kit:** In the unlikely event your Terreon® surface becomes damaged, it can easily and inexpensively be repaired. Contact your Bradley representative to order a repair kit and be sure to specify color when ordering.

Panel cleaning



IMPORTANT: Do not use abrasive cleansers to clean the panel or sprayhead body. Abrasive cleaners can mar the surface.

- **Graffiti/Vandalism:** If vandals create markings on the panel, Bradley recommends using Motsenbocker's LIFT OFF® to remove ink and spray paint. Remover #3 is for ink and markers, and Remover #4 is for spray paint. Motsenbocker's LIFT OFF® can be ordered through Sanitary Maintenance Service Inc. (call 1-800-451-5523 x 425 or visit www.sanitarymaintenance.com/product.htm for ordering information). After cleaning with LIFT OFF®, give the panel a final thorough cleaning with a liquid tub and tile cleaner to remove soil and maintain the glossy finish.

NOTE: Use of brand names is intended only to indicate a type of cleaner. This does not constitute an endorsement, nor does the omission of any brand name cleaner imply its inadequacy. Many products named are regional in distribution and can be found in local supermarkets, department and hardware stores or through your cleaning service. It is emphasized that all products should be used in strict accordance with package instructions.

Soap Dispenser Maintenance

Step 1: Fill soap dispenser

The soap valve will dispense vegetable/coconut oil liquid soaps, synthetic detergents, viscous lotion soaps, and antiseptic solutions. A 10-15% concentration is recommended for vegetable or coconut oil liquid soaps. Synthetic detergents, lotion soaps, and antiseptic soaps require no dilution.

1. Using two screwdrivers (or similar tool), push up on the release tabs located beneath the soap dispenser and pull out the soap tank from the sprayhead (see Figure 9a).
2. To remove packing dust, rinse out the soap tank with hot water. Shake water out thoroughly and allow to dry.
3. Pour the soap into the soap tank's filler hole (see Figure 9b).
4. After the soap tank is filled, position the soap tank in the sprayhead opening and push into place.

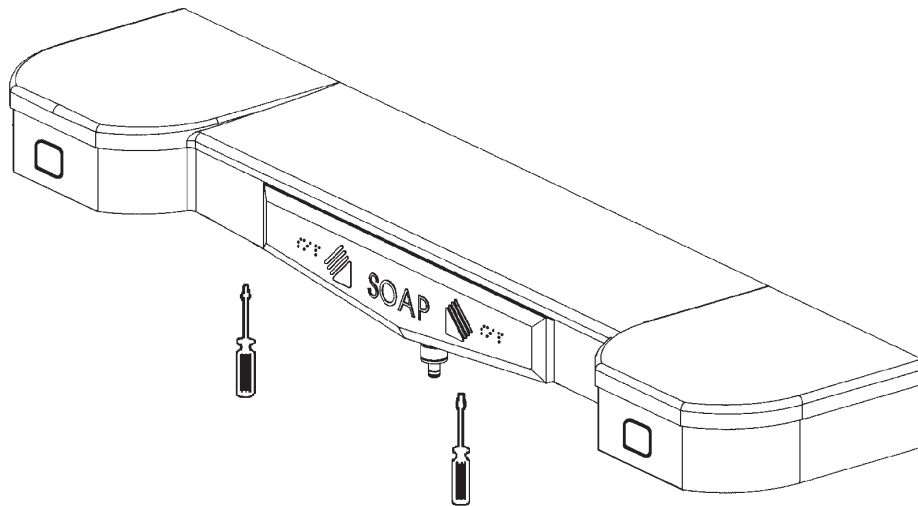


Figure 9a

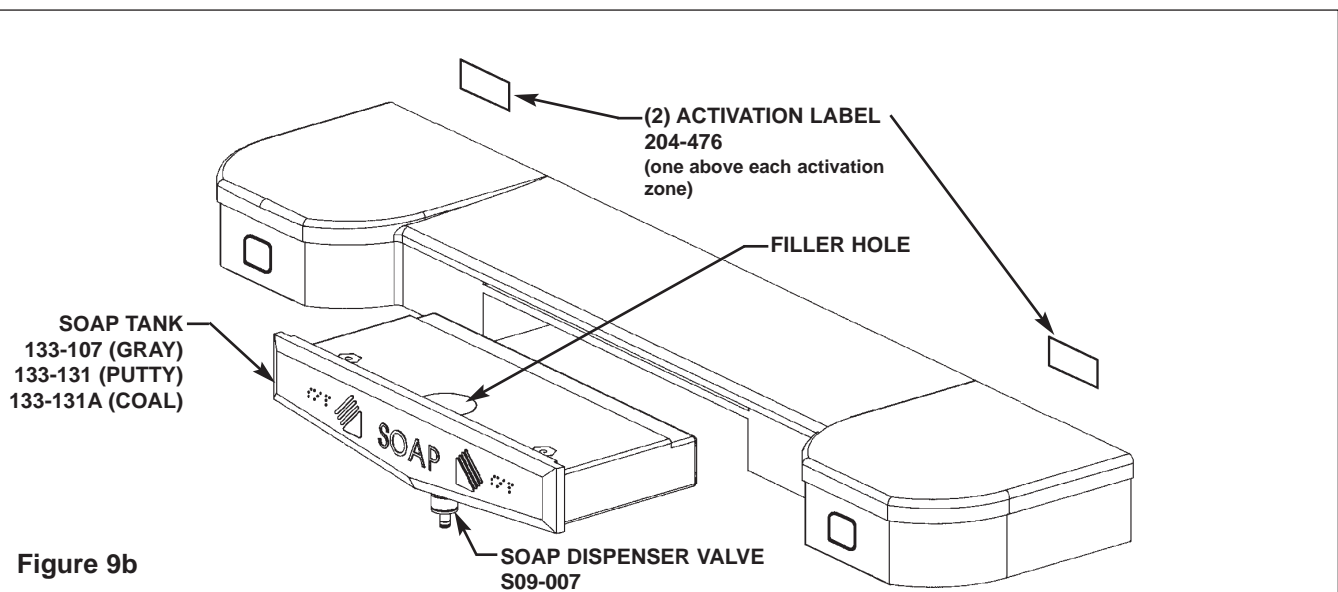


Figure 9b

Soap Dispenser Maintenance *continued* . . .

Step 2: Change soap type

1. Pour out all of the soap from the dispenser.
2. Rinse the soap dispenser with hot water several times until all of the residue is removed, and pump the valve until clean water appears.
3. Rinse the dispenser with ethyl alcohol and allow to air dry.
4. After the dispenser is dry, pour the new soap into the soap dispenser.

Step 3: Cleaning Instructions

Regular cleaning of the soap dispenser is recommended to ensure optimum performance and maximum service life. Cleaning the soap dispenser monthly to remove soap residue, dirt, and other accumulations should become a regular part of your washroom cleaning routine and general maintenance program.



IMPORTANT: Do not use abrasive cleansers to clean the soap tank. Abrasive cleaners can mar the panel's surface.

Clean exterior: Use warm water and soap to clean the exterior of the soap dispenser. Dry with a soft cloth.

Clean interior: Inspect the interior of the soap tank for residue or coagulation of soap. If necessary, clean the soap tank according to the following procedure:

1. Pour out any remaining soap in the tank.
2. Fill the tank half-full of hot water and shake the tank to dislodge the soap residue.
3. Empty the water from the container and repeat steps 1 and 2 until the soap container is clean.

NOTE: If rinsing alone does not remove the soap residue, place a small chain (24 inches long) into the soap tank with hot water and shake the container until the chain dislodges the residue. Then remove the chain and rinse out the soap tank.

Clean internal components: To clean the internal components of the soap dispenser, pump hot water through the soap dispenser until a clean flow of water comes out of the valve.

Check Valve Troubleshooting

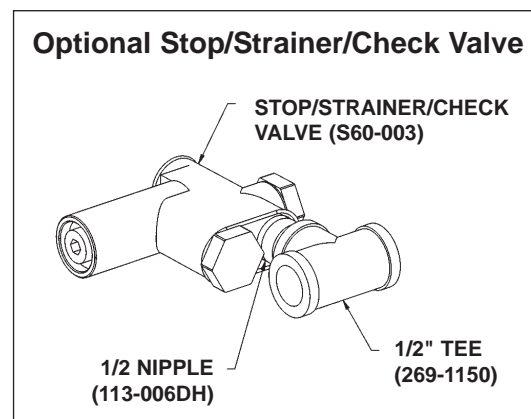
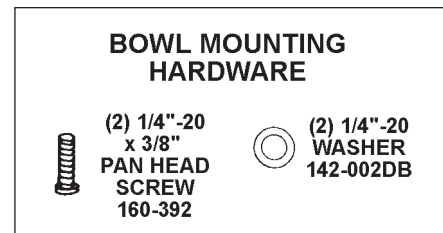
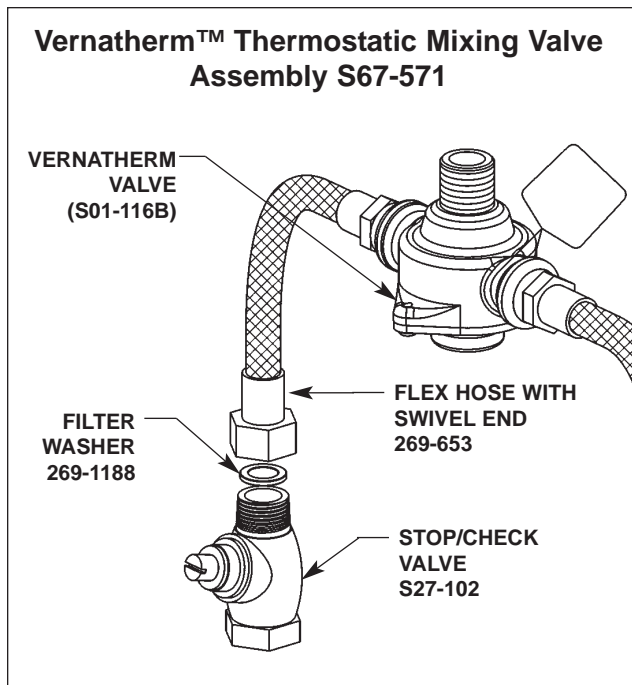
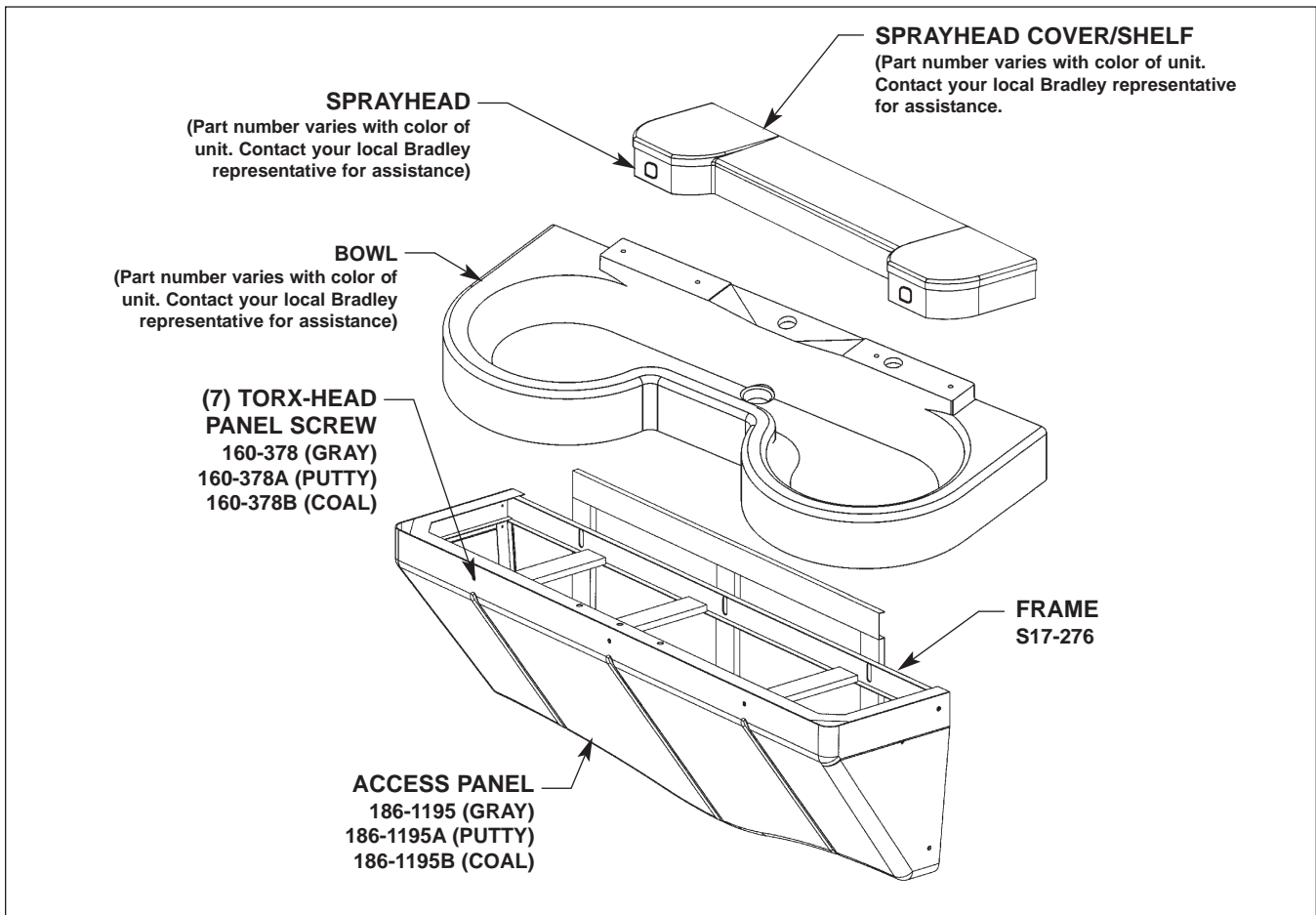
If water just dribbles or does not flow from sprayhead:

1. Close the stops and check the valves that supply water to the lavatory system.
2. Inspect the stop/check valves for proper installation.
3. Remove the flexible hoses from the stop/check valves and clean the strainers, if necessary.

If water sprayhead delivers all hot or cold water:

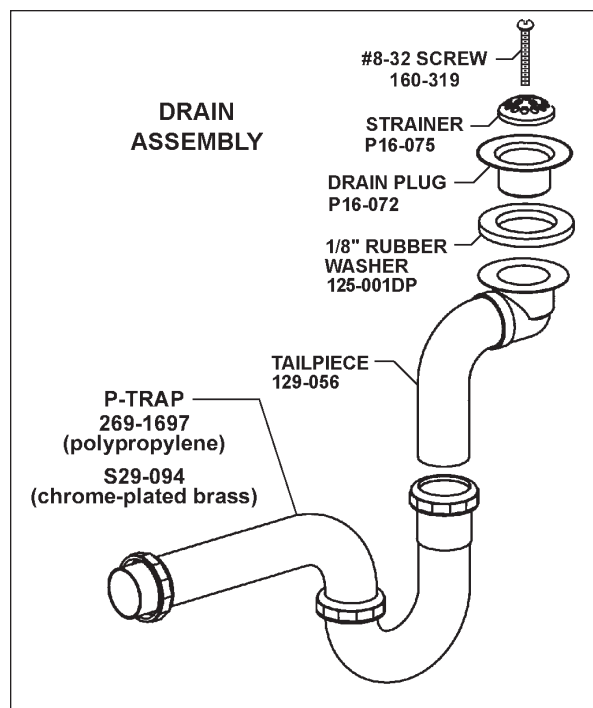
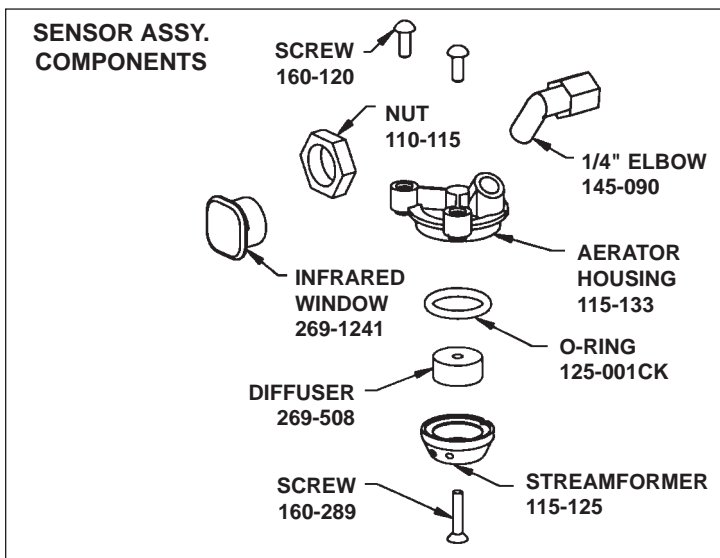
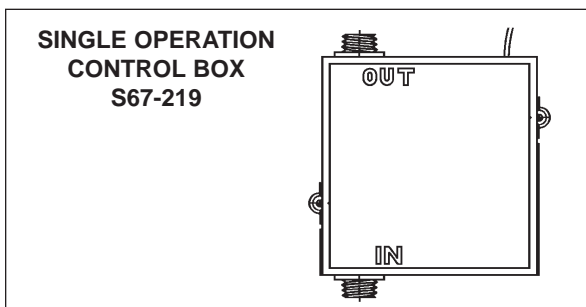
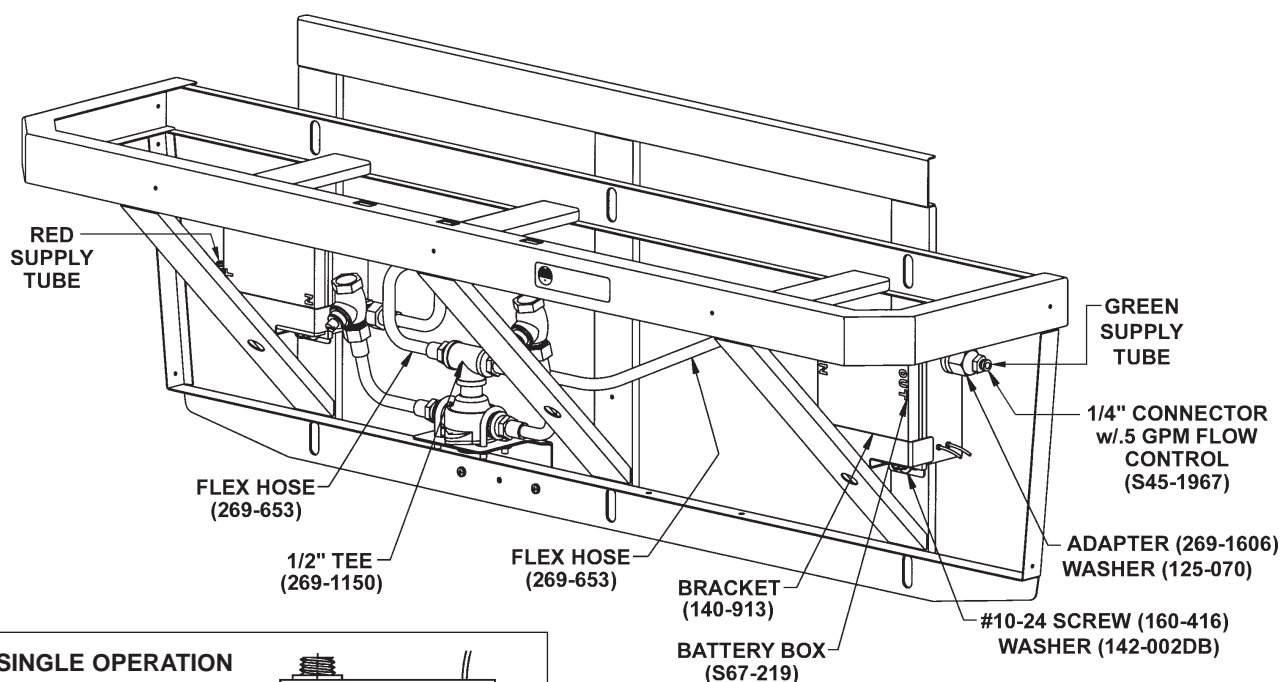
1. Close the stops and check the valves that supply water to the lavatory system.
2. Inspect the stop/check valves for proper installation.
3. Remove the flexible hoses from the stop/check valves and clean the strainers, if necessary.
4. Inspect mixing valve for proper installation (see Vernatherm valve on page 17).
 - A red marking indicates the hot inlet.

Assembly of Components



Assembly of Components *continued* . . . Sensor assembly, battery box and drain assembly

To reinstall sprayhead cover/shelf: Position the cover/shelf on the sprayhead body and secure it to the sprayhead body using the eight screws provided.



Vernatherm™ Mixing Valve Maintenance and Service

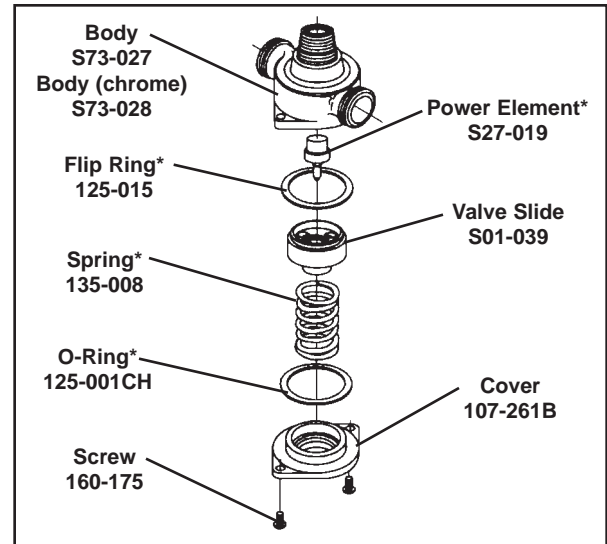
*Repair kit S45-049 is pre-packaged and includes O-Ring, Flip Ring, Power Element and Spring.

Maintenance Instructions

1. Disassemble the Vernatherm™ Valve as shown, being careful not to damage the power element. Replace the element, if necessary.
2. If necessary, remove the old flip ring and replace with a new ring.

NOTE: An old or worn flip ring may cause temperature fluctuation and/or water chatter.

3. Reassemble the power element and valve body. Apply grease to the main valve slide and gently ease into position, rotating so that grease is applied to the flip ring. Do not force the slide as this may push the flip ring from its position. To test, rotate the slide; a slight drag should be felt when correctly installed.
4. Reassemble the valve.



Service Suggestions

When servicing the valve, make sure it is installed in the correct position. The most common error occurs when the valve is installed in the reversed position, that is, the hot line is connected to the cold line and the cold is connected to the hot.

NOTE: A red marking indicates the hot side of the valve.

The table below lists conditions that occur when the valve is installed correctly, and when it is in the reversed position.

IF			THEN
Valve Position is	Hot Supply	Cold Supply	Valve Delivers
Correct	Hot	Cold	Mixed 107°
Correct	Hot	No Water	Valve shuts off or drips
Correct	No Water	Cold	Valve shuts off or drips
Correct	Hot	Hot	Hot
Correct	Cold	Cold	Cold
Reversed	Hot	Cold	Cold/below 107° Hot/above 107°
Reversed	Hot	No Water	Hot
Reversed	No Water	Cold	Cold
Reversed	Hot	Hot	Hot
Reversed	Cold	Cold	Cold