

Installation Instructions *For Service Only*

EXD-3/WH97

**Express® Deck Lavatory
System EXD Series**

Express® Decks are ADA
compliant.



Table of Contents

Dimensions	2
Installation Instructions	3-8
Cleaning and Maintenance	8
Assembly of Components	9
Vernatherm™ Valve	10

IMPORTANT

Read this entire installation manual to ensure proper installation, then file these instructions with the owner or maintenance department.

Flush all the water supply lines before making connections. Debris in supply lines will cause the valves to malfunction.

Turn OFF electrical power to the outlet when installing the Express® Deck.

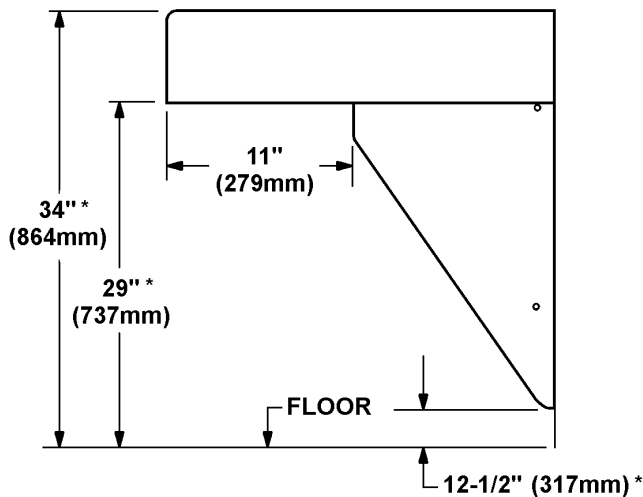
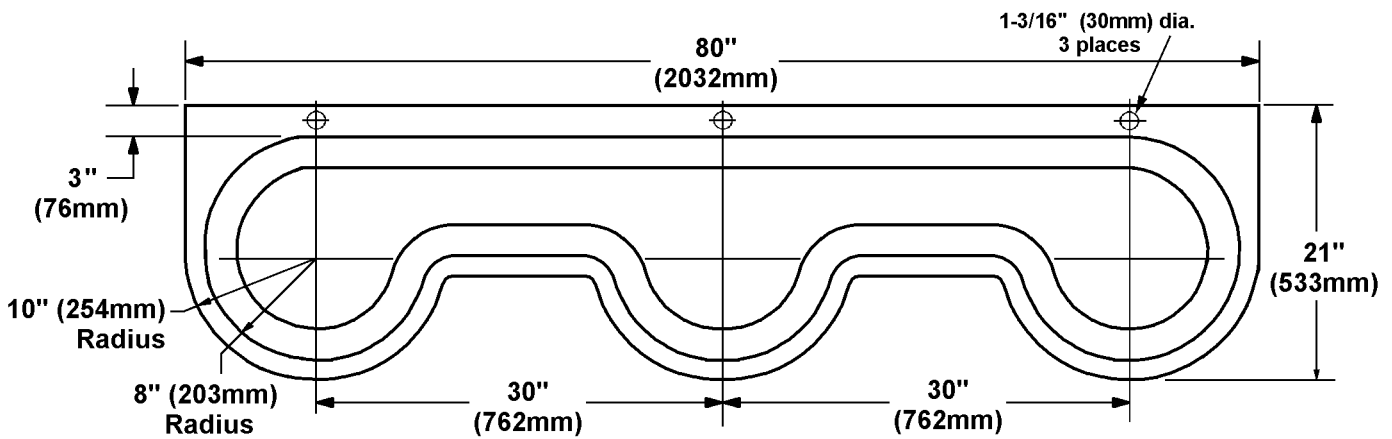
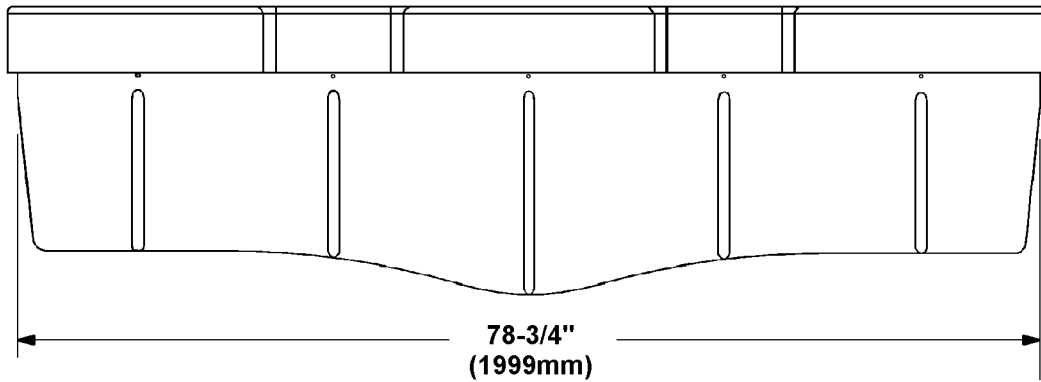
Wall anchors used must have a minimum pull-out rating of 1,000 lbs.

Darker-colored solid surface materials require more maintenance and are susceptible to “blushing” in applications where water temperature exceeds 110°F. For these applications we recommend mixing valve/tempered water (mixing valves are available through your Bradley representative).

Product warranties may be found under "Product Information" on our web site at www.bradleycorp.com.



EXD-3/WH97 Express® Deck Dimensions (Standard Height Mounting)



* Subtract 4" from vertical dimensions for juvenile height mounting.

Installation Instructions

Supplies required for installation:

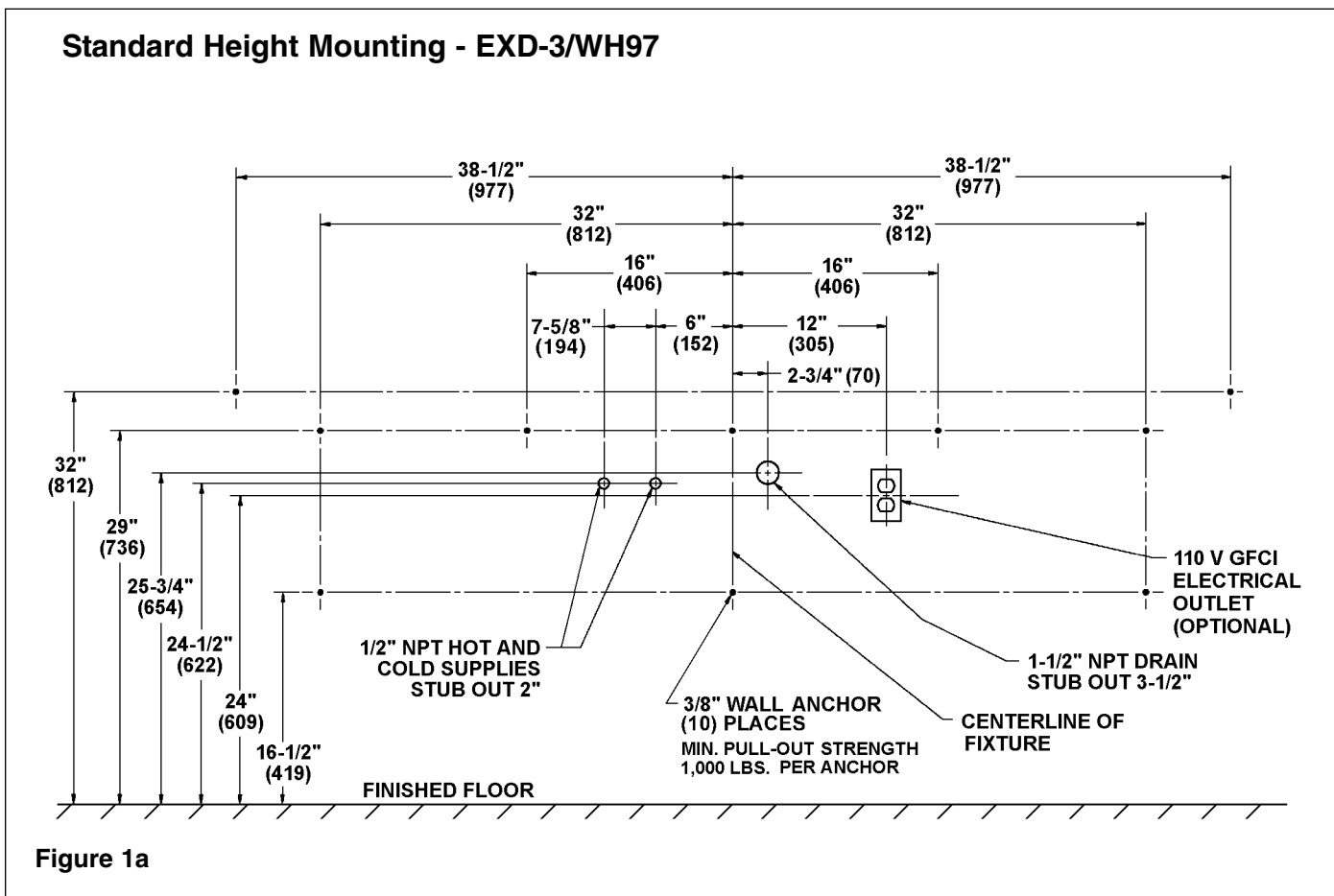
- (10) 3/8" wall anchors, bolts and washers to mount frame and bowl to wall (minimum pull-out rating of 1,000 lbs.)
- 1/2" NPT tempered supply piping
- 1-1/2" NPT drain piping
- 110 volt electrical outlet for optional 110/24 VAC plug-in transformer for infrared faucet option

Step 1: Rough in



IMPORTANT: Dimensions in Figure 1a are for a Standard Height Express® Deck only. See Figure 1b on page 4 for Juvenile Height Express® Deck.

1. Rough in 1/2" NPT hot and cold supply lines through wall at dimensions shown.
2. Rough in 1-1/2" NPT drain waste connection through wall at dimensions shown.
3. Install ten 3/8" wall anchors with a minimum pull-out rating of 1,000 lbs. (supplied by installer) at the locations shown in Figure 1a below or Figure 1b on page 4.
4. INFRARED FAUCET OPTION ONLY: Install the 110 volt GFCI electrical outlet per local code at the location shown in Figure 1a below or 1b on page 4.



Juvenile Height Mounting - EXD-3/WH97

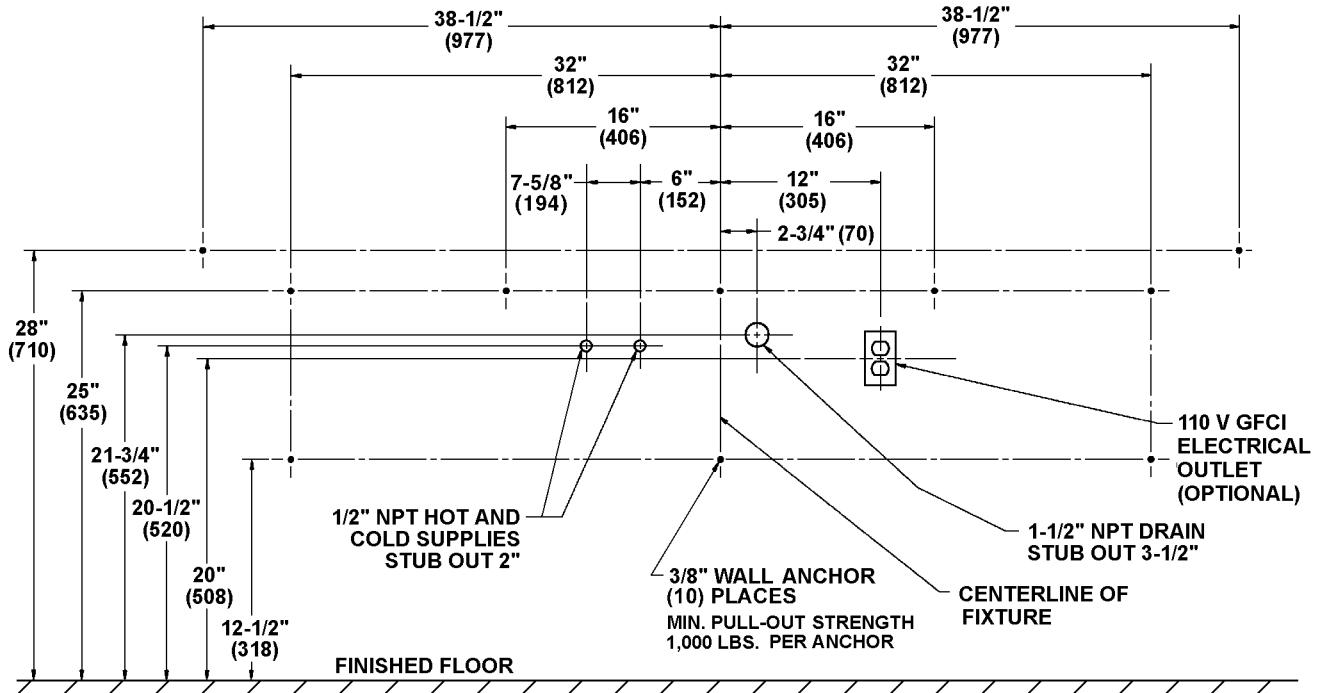


Figure 1b

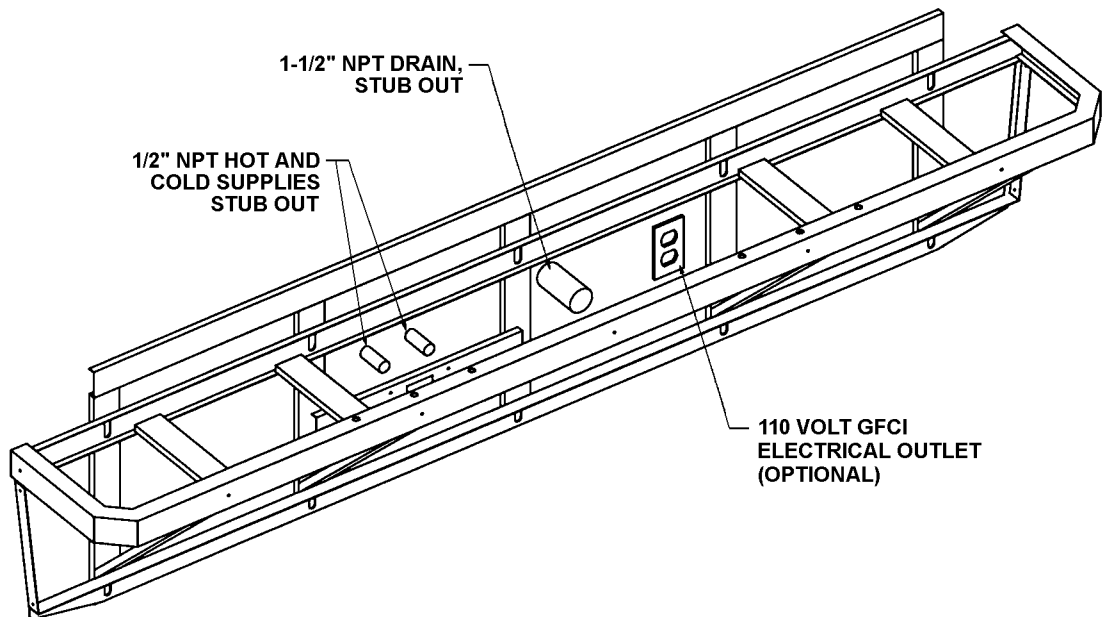


Figure 2

Installation Instructions *continued . . .*

Step 2: Mount frame to wall

1. Remove the nine Torx-head screws securing the panel to the frame and remove the panel (see Figure 3).
2. Position the frame against the wall, ensuring that it is level.



IMPORTANT: Anchoring the frame to a wall that is *not* flat may cause the frame to bend. If necessary, install shims to compensate for any wall distortion.

3. Ensure that the back of the frame is flat against the wall. If wall is not flat, insert shims behind the frame to ensure that it will not bend when anchored.
4. Once you have positioned the frame such that it is level and flat against the wall or shimmed, use the 3/8" bolts and washers to mount the frame to the wall (see Figure 3 below and Figure 4 on page 6).

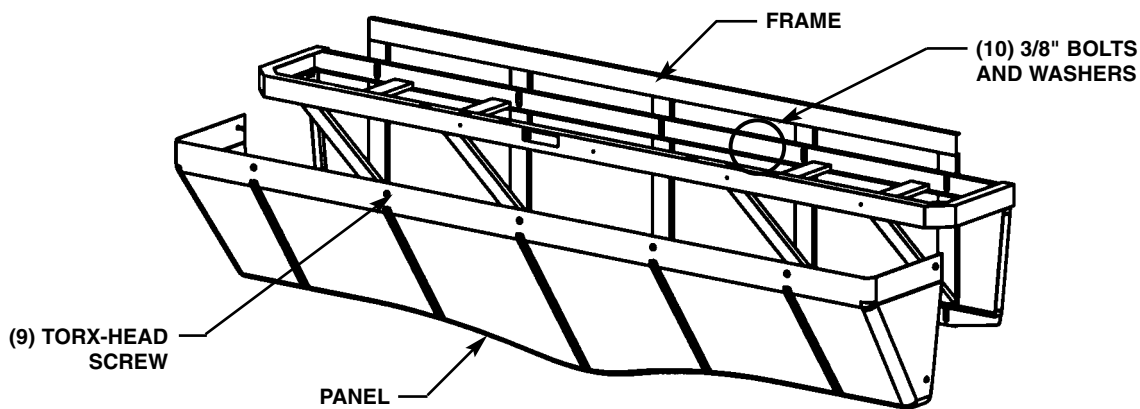


Figure 3

Installation Instructions *continued . . .*

Step 3: Installing bowl assembly

NOTE: Refer to Figure 4 below when installing the bowl assembly.



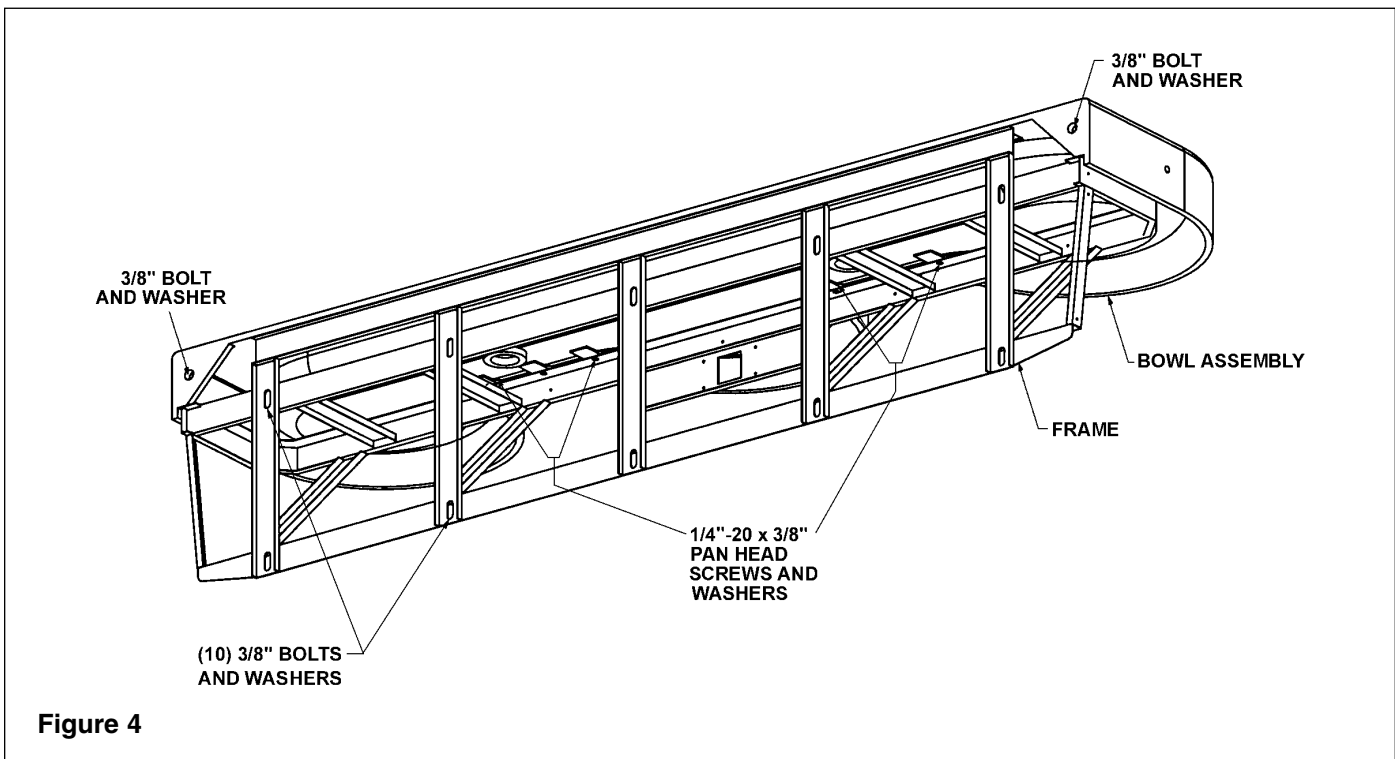
IMPORTANT: Moving and positioning the bowl requires more than one person.

1. With someone to assist you, place the bowl assembly squarely onto the frame.
2. Attach the front of the bowl assembly to the frame using the four 1/4"-20 x 3/8" pan-head screws and washers provided. **Do not tighten screws at this time.**



IMPORTANT: When bolting the bowl assembly to the frame and wall, do not overtighten bolts. Overtightening bolts can damage the Terreon® material.

3. After the bowl assembly is attached to the frame, use two 3/8" bolts and washers (supplied by the installer) to bolt the bowl to the wall anchors.
4. Tighten the screws installed in procedure #2 above to secure the bowl assembly to the frame. **Do not overtighten.**



Installation Instructions *continued* . . .

Step 4: Connecting supply and drain

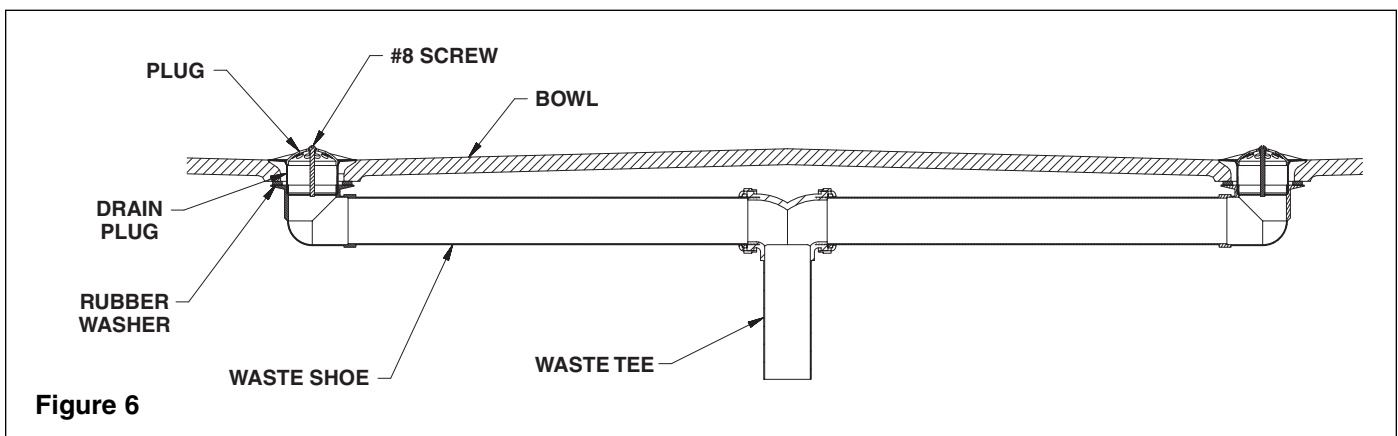
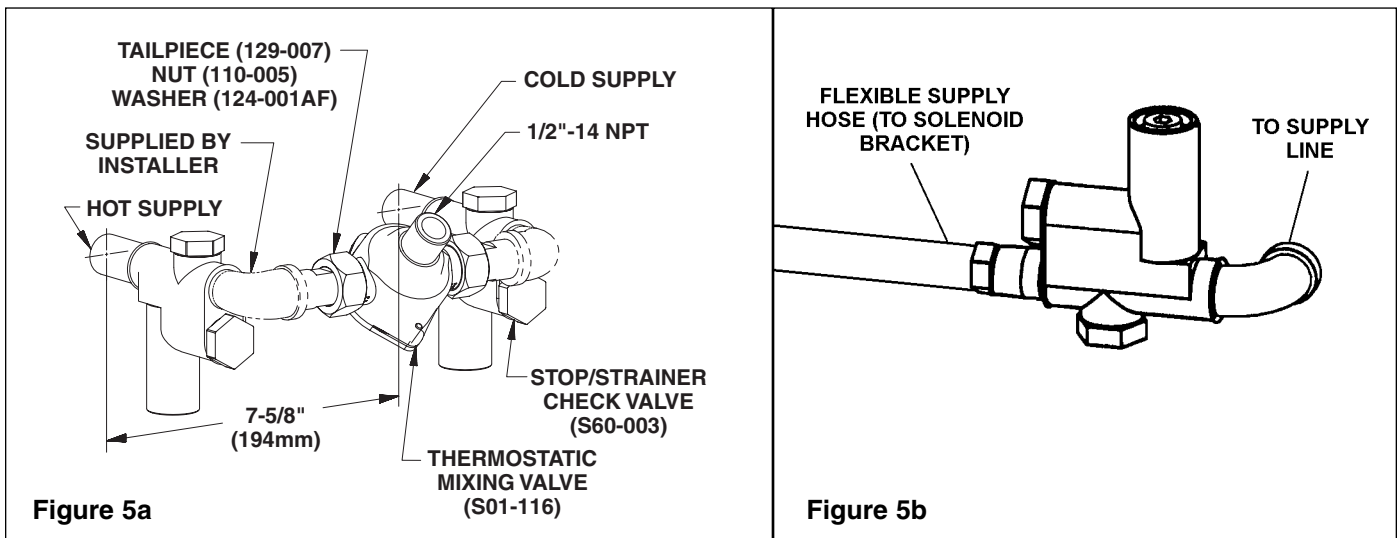
1. FOR HOT AND COLD SUPPLY: Connect the Vernatherm™ Thermostatic Mixing Valve as shown in Figure 5a.

NOTE: The red marking on Vernatherm™ Mixing Valve indicates hot water supply inlet.

FOR SINGLE TEMPERED SUPPLY: Attach the stop/check/strainer to the 1/2" tempered supply line. Connect the stop/check/strainer to the flexible supply hose (see Figure 5b).

FOR INFRARED FAUCET OPTION ONLY: Attach the stop/check/strainer to the 1/2" tempered supply line. Connect the stop/check/strainer to the solenoid valves with the flexible supply hose (see Figure 5b).

2. Install the two drain plugs in the two holes in the bottom of the bowl (see Figure 6).
3. Beneath the bowl, install the 1/4" rubber washers onto the drain plugs, and thread the waste tee to the drain plugs.
4. Assemble the P-trap by connecting the 1-1/2" tubular pipe to the waste tee and to the 1-1/2" drain pipe stubbed out of the wall.
5. Install the strainer on the drain plug opening inside the bowl, and push the strainer firmly into place.



Installation Instructions *continued* . . .

Step 5: Completing installation

1. Install the faucets according to the installation instructions that came with your faucets.
2. Turn on the water supply to the Express® Deck and check for leaks.
3. FOR DECKS WITH INFRARED FAUCETS ONLY: Turn on the electrical power to the electrical outlet and pass your hand in front of each faucet's sensor until all the air is purged from the lines and water is flowing smoothly.
4. After testing is complete, reinstall panel to frame. Fasten panel with eight Torx-head screws provided (see Figure 3 on page 5).

Cleaning and Maintenance Instructions



IMPORTANT: Strong alkaline or acid-based chemicals and cleansers should not be used to clean Terreon®. If these chemicals come in contact with the Terreon® surface, wipe off the surface immediately and flush with soapy water.

Terreon® and panel maintenance

The bowl is constructed of Terreon®, a densified solid surface material composed of an acrylic modified polyester resin. Terreon® is resistant to chemicals, stains, burns and impact. Surface damage can be easily repaired with everyday cleaners or fine grit abrasives. The panel is made of an acrylic/ABS laminate, and will not chip, peel or flake. With regular cleaning, your Terreon® fixture will provide years of dependable service.

Cleaning

- **Daily Cleaning:** Wipe the surface with a damp cloth and wipe dry.
- **Weekly Cleaning:** Wipe the surface with a damp cloth and a household liquid detergent. Stubborn stains can be removed as follows:
 1. Using a #7448 Scotch-Brite® pad, scrub with an abrasive cleanser such as Ajax®, Comet® or Soft Scrub® and water.
 2. Clean thoroughly with soapy water and allow to dry.
- **Scorch Marks:** Although Terreon® will not burn, a lit cigarette in contact with Terreon® could leave a scorch mark. Scorch marks can be removed by buffing with a #7448 Scotch-Brite pad or with an abrasive cleaner.
- **Repair kit:** In the unlikely event your Terreon® surface becomes damaged, it can easily and expensively be repaired. Contact your Bradley representative to order a repair kit and be sure to specify color when ordering.

Panel cleaning

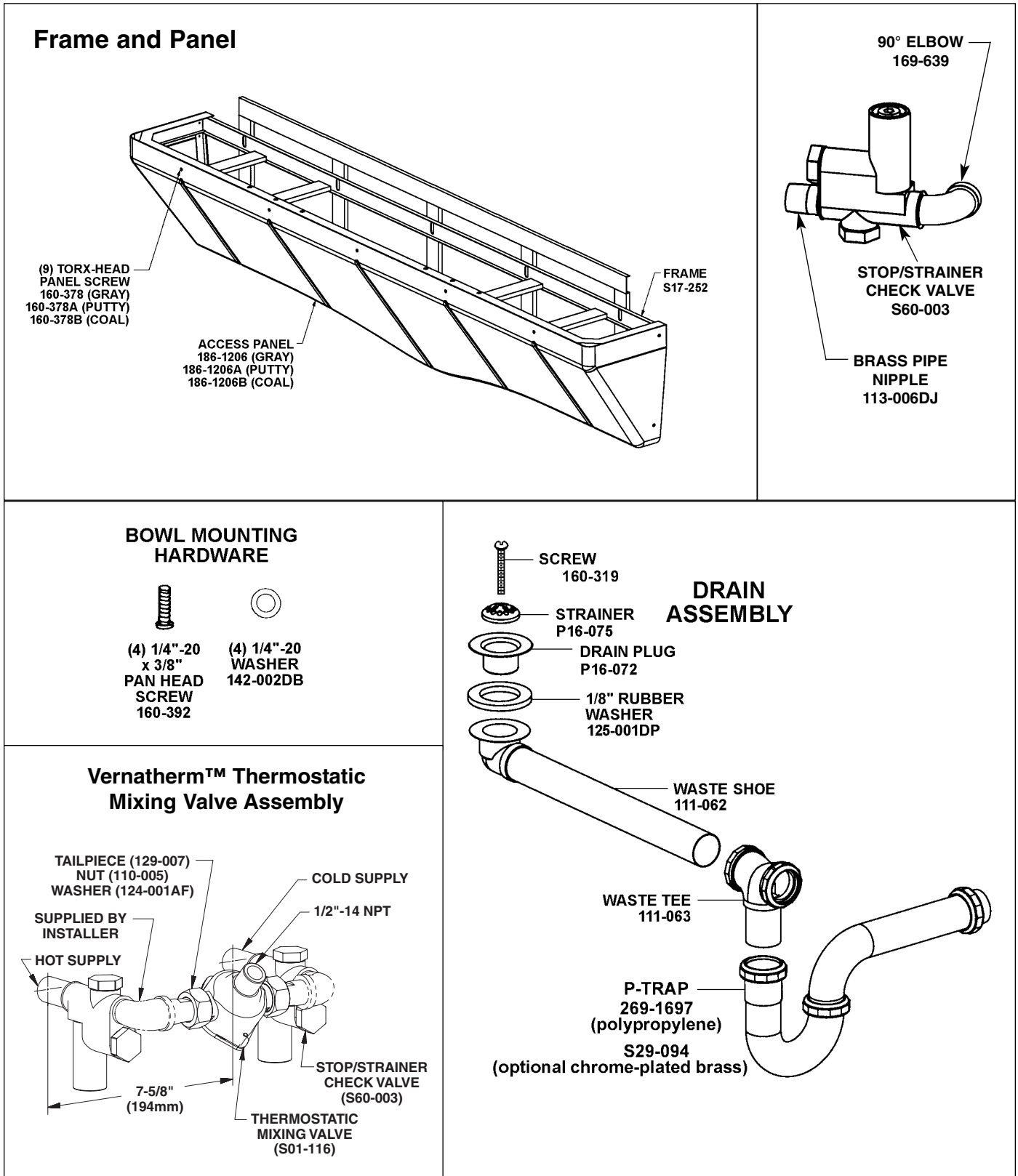


IMPORTANT: Do not use abrasive cleansers to clean the panel. Abrasive cleaners can mar the surface.

- **Graffiti/Vandalism:** If vandals create markings on the panel, Bradley recommends using Motsenbocker's LIFT OFF® to remove ink and spray paint. Remover #3 is for ink and markers, and Remover #4 is for spray paint. Motsenbocker's LIFT OFF® can be ordered through Sanitary Maintenance Service Inc. (call 1-800-451-5523 x 425 or visit www.sanitarymaintenance.com/product.htm for ordering information). After cleaning with LIFT OFF®, give the panel a final thorough cleaning with a liquid tub and tile cleaner to remove soil and maintain the glossy finish.

NOTE: Use of brand names is intended only to indicate a type of cleaner. This does not constitute an endorsement, nor does the omission of any brand name cleaner imply its inadequacy. Many products named are regional in distribution and can be found in local supermarkets, department and hardware stores or through your cleaning service. It is emphasized that all products should be used in strict accordance with package instructions.

Assembly of Components



Vernatherm™ Mixing Valve Maintenance and Service

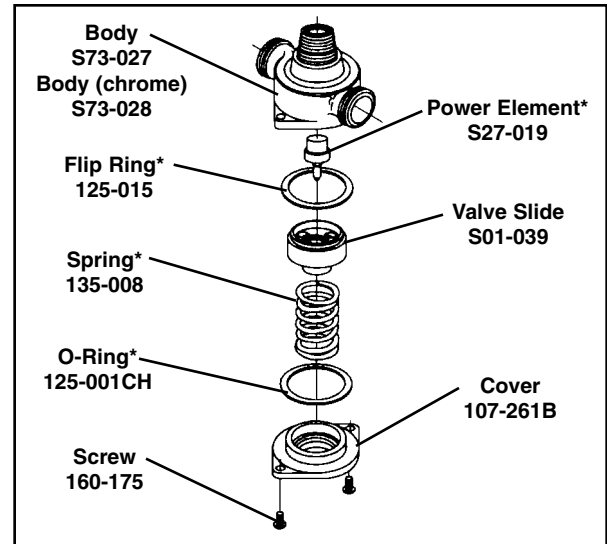
*Repair kit S45-049 is pre-packaged and includes O-Ring, Flip Ring, Power Element and Spring.

Maintenance Instructions

1. Disassemble the Vernatherm™ Valve as shown, being careful not to damage the power element. Replace the element, if necessary.
2. If necessary, remove the old flip ring and replace with a new ring.

NOTE: An old or worn flip ring may cause temperature fluctuation and/or water chatter.

3. Reassemble the power element and valve body. Apply grease to the main valve slide and gently ease into position, rotating so that grease is applied to the flip ring. Do not force the slide as this may push the flip ring from its position. To test, rotate the slide; a slight drag should be felt when correctly installed.
4. Reassemble the valve.



Service Suggestions

When servicing the valve, make sure it is installed in the correct position. The most common error occurs when the valve is installed in the reversed position, that is, the hot line is connected to the cold line and the cold is connected to the hot.

NOTE: A red marking indicates the hot side of the valve.

The table below lists conditions that occur when the valve is installed correctly, and when it is in the reversed position.

IF			THEN
Valve Position is	Hot Supply	Cold Supply	Valve Delivers
Correct	Hot	Cold	Mixed 107°
Correct	Hot	No Water	Valve shuts off or drips
Correct	No Water	Cold	Valve shuts off or drips
Correct	Hot	Hot	Hot
Correct	Cold	Cold	Cold
Reversed	Hot	Cold	Cold/below 107° Hot/above 107°
Reversed	Hot	No Water	Hot
Reversed	No Water	Cold	Cold
Reversed	Hot	Hot	Hot
Reversed	Cold	Cold	Cold