



FL-2H, FL-2L Frequency® Lavatory System – FL-Series

- ADA & TAS Compliant (lower or "concave" stations only)
- Patented Molded One-Piece Design with Integral Bowls
- Constructed of Terreon® or Terreon®RE Solid Surface Material
- Access Panel and Transition Cover Enclosure
- Includes Capacitive Sensing Faucet
- Optional Soap Dispenser and Plug-in Adapter

Specifications

With its patented design, the multi-height Frequency Lavatory System comfortably provides hand-washing access for adults, children, and those with disabilities. The "convex" or higher station provides a more ergonomically correct position for able-bodied users while the "concave" or lower stations can be mounted to meet ADA or TAS guidelines. Accommodating one to two users at a time, the FL-Series features a solid surface countertop with a one-of-a-kind integral bowl. The unique bowl, with integral solid surface overflow allows for greater knee clearance than other barrier free fixtures. The Frequency Lav System includes a "no-drip" edge and comes equipped with centershank battery-operated, capacitive sensing faucets. Faucet includes an anti-rotation 4" trim plate. Optional deck-mounted soap dispensers and plug-in adapters are available.

Construction

Counter Top/Bowl

Constructed of Terreon, a densified solid surface material composed of a bio-based resin, or TerreonRE, a densified solid surface material composed of a bio-based resin and preconsumer recycled granules. Terreon and TerreonRE are resistant to chemicals, stains, burns and impact. Surface damage can be easily repaired with everyday cleansers or fine grit abrasives. Terreon and TerreonRE are certified by Home Innovation Lab to meet CSA B45.5/IAPMO Z124. Terreon and TerreonRE are GREENGUARD® certified as low-emitting materials.

Access Panel

The access panel and transition cover of the Frequency Lav System not only conceals plumbing and electrical connections, but also reduces time needed for installation and maintenance. Access panel and transition cover are made from high impact polymer.

Mounting

The FL-Series includes heavy gauge stainless steel mounting brackets, eliminating the need for additional specifications and/or casework beneath the countertop. All Frequency Lavatory Systems meet or exceed industry standards for load testing.



Code Compliance and Certifications

ANSI Standards

Terreon and TerreonRE are certified by Home Innovation Lab to meet CSA B45.5/IAPMO Z124.

cUPC Approval

Frequency Lav Systems are Uniform Plumbing Code (UPC), International Plumbing Code (IPC) and National Plumbing Code of Canada (NPC) approved through the International Association of Plumbing and Mechanical Officials (IAPMO). Manufactured in compliance with IGC 156, CSA B45 Series (R08) & ASME A112.18.1/CSA B125.1.

- This plumbing fixture is designed for hand washing only. It is not intended to dispense water for human consumption through drinking or for preparation of food or beverages.
- Standard product selections contained within this document are third party **CERTIFIED** to NSF/ANSI 372 meeting the Lead-Free content requirement. Any product configured with custom options will be **COMPLIANT** with NSF/ANSI 372 meeting the Lead-Free content requirement.

Standard Height Mounting

The concave or lower hand washing stations are designed to be mounted at various heights to comply with all ADA guidelines on reaches and clearances. To comply with ADA, the rim height at the outside edge of the lower or concave station must be 34" max. above the finished floor. To be completely ADA compliant, the Frequency Lav System must be equipped with ADA-compliant faucets and access panel.

- The convex hand washing stations do not meet ADA Accessibility Guidelines. Always check local codes for compliance.

Juvenile Height Mounting

The concave hand washing stations are designed to be mounted at various heights to comply with all ADA and TAS guidelines on reaches and clearances. To comply with ADA for children, the rim height at the outside edge of the concave station must not exceed 31". Source: ADA Accessibility Guidelines for Buildings and Facilities (ADAAG) as amended through September 2002.

To comply with Texas Accessibility Standards for children, the concave (lower) hand washing stations must be mounted so the rim height at the outside edge does not exceed 30" or 32" based on age or grade level. For more information, contact the Texas Department of Licensing and Regulation.



Verify all rough-in dimensions prior to installation.

Consult local and national codes. Conformity and compliance to local and national codes is the responsibility of the installer.



FL-2H, FL-2L Frequency® Lavatory System – FL-Series

Standard Equipment

Models FL-2H & FL-2L

Multi-level deck with two lavatories, heavy gauge, stainless steel mounting brackets and two battery-operated faucets described below. Access panel and transition covers to enclose the following fittings: offset drain; P-trap; continuous waste with end outlet; flexible stainless steel supply connections; and ASSE 1070 Navigator® thermostatic mixing valve with stop valves.

Activation Controls

Capacitive Sensing Technology

The Aerada 1200 Series CS faucet creates an omnidirectional detection zone utilizing capacitive sensing technology. The capacitive sensing field triggers faucet activation only when a significant change in the capacitive field occurs. Only human presence will create a significant change in the capacitive field. As such, inanimate objects will not trigger faucet activation. The faucet is unaffected by varying skin tones, other infrared presence and soap scum build-up.

Valve

The electronically activated motor driven valve provides reliable performance since there are few moving parts. The valve includes an in-line filter to trap debris and is unaffected by most chemicals and minerals found in municipal water supplies. Valve features a factory-set maximum water run-on duration of 15 seconds. Valve control module features a manual override control for applications requiring periodic flushing of the water lines. The valve and electronics are enclosed in a water-resistant housing mounted below the fixture.

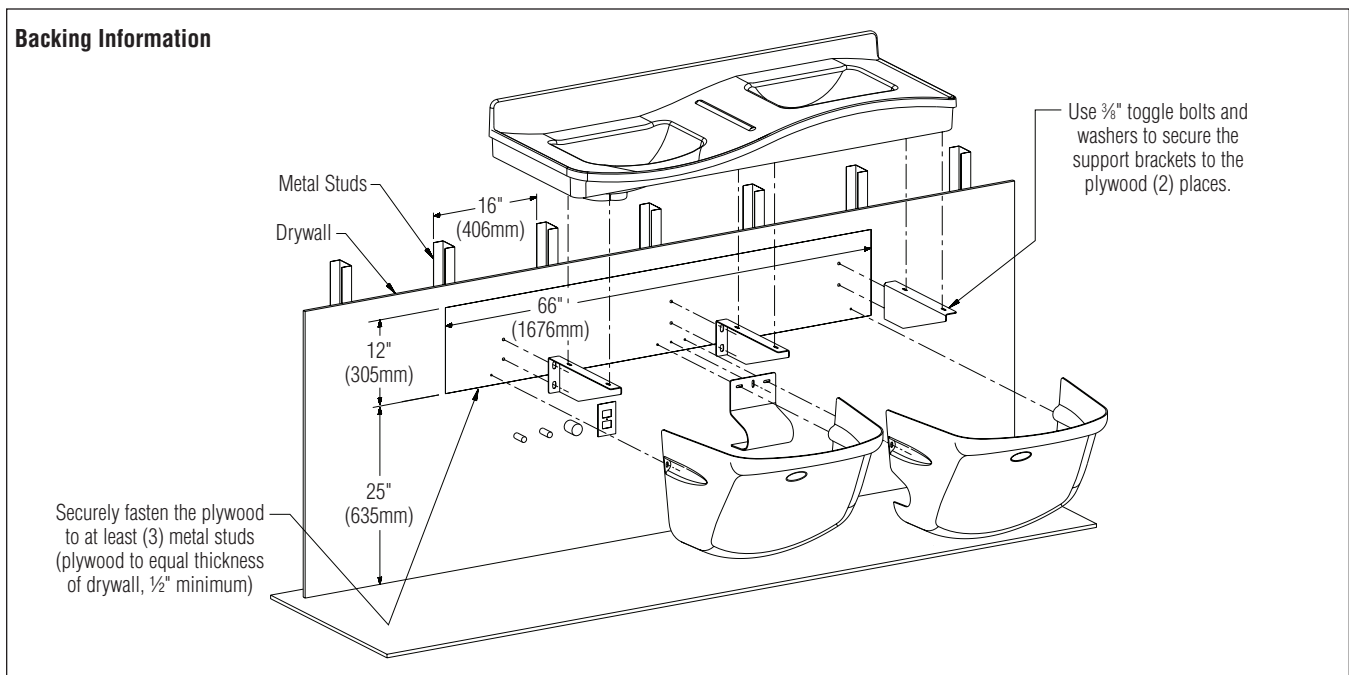
Flow Control/Rate

Operating water pressure range is 20–80 psi. Flow regulator keeps flow rate constant at all pressures. The flow is laminar at a rate of 0.16 gpc (gallons per cycle).

Optional Equipment

Models FL-2H & FL-2L

Liquid soap dispenser and plug-in adapter (to convert battery operated faucets).



Verify all rough-in dimensions prior to installation.

Consult local and national codes. Conformity and compliance to local and national codes is the responsibility of the installer.

Page 2 of 7

7/9/2018

This information is subject to change without notice.

Bradley_Sink_Frequency_FL-2L_2H

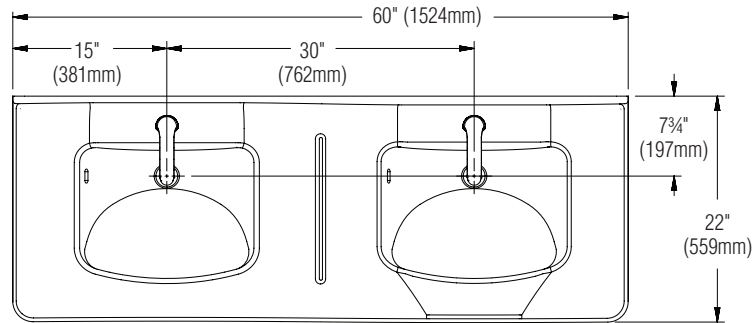
Protected by one or more of the following U.S. patents: D477,060, D507,634, D527,809, D537,927, and 7,039,963. Other patents pending.

© 2018 Bradley
P.O. Box 309, Menomonee Falls, WI 53052-0309
800 BRADLEY (800 272 3539) +1 262 251 6000
bradleycorp.com

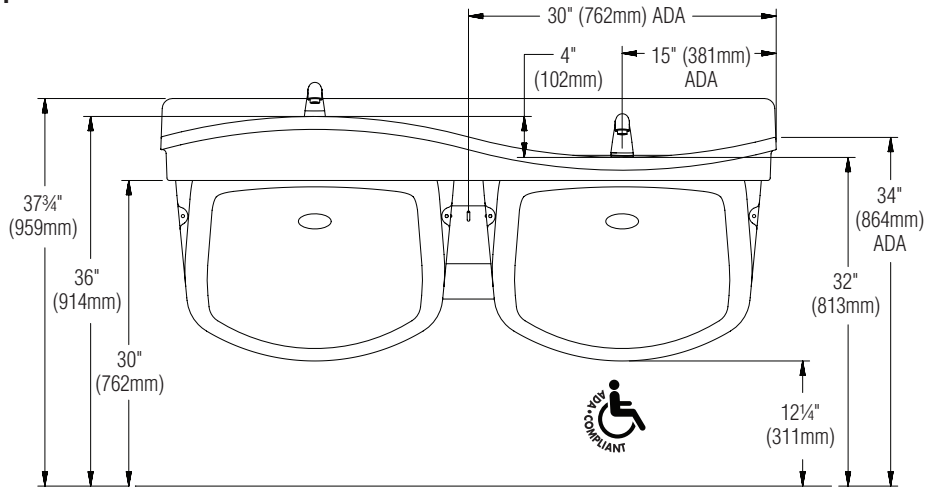


FL-2H, FL-2L Frequency® Lavatory System – FL-Series

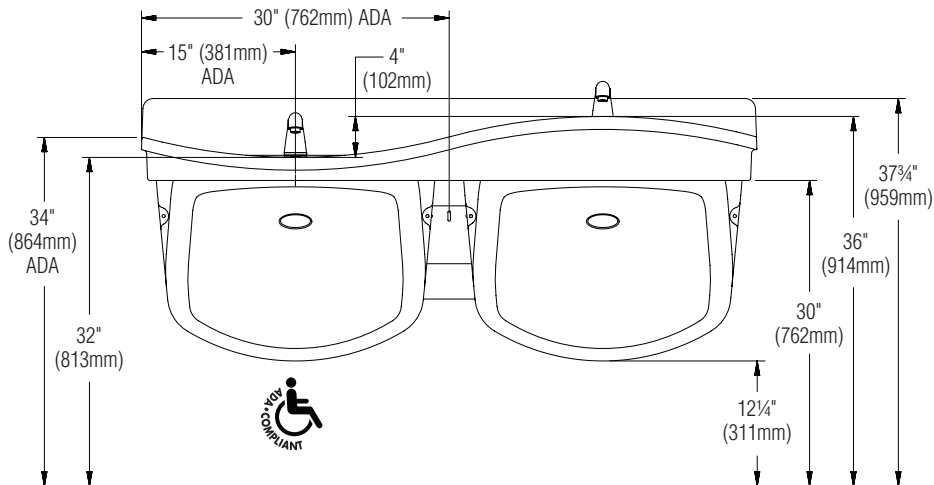
Dimensions – Top and Front Views



FL-2H



FL-2L



Verify all rough-in dimensions prior to installation.

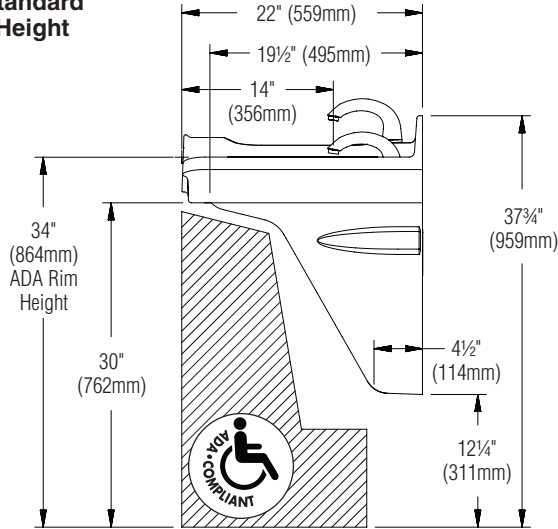
Consult local and national codes. Conformity and compliance to local and national codes is the responsibility of the installer.



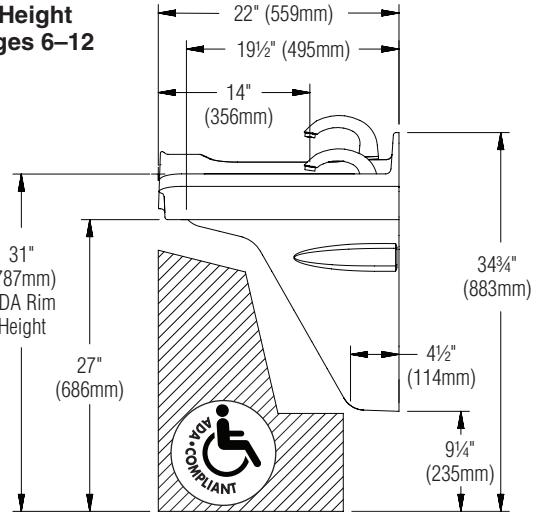
FL-2H, FL-2L Frequency® Lavatory System – FL-Series

Dimensions – Side Views

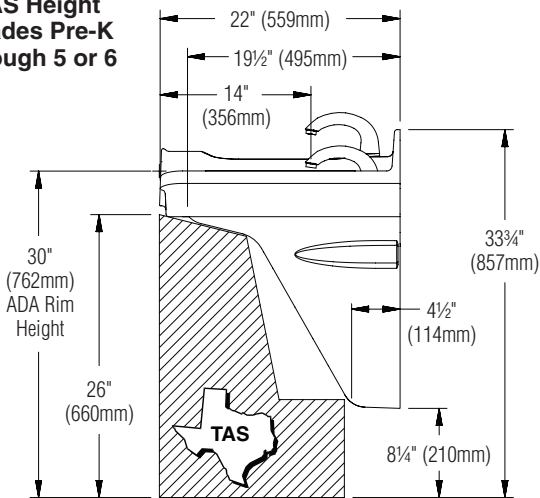
Standard Height



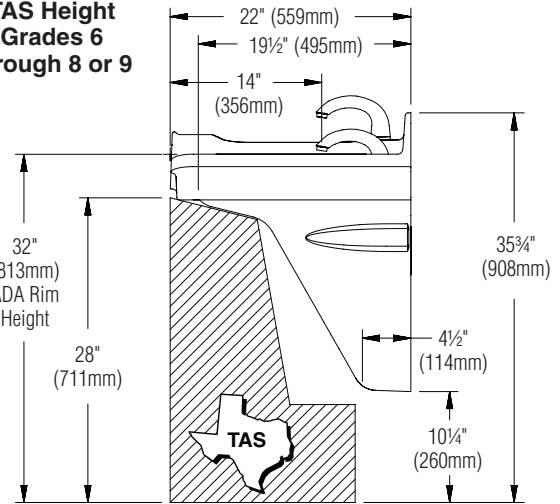
Juvenile Height Ages 6–12



TAS Height Grades Pre-K through 5 or 6



TAS Height Grades 6 through 8 or 9



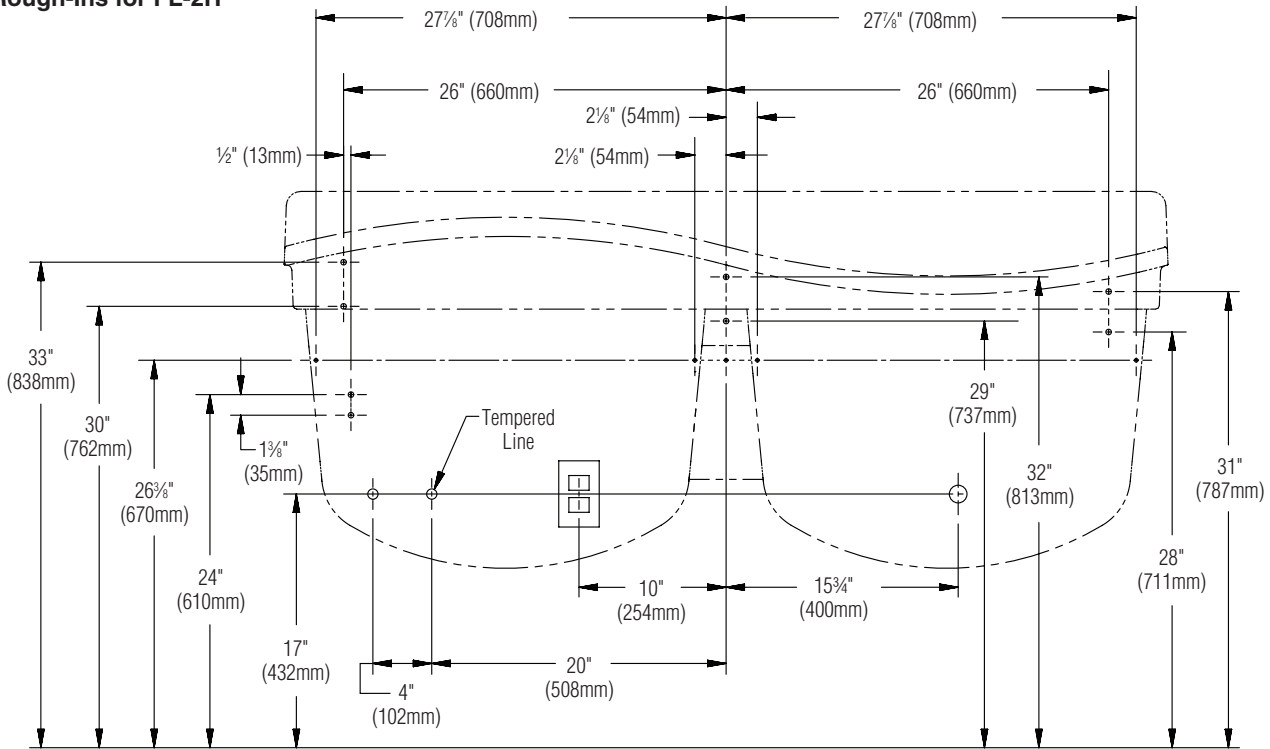
Verify all rough-in dimensions prior to installation.

Consult local and national codes. Conformity and compliance to local and national codes is the responsibility of the installer.



FL-2H, FL-2L Frequency® Lavatory System – FL-Series

Rough-Ins for FL-2H



Code	Description	Qty.
A	3/8" Lav Deck Anchors with a Minimum Pull-Out Force of 1,000 lbs.	6
B	#10 Wall Anchors/Fasteners for Mounting Trap/Transition Covers	5
H, C	1/2" Nominal Copper Tubing Hot/Cold Supplies, Stub-Out 2" From Wall	1
D	#10 Wall Anchors/Fasteners for Valve Mounting	2
E	110v GFI Protected Electrical Outlet	1
W	1 1/2" NPT Drain, stub out 2" from wall (for combined drain) NOTE: For individual drains, refer to page 9.	1
Rim Height	Vertical Height Adjustments for codes A–E, H, C and W	Fixture Style
34"	0	Standard Height
32"	Subtract 2"	TAS, Grades 6 through 8 or 9
31"	Subtract 3"	TAS, Pre-K through Grades 5 or 6
30"	Subtract 4"	Juvenile Height

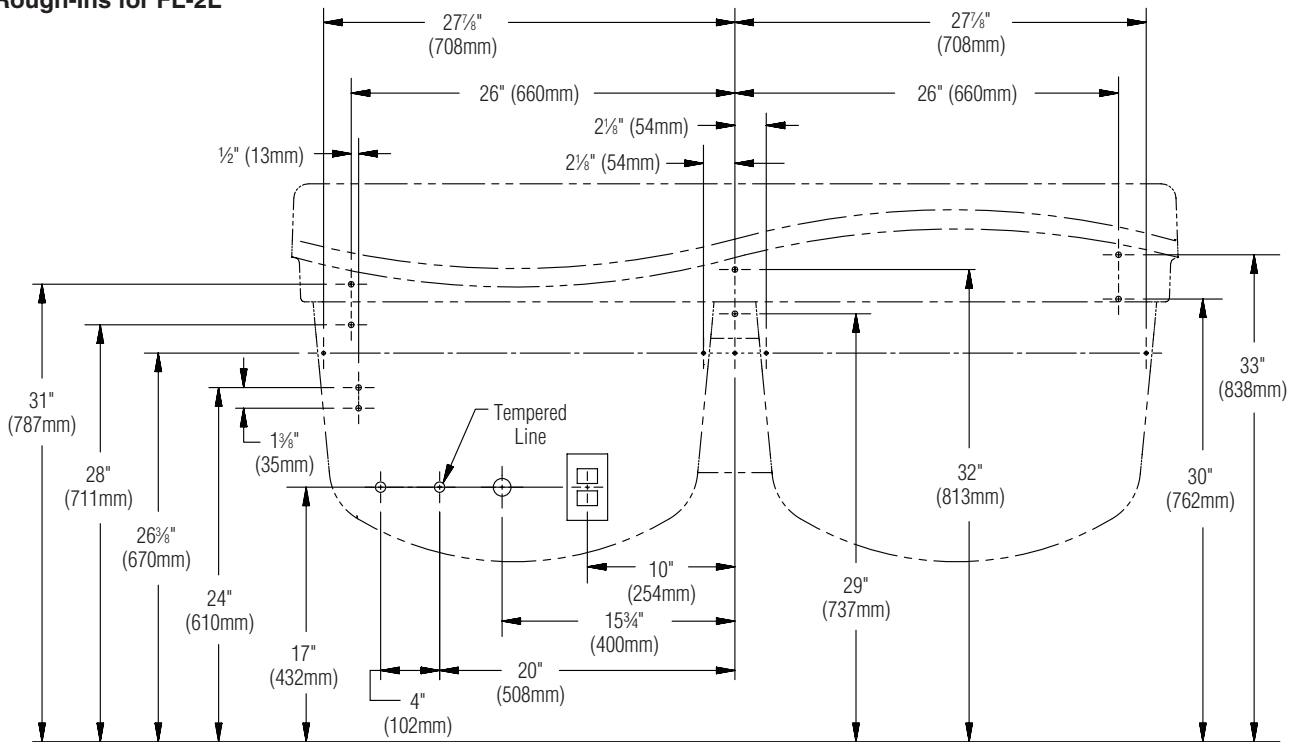
Verify all rough-in dimensions prior to installation.

Consult local and national codes. Conformity and compliance to local and national codes is the responsibility of the installer.



FL-2H, FL-2L Frequency® Lavatory System – FL-Series

Rough-Ins for FL-2L



Code	Description	Qty.
A	3/8" Lav Deck Anchors with a Minimum Pull-Out Force of 1,000 lbs.	6
B	#10 Wall Anchors/Fasteners for Mounting Trap/Transition Covers	5
H, C	1/2" Nominal Copper Tubing Hot/Cold Supplies, Stub-Out 2" From Wall	1
D	#10 Wall Anchors/Fasteners for Valve Mounting	2
E	110v GFI Protected Electrical Outlet	1
W	1 1/2" NPT Drain, stub out 2" from wall (for combined drain) NOTE: For individual drains, refer to page 9.	1
Rim Height	Vertical Height Adjustments for codes A–E, H, C and W	Fixture Style
34"	0	Standard Height
32"	Subtract 2"	TAS, Grades 6 through 8 or 9
31"	Subtract 3"	TAS, Pre-K through Grades 5 or 6
30"	Subtract 4"	Juvenile Height

Verify all rough-in dimensions prior to installation.

Consult local and national codes. Conformity and compliance to local and national codes is the responsibility of the installer.



FL-2H, FL-2L

Frequency® Lavatory System – FL-Series

Model	Description
<input type="checkbox"/> FL-2H	Frequency Lavatory System, Double Station (high on left)
<input type="checkbox"/> FL-2L	Frequency Lavatory System, Double Station (low on left)

Standard Selections (Must select one from each category)			
Faucet Type (select one):			
<input type="checkbox"/> S53-315	1200 Series CS Faucet, Centershank		
<input type="checkbox"/> S53-315/4"	1200 Series CS Faucet, 4" Centerset with Trimplate		
<input type="checkbox"/> 4"SET	4" Centerset (1-1/4" Drillings Only)		
<input type="checkbox"/> SHANK	Centershank (1-1/4" Drilling Only)		
<input type="checkbox"/> NFD	No Faucet Drilling		
Soap Dispenser Type (select one)			
<input type="checkbox"/> 6334	16 oz. Plastic Globe, 3-1/2" Spout**		
<input type="checkbox"/> 6324-68	32 oz. Plastic Globe, 4" Spout**		
<input type="checkbox"/> SDO	Soap Drilling Only		
<input type="checkbox"/> NSD	No Soap Dispenser		
Water Supply Type (select one):			
<input type="checkbox"/> TMA	Navigator Thermostatic Mixing Assembly (Hot & Cold Supplies - includes stops and supply hoses)		
<input type="checkbox"/> TL	Single Tempered Line (includes stops and supply hoses)		
<input type="checkbox"/> NONE	Supply Hoses and shut-offs by others		
Color of Terreon Bowl/Deck (select one)			
<i>Standard Colors</i>			
<input type="checkbox"/> ALP-WHT	Alpine White	<input type="checkbox"/> LONDON	London Gray
<input type="checkbox"/> AVALANCHE	Avalanche†	<input type="checkbox"/> MOONSTONE	Moonstone†
<input type="checkbox"/> BONE	Mesa Bone	<input type="checkbox"/> O-TAUPE	Organic Taupe
<input type="checkbox"/> CHAR	Charcoal Gray	<input type="checkbox"/> PEBBLE	Pebble Beach
<input type="checkbox"/> COBBLE	Cobblestone	<input type="checkbox"/> PEP-WHT	Peppered White
<input type="checkbox"/> DRIFT	Driftwood†	<input type="checkbox"/> POLAR	Polar Ice†
<input type="checkbox"/> DS-WHT	Designer White	<input type="checkbox"/> SAND	Sandtrap
<input type="checkbox"/> DUNE	Sand Dune†	<input type="checkbox"/> S-CREEK	Stone Creek
<input type="checkbox"/> E-GRAY	Empire Gray	<input type="checkbox"/> S-MIST	Silver Mist
<input type="checkbox"/> GLACIER	Glacier	<input type="checkbox"/> WHT-SAND	White Sand
<input type="checkbox"/> GRAPH	Graphite		
<input type="checkbox"/> LANNON	Lannonstone		
<i>Designer Colors* (available at an additional charge)</i>			
<input type="checkbox"/> ARC-CHIP	Arctic Chip	<input type="checkbox"/> COFFEE	Coffee Bean
<input type="checkbox"/> RIVER	Riverstone		
<i>TerreonRE Colors* (available at an additional charge)</i>			
<input type="checkbox"/> BIRCH-BARK	Birch Bark	<input type="checkbox"/> MOONDUST	Moondust
<input type="checkbox"/> DUSK	Dusk	<input type="checkbox"/> OAT	Oat
<i>Element Colors</i>			
<input type="checkbox"/> SS-GRAY	Soapstone Gray	<input type="checkbox"/> CA-TAN	Canyon Tan
Access Panel Type (select one)			
<input type="checkbox"/> COAL	Coal	<input type="checkbox"/> STEEL	Stainless Steel
Waste Assembly Type (select one)			
<input type="checkbox"/> CW-POLY	Polypropylene Combined Waste Assembly (1 p-trap/1 drain connection)		
<input type="checkbox"/> CW-CHROME	Chrome-Plated Combined Waste Assembly (1 p-trap/1 drain connection)		
<input type="checkbox"/> IW-POLY	Polypropylene (1 p-trap per station)		
<input type="checkbox"/> IW-CHROME	Chrome-Plated (1 p-trap per station)		
Optional Selections			
Faucet Adapter Type:			
<input type="checkbox"/> PT	Plug-in adapter to convert battery-operated S53-315 faucet		

*Non-cancelable, non-returnable

** Soap dispensers are located to the right of the faucets.

† This color contains large, randomly distributed chips.

Verify all rough-in dimensions prior to installation.

Consult local and national codes. Conformity and compliance to local and national codes is the responsibility of the installer.