

- ADA Compliant
- 2 Station Deck with Integral Bowls
- Contoured Front Apron and Coved Backsplash
- 9 Standard Configurations with Optional Extended Decks and Waste Receptacle Openings
- Bowls and Deck are Constructed of Vandal Resistant Terreon® or Terreon®RE Solid Surface Material
- Available in 32 Colors
- Optional Faucets, Soap Dispenser and Trap Cover

Construction

Counter Top/Bowl

Constructed of Terreon, a densified solid surface material composed of polyester resin, or TerreonRE, a densified solid surface material composed of a bio-based resin and preconsumer recycled granules. Terreon and TerreonRE are resistant to chemicals, stains, burns and impact. Surface damage can be easily repaired with everyday cleansers or fine grit abrasives. Terreon and TerreonRE are certified by NAHB to meet ANSI Z124.3, Z124.6 and ANSI/ICPA SS-1. Terreon and TerreonRE are GREENGUARD® certified as low-emitting materials.

Mounting

The LD-3060 Terreon and TerreonRE OmniDecks can be installed using heavy gauge stainless steel mounting brackets (included), in-wall carriers or wall cleating. These mounting options eliminate the need for casework beneath the deck.

Code Compliance and Certifications

ANSI Standards:

Terreon and TerreonRE are NAHB certified to meet ANSI Z124.3, Z124.6 and ANSI/ICPA SS-1.

cUPC Approval:

Terreon OmniDecks are Uniform Plumbing Code (UPC), International Plumbing Code (IPC) and National Plumbing Code of Canada (NPC) approved through the International Association of Plumbing and Mechanical Officials (IAPMO). Manufactured in compliance with IGC 156, CSA B45 Series (R08) & ASME A112.18.1/ADA 502.5.1.

- This plumbing fixture is designed for hand washing only. It is not intended to dispense water for human consumption through drinking or preparation of food or beverages.

Standard Height Mounting

Terreon and TerreonRE OmniDecks mounted at standard height are designed to comply with all ADA guidelines on reaches and clearances. To comply with ADA, the rim height of the LD-3060 OmniDeck must be 34" maximum above the finished floor. To be completely ADA compliant, the Terreon and TerreonRE OmniDecks must be equipped with ADA compliant faucets and optional OmniDeck trap cover.

Juvenile Height Mounting

The LD-3060 OmniDeck mounted with counter surface no higher than 31" is compliant with Americans with Disabilities Act (ADA) Accessibility Guidelines for Buildings and Facilities: Building Elements Designed for Children's Use; Final Rule.

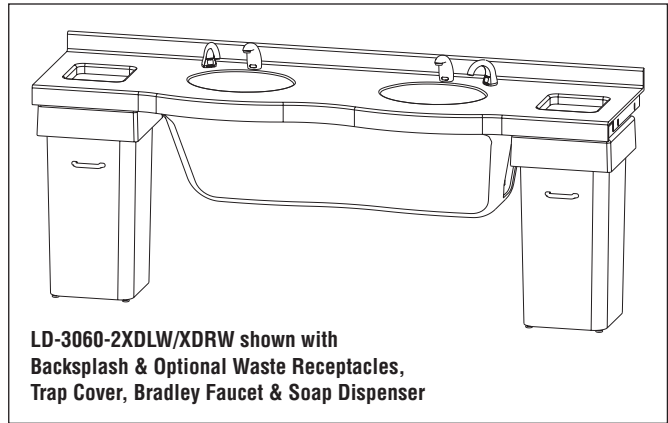
Standard Equipment

See description of standard equipment and standard selections.

Verify all rough-in dimensions prior to installation.

Consult local and national codes. Conformity and compliance to local and national codes is the responsibility of the installer.

Plumbing Fixtures Document No. 1095 Page 1 of 4
This information is subject to change without notice.
2/9/2012







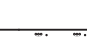




Model

Model No.	Deck Width	Bowl Size	Description of Standard Equipment
LD-3060-2	60"	16" x 14" x 5 3/4"	Two Station Terreon OmniDeck with integral bowls, contoured deck, 3" backsplash and 3" front apron. Includes mounting brackets, combined waste and single P-Trap.

Standard Selections

All OmniDecks are non-cancelable and non-returnable.

Extended Decks (check all that apply)

<input type="checkbox"/> Standard		LD-3060-2 (Standard)
<input type="checkbox"/> XDL Extended Deck Left		LD-3060-2 XDL
<input type="checkbox"/> XDR Extended Deck Right		LD-3060-2 XDR
<input type="checkbox"/> XDLW Extended Deck Left Waste Receptacle Opening		LD-3060-2 XDL/XDR
<input type="checkbox"/> XDRW Extended Deck Right Waste Receptacle Opening		LD-3060-2 XDLW
		LD-3060-2 XDRW
		LD-3060-2 XDLW/XDRW
		LD-3060-2 XDL/XDRW
		LD-3060-2 XDR/XDLW



Standard Selections (Continued)

(Must select one from each category)

Faucet Drilling (select one) *

- | | |
|---|--|
| <input type="checkbox"/> SHANK Centershank | <input type="checkbox"/> 8" SET 8" Centerset |
| <input type="checkbox"/> 4" SET 4" Centerset | <input type="checkbox"/> NFD No Faucet Drilling |

Soap Dispenser (select one)

- | |
|---|
| <input type="checkbox"/> 6324 16oz Plastic Globe 2-1/2" Spout |
| <input type="checkbox"/> 6324-67 16oz Stainless Steel Globe, 2-1/2" Spout |
| <input type="checkbox"/> 6324-68 32oz Plastic Globe, 2-1/2" Spout |
| <input type="checkbox"/> SDO Soap Drilling Only |
| <input type="checkbox"/> NSD No Soap Dispenser |
| <input type="checkbox"/> 6315 Sensor Operated Soap Dispenser** (Must order as separate line items) |
| <input type="checkbox"/> P19-232B 1000 Shot or 27oz. Lotion Soap with Moisturizer *** |
| <input type="checkbox"/> P19-232A 2000 Shot or 54oz. Lotion Soap with Moisturizer *** |
| <input type="checkbox"/> P19-231F AC Adapter - 6315 |

Color of Terreon® Deck (select one)

Standard Colors

- | | |
|--|---|
| <input type="checkbox"/> E-GRAY Empire Gray | <input type="checkbox"/> SAND Sandtrap |
| <input type="checkbox"/> BONE Mesa Bone | <input type="checkbox"/> WHT-SAND White Sand |
| <input type="checkbox"/> CHAR Charcoal Gray | <input type="checkbox"/> LONDON London Gray |
| <input type="checkbox"/> DS-WHT Designer White | <input type="checkbox"/> GRAPH Graphite |
| <input type="checkbox"/> JADE Jade | <input type="checkbox"/> LANNON Lannonstone |
| <input type="checkbox"/> FIESTA Fiesta | <input type="checkbox"/> COBBLE Cobblestone |
| <input type="checkbox"/> PEP-WHT Peppered White | <input type="checkbox"/> O-TAUPE Organic Taupe |

Designer Colors (available at an additional charge)

- | | |
|--|---|
| <input type="checkbox"/> ARC-CHIP Arctic Chip | <input type="checkbox"/> COFFEE Coffee Bean |
| <input type="checkbox"/> S-SAGE Summer Sage | <input type="checkbox"/> CORN Cornfield |
| <input type="checkbox"/> RIVER Riverstone | <input type="checkbox"/> BLUESKY Blue Sky |
| <input type="checkbox"/> MYSTIC-M Mystic Moss | <input type="checkbox"/> HILLSIDE Hill Side |
| <input type="checkbox"/> STAR-D Stardust | <input type="checkbox"/> MOUNTAIN Mountain Top |

TerreonRE Colors (available at an additional charge)

- | | | |
|---|--|---|
| <input type="checkbox"/> BIRCH-BARK Birch Bark | <input type="checkbox"/> MAIZE Maize | <input type="checkbox"/> OCEAN-MIST Ocean Mist |
| <input type="checkbox"/> DUSK Dusk | <input type="checkbox"/> MOONDUST Moon Dust | <input type="checkbox"/> OLIVE Olive |
| <input type="checkbox"/> FERN Fern | <input type="checkbox"/> OAT Oat | |

Terreon Bowl Color (select one)

- | | |
|---|---|
| <input type="checkbox"/> SAME Same as Deck | <input type="checkbox"/> LONDON London Gray |
| <input type="checkbox"/> DS-WHT Designer White | <input type="checkbox"/> O-TAUPE Organic taupe |
| <input type="checkbox"/> BONE Mesa Bone | |

Style of Edging (select one)

- | |
|--|
| <input type="checkbox"/> RO Roundover |
| <input type="checkbox"/> BV Beveled |

Side Apron (select one)

- | | |
|--|--|
| <input type="checkbox"/> LSA Left Side Apron | <input type="checkbox"/> BSA Both Side Aprons |
| <input type="checkbox"/> RSA Right Side Apron | <input type="checkbox"/> NSA No Side Aprons |

Side Splash - Shipped loose (select one)

- | | |
|---|--|
| <input type="checkbox"/> LSS Left Side Splash | <input type="checkbox"/> BSS Both Side Splash |
| <input type="checkbox"/> RSS Right Side Splash | <input type="checkbox"/> NSS No Side Splash |

Optional Selections

- | | |
|---|--|
| <input type="checkbox"/> TC-PUTTY | Putty-Colored Contoured Trap Cover |
| <input type="checkbox"/> TC-COAL | Coal-Colored Contoured Trap Cover |
| <input type="checkbox"/> TC-PUTTY-V2 | Putty-Colored Trap Cover with Soap Access Opening (for use with 6315 Soap Dispenser) |
| <input type="checkbox"/> TC-COAL-V2 | Coal-Colored Trap Cover with Soap Access Opening (for use with 6315 Soap Dispenser) |
| <input type="checkbox"/> WR-PUTTY | 21-Gallon Capacity Waste Receptacle with Putty-Colored Retainer |
| <input type="checkbox"/> WR-COAL | 21-Gallon Capacity Waste Receptacle with Coal-Colored Retainer |
| <input type="checkbox"/> KWC | Terreon® Kneewall Cap |

Water Supply:

- | | |
|-------------------------------------|--|
| <input type="checkbox"/> TMA | Vernatherm Thermostatic Mixing Assembly Includes (2) Stop, Strainer and Check Valves |
| <input type="checkbox"/> TL | Single-Tempered Line |

- The LD-3060 is a welded piece design. Seaming or the joining of two components is not recommended.

DISCONTINUED

Verify all rough-in dimensions prior to installation.

Consult local and national codes. Conformity and compliance to local and national codes is the responsibility of the installer.

Plumbing Fixtures
Document No. 1095

Page 2 of 4
This information is subject to change without notice.
2/9/2012

* For more information on faucets, valves, transformers, and cabinets, please refer to the Faucet Section of the Bradley Plumbing Fixtures Catalog or <http://www.bradleycorp.com>

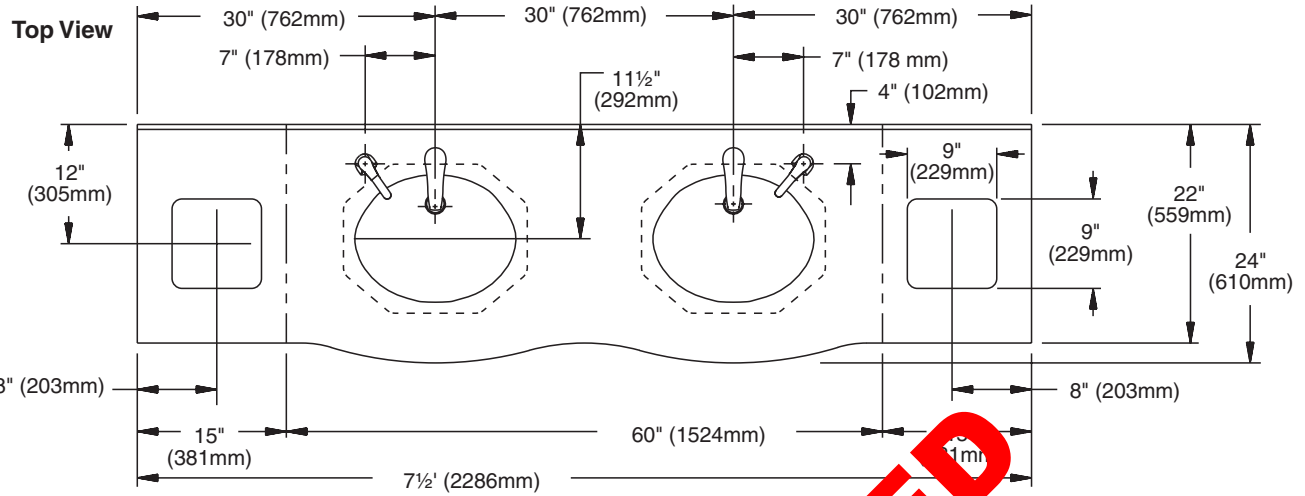
** For more information on the sensor operated soap dispenser please refer to Document No. 8653 or <http://www.bradleycorp.com>

*** Lotion soap with moisturizer sold in case quantity – 4 bottles per case.

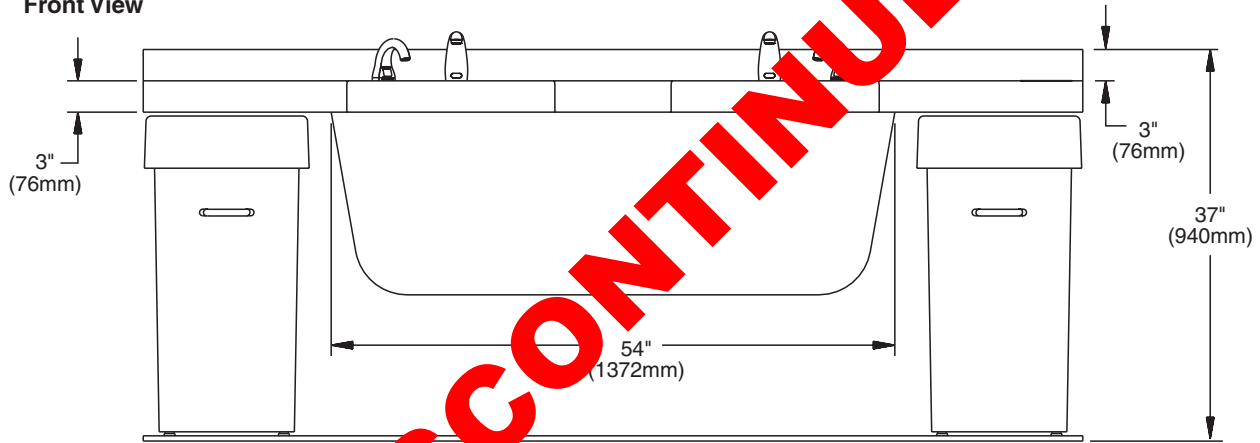
All OmniDecks are non-cancelable and non-returnable because they are made to specification for each order.

© 2012 Bradley
P.O. Box 309, Menomonee Falls, WI 53052-0309
Phone: 800.BRADLEY (800.272.3539) Fax: 262.251.5817
bradleycorp.com

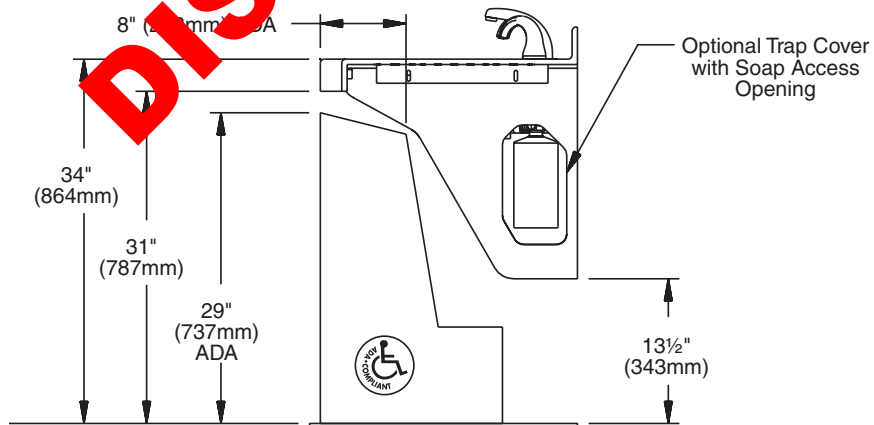
Dimensions (Shown with Optional Selections)



Front View

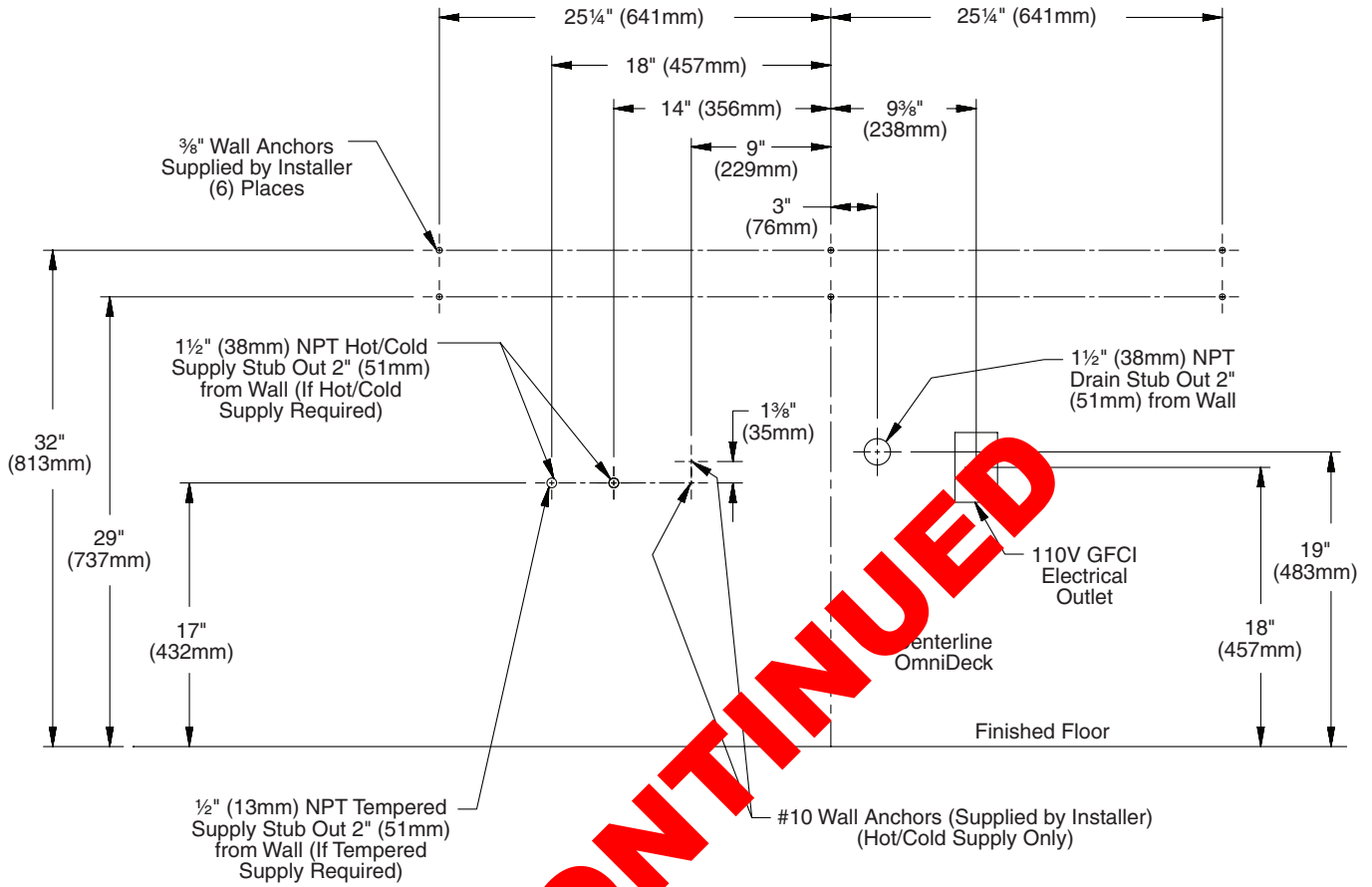


Side View

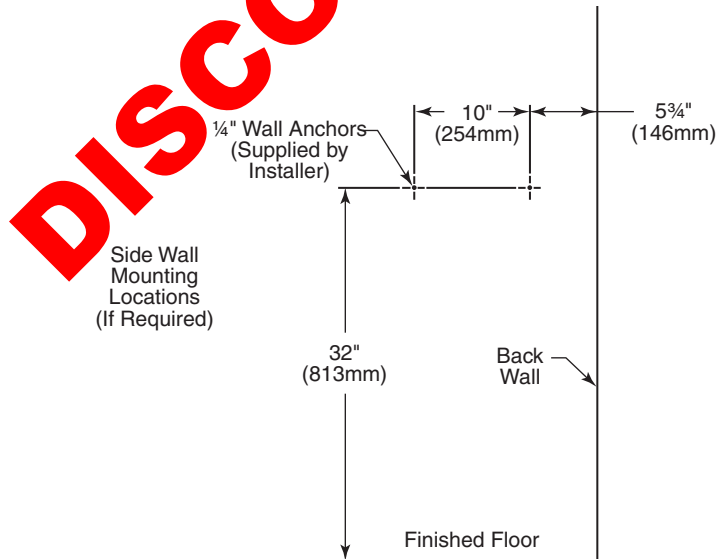


DISCONTINUED

Rough-Ins



Side Rough-In View



DISCONTINUED