

- Serves 1-2 Users at a Time
- Commercial or Institutional Applications
- Saves Water, Energy and Space
- Highly Vandal Resistant

### Specifications

#### Size and Capacity

Accommodates 1-2 users at a time, using less water, energy and space than two lavs equipped with conventional faucets. The pre-assembled sprayhead module is equipped with two independent streamformers, each controlled by a separate push button or infrared sensor-actuated solenoid valve.

#### Flow Control/Rate

Operating water pressure range is 20–80 psi. Flow regulators keep flow rate constant at all pressures. A flow restrictor keeps the flow rate at constant a .5 GPM under any pressure.

### Construction

#### Bowl and Pedestal Materials

Bowl and pedestal panels constructed of precast Terrazzo composed of 85% stone and 15% binder. Heavy steel reinforcing rods are cast into the bowl. Bowls and pedestal panels are ground, polished and finished with a clear urethane finish. Pedestal consists of two precast side panels, two heavy gauge stainless steel wall-mounting plates, one heavy gauge stainless steel front access panel and floor and bowl anchor brackets.

#### Vandal Resistance

The molded sprayhead is an integral element of the bowl assembly. All escutcheons and infrared sensors are secured to the unit from inside the sprayhead module. All valving, water supplies and waste connections are safely concealed inside the washfountain. The heavy gauge front access panel is removable only with a hex key.

### Standard Equipment

#### Valves and Fittings

In addition to the bowl and pedestal, the following valves and fittings are standard: Navigator® thermostatic mixing valve, stop valves, drain spud and lockout. Stop valves mount onto 1/2" nominal copper tubing.

### Activation Controls

#### Air Valve Hand Control

Each push button pneumatically actuates a non-hold-open, air metering, single-temperature valve with field adjustable timing from 2–45 seconds. Factory preset at 10 seconds. Each push button activates one valve which, in turn, activates one station. Push button requires less than five pounds of pressure.

#### Infrared Control

Each of the stream formers is controlled by a separate solenoid valve. Hands placed within the bowl are detected by an infrared sensor module, which activates a flow of tempered water from one spray nozzle. Shut-off is automatic after hands are removed from the detection area. The infrared sensor uses two zone-focused infrared transmitting beams, having a detection area adapted to, but not exceeding, the bowl perimeter. The detection range projects 6–9 inches forward at a 30° angle to each side and reaches 15° below horizontal. The infrared sensor is not affected by varying color tones or darkness. Direct sunlight or bright washroom lights will not activate the system. Infrared models also include solenoid valves and a low voltage transform as standard equipment:



- Solenoid – 24v, 60 Hz, 5/16" tube fitting. Few moving parts, and resistant to most chemicals, minerals, and impurities often present in municipal water supplies.
- Low-voltage Transformer – Class II UL/CSA listed, 110/24 VAC plug-in transformer. Plugs into a standard GFCI protected electrical outlet. Location of transformer per local electrical code.

#### TouchTime® Hand Control

Each low-voltage button actuates a non-hold-open, slow-closing anti-hammer solenoid valve that is timed from an electronic, potted assembly. Each push button activates one valve which, in turn, activates one station. TouchTime® controls water flow at each station through the use of solid state, digital circuitry. Timing is electronically controlled at 15 seconds. Push button requires less than five pounds of pressure.

### Code Compliance and Certifications

#### UPC Approval

Terrazzo Washfountains are Uniform Plumbing Code (UPC), International Plumbing Code (IPC) and National Plumbing Code of Canada (NPC) approved through the International Association of Plumbing and Mechanical Officials (IAPMO). Manufactured in compliance with IGC 156-2009, CSA B45 Series-2002 (R08) & ASME A112.18.1-2005/CSA B125.1-2005.



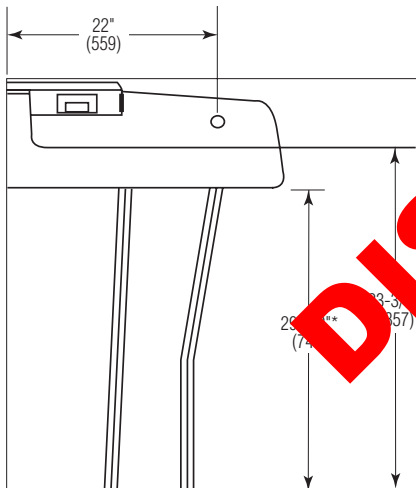
<b>Standard Selections</b> (Must select one from each category)	
<b>Valves (select one)</b>	
<input type="checkbox"/> <b>AST4</b>	Air Metering
<input type="checkbox"/> <b>IR</b>	Infrared Sensor
<input type="checkbox"/> <b>TT</b>	TouchTime Metering
<b>Pedestal Height (select one)</b>	
<input type="checkbox"/> <b>STD</b>	Standard Height
<input type="checkbox"/> <b>JUV</b>	Juvenile Height
<input type="checkbox"/> <b>OBC</b>	Ontario Building Code Height
<b>Soap Dispenser (select one)</b>	
<input type="checkbox"/> <b>LSD</b>	Liquid Soap Dispenser
<input type="checkbox"/> <b>NSD</b>	No Soap Dispenser
<b>Color of Terrazzo Bowl (select one)</b>	
<i>Standard Colors</i>	
<input type="checkbox"/> <b>GRANITO</b>	Granito
<input type="checkbox"/> <b>WHT-MARM</b>	White Marmorite
<i>Premium Colors (available at additional charge)</i>	
<input type="checkbox"/> <b>D-ROSE**</b>	Dusty Rose
<input type="checkbox"/> <b>W-GRAY**</b>	Whisper Gray
<b>Supply (select one)</b>	
<input type="checkbox"/> <b>TMA</b>	Navigator Thermostatic Mixing Assembly (Hot and Cold Supplies)
<input type="checkbox"/> <b>TL</b>	Single Tempered Line

\*\* Non-cancelable, not-returnable

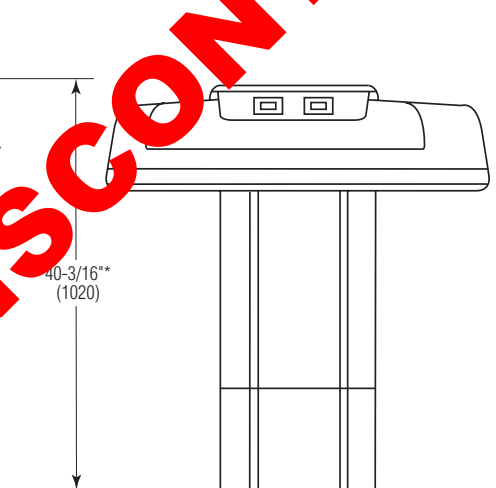
### Dimensions

(mm)

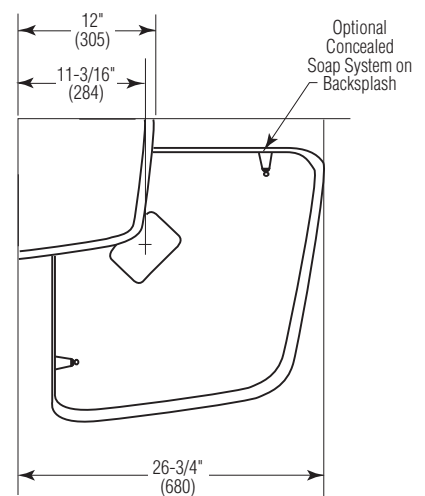
#### Side View



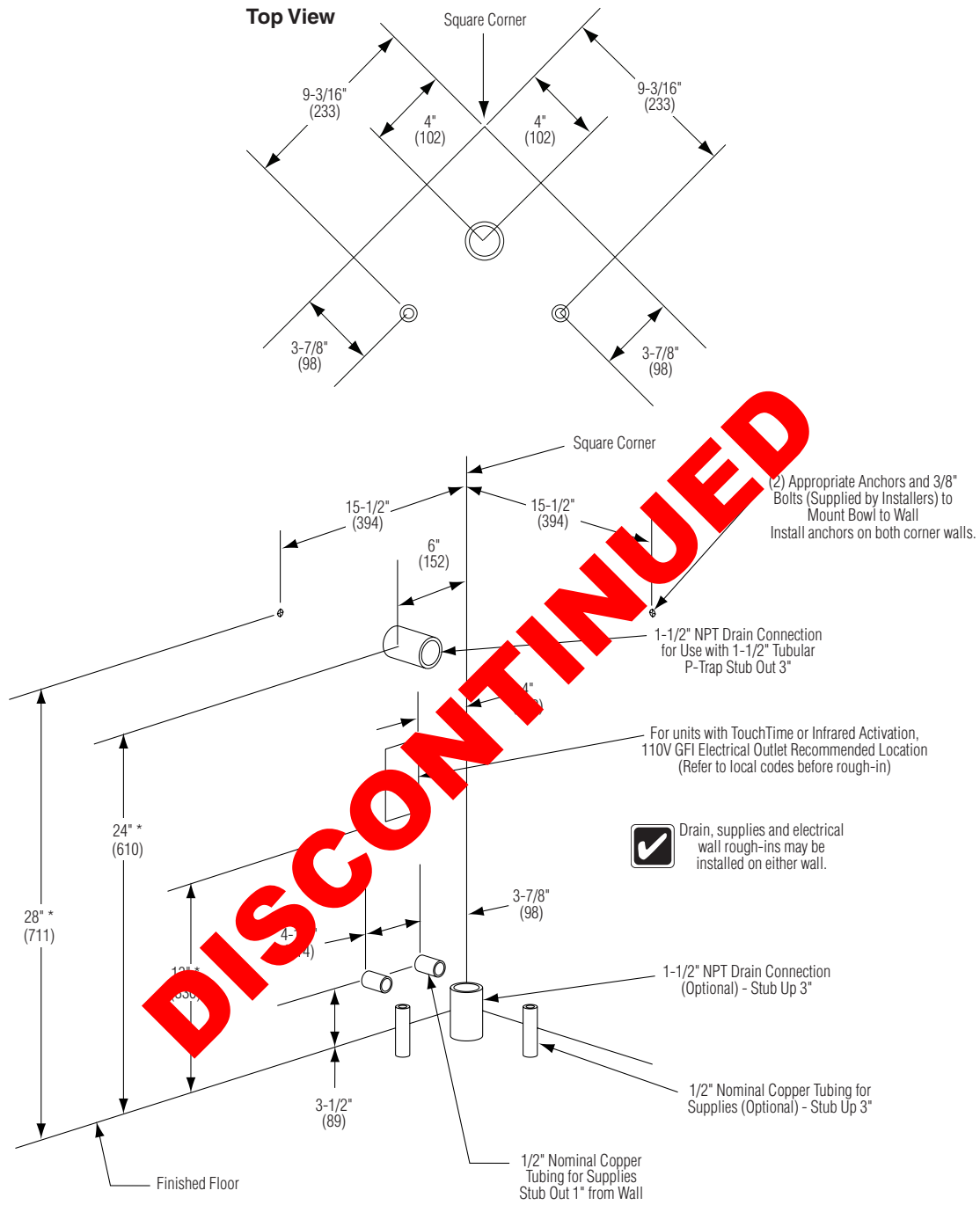
#### Front View



#### Top View



\* Subtract 1" from these dimensions for Ontario Building Code Height or 4" for Juvenile Height Model.



\* Subtract 1" from these dimensions for Ontario Building Code height or 4" for Juvenile Height Model.