

Installation

MF2902/TT

Terrazzo Corner-Fount™ Washfountain
(Standard*, Juvenile and OBC Height)

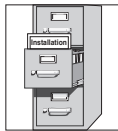
* Standard Height is ADA Compliant



Table of Contents

Parts Included with the Tri-Fount™	2
Installation Instructions	3-8
Cleaning and Maintenance Instructions	8
Solenoid Valve Troubleshooting	9
Thermostatic Mixing Valve Troubleshooting	11

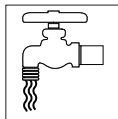
IMPORTANT!



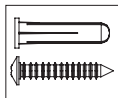
Read this entire installation manual to ensure proper installation. When finished with the installation, return this manual with the owner or maintenance department.



Separate parts from packaging and make sure all parts are accounted for before discarding any packaging material. If any parts are missing, do not begin installation until you obtain the missing parts.



Water supply requires a flowing pressure of at least 20 psi, but no greater than 80 psi. Make sure that all water supply lines have been flushed and then completely turned off before beginning installation. Debris in supply lines can cause valves to malfunction.



Hardware supplied by installer must be appropriate for wall construction. Wall anchors used must have a minimum pull-out rating of 1,000 lbs.



The TouchTime® control must be connected with a 24 VAC Class II transformer. Connections to 110 VAC can cause personal injury and will result in damage to the electronics.

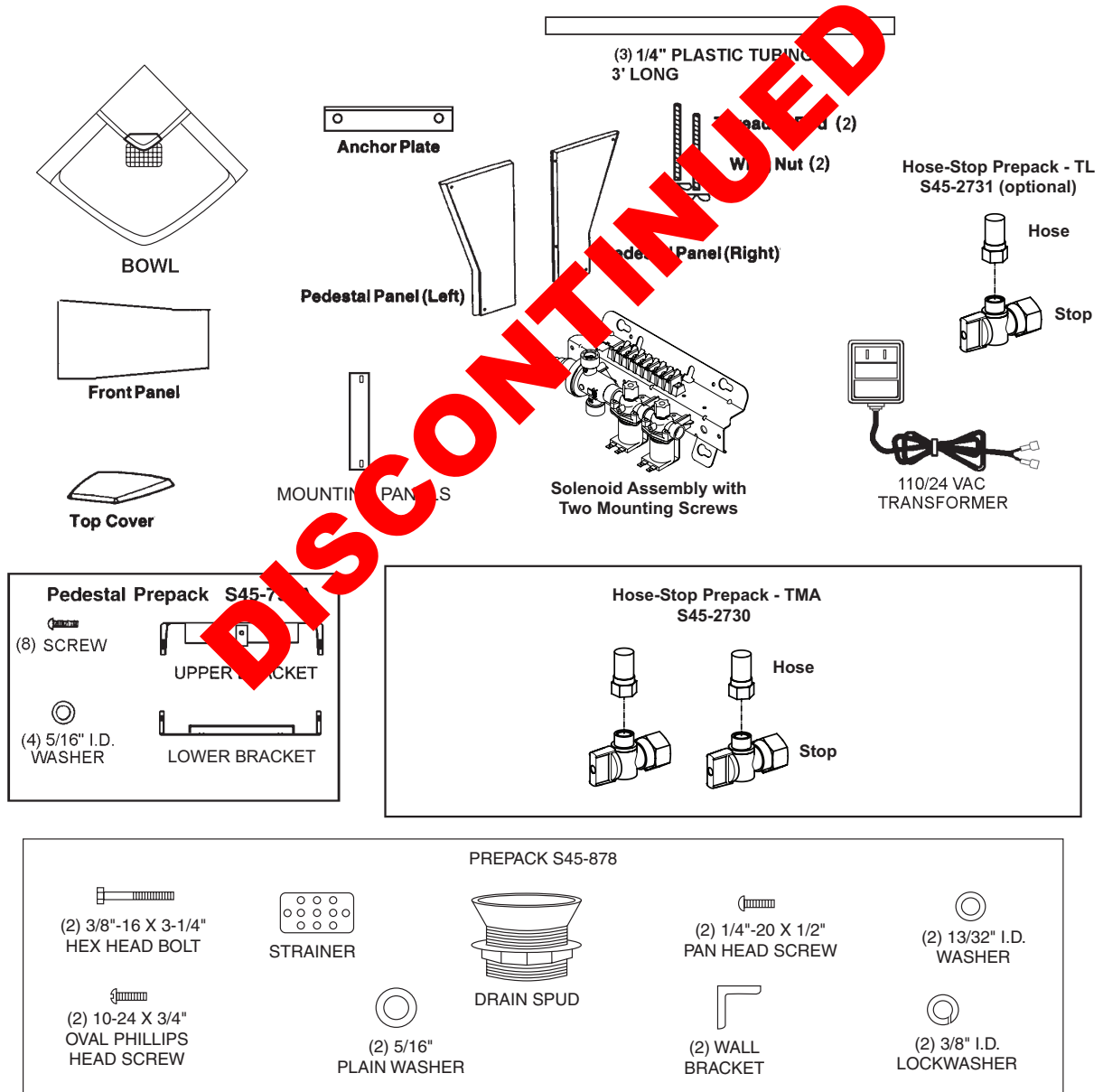


Product warranties may be found under "Product Information" on our web site at www.bradleycorp.com.

Supplies Required by Installer


- (2) 3/8" diameter bolts with washers and (2) wall anchors appropriate for your installation
- (2) 3/8" diameter bolts with washers and (2) floor anchors appropriate for your installation
- 1/2" nominal copper tubing for hot and cold water supply lines
- 1-1/2" NPT drain trap and waste connection
- Pipe sealant and plumber's putty
- 110 VAC power source for 110/24 VAC plug-in transformer supplied
- OPTIONAL: Bradley recommends installing an electrical cut-off switch to the unit. This feature prevents accidental water delivery during regular maintenance and service.


Parts included with the Corner-Fount



DISCONTINUED

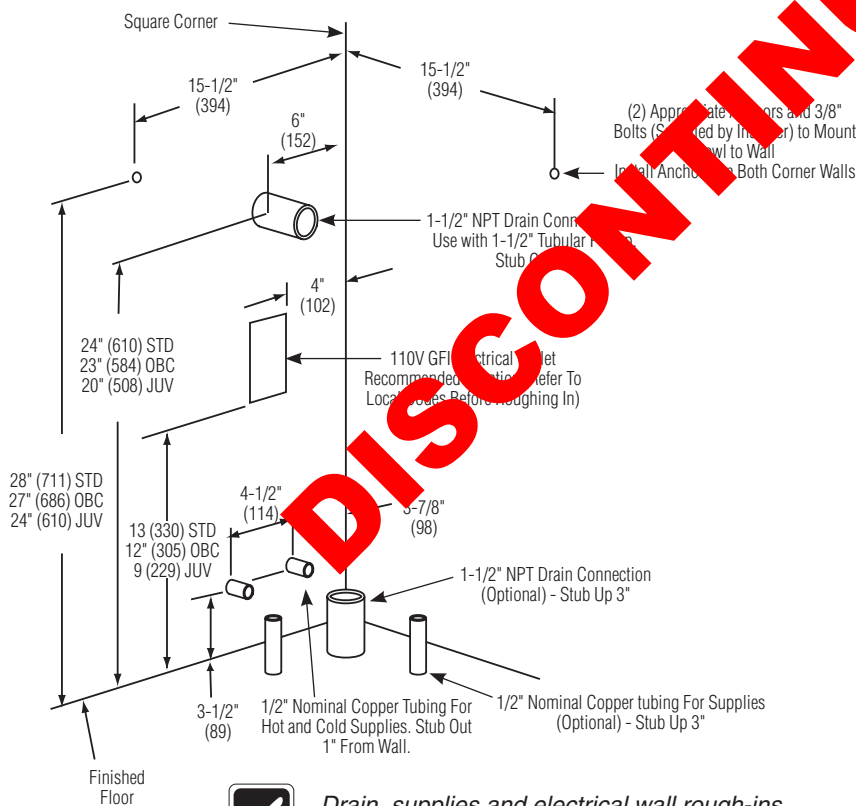
1 Rough-Ins

 Flush the supply lines before making connections. Debris in supply lines will cause the valves to malfunction.

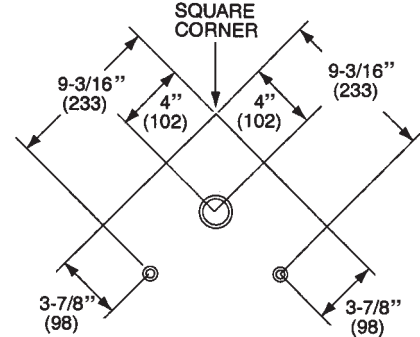
 Compliance and conformity to local codes and ordinances is the responsibility of the installer.

A Rough in 1/2" nominal copper tubing for hot and cold supply lines through wall or floor at dimensions shown.


B Rough in 1-1/2" NPT drain waste connection through wall or floor at dimensions shown.



CORNER FLOOR ROUGH-IN DIMENSIONS (TOP VIEW)



(mm)

 Drain, supplies and electrical wall rough-ins may be installed on either wall.

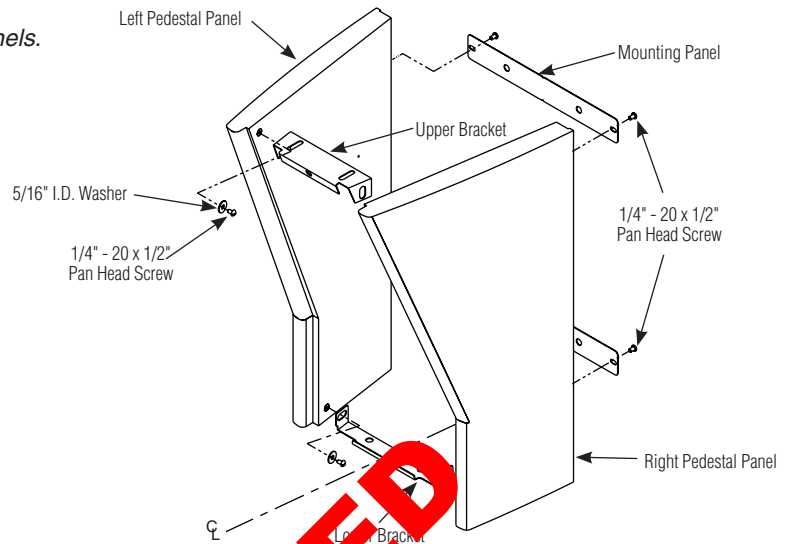
2 Assemble Pedestal

Washers are not utilized on back of mounting panels.

A Fasten the mounting panels to the pedestal with four pan head 1/4" - 20 x 1/2" screws.

B Install the upper bracket to the pedestal panels with two pan head 1/4" - 20 x 1/2" screws and 5/16" I.D. washers.

C Install the lower bracket to the pedestal panels with two pan head 1/4" - 20 x 1/2" screws and 5/16" I.D. washers.



3 Install Pedestal

Remove molding strips or tiles which could prevent a flush mounting to the wall.



A Measure and mark the centerline of the wall and floor.

B Before mounting the pedestal to the floor, make sure the floor is level. If it is not level, be prepared to install shims when positioning the pedestal in Step C.

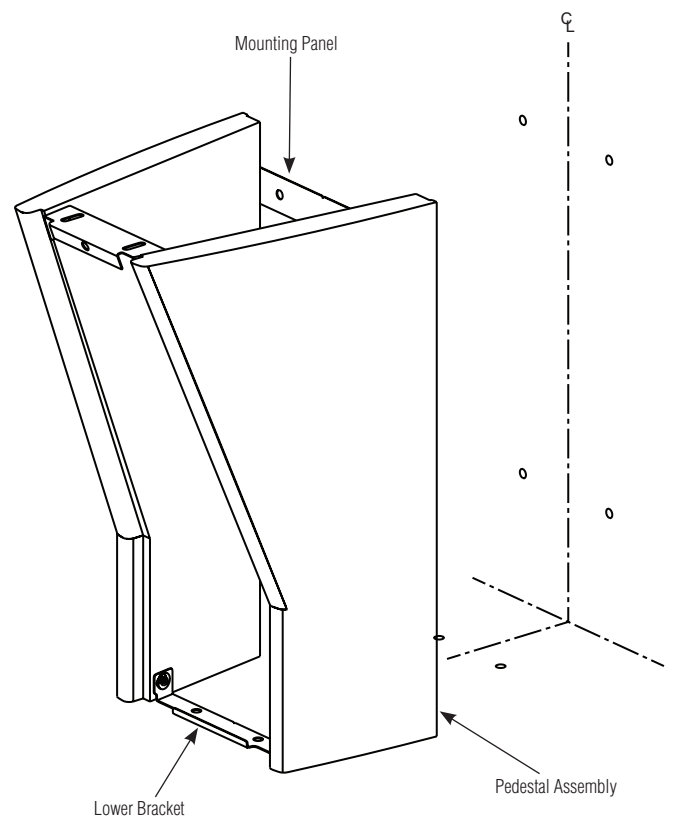
C With someone to assist you, move the pedestal assembly to the wall using appropriate lifting procedures, and align the mounting notches on the mounting panel with the centerline marked on the wall. If the floor is not level, install shims under the left and/or right pedestal.

D Drill holes in the wall through the four 1/2" diameter holes in the mounting panel and install four anchors (supplied by installer) for 3/8" bolts.

E Secure the pedestal assembly to the wall anchors using four 3/8" bolts and washers (supplied by installer).

F Drill holes in the floor through the two 1/2" diameter holes in the lower bracket and install two anchors (supplied by installer) for 3/8" bolts.

G After floor anchors are installed, secure the pedestal assembly to the floor anchors using two 3/8" bolts and washers (supplied by installer).



4 Install Valve Assembly

The letter "H" on the Navigator® mixing valve indicates hot water supply inlet.

A Attach the stops to hot and cold water supply piping from the wall.

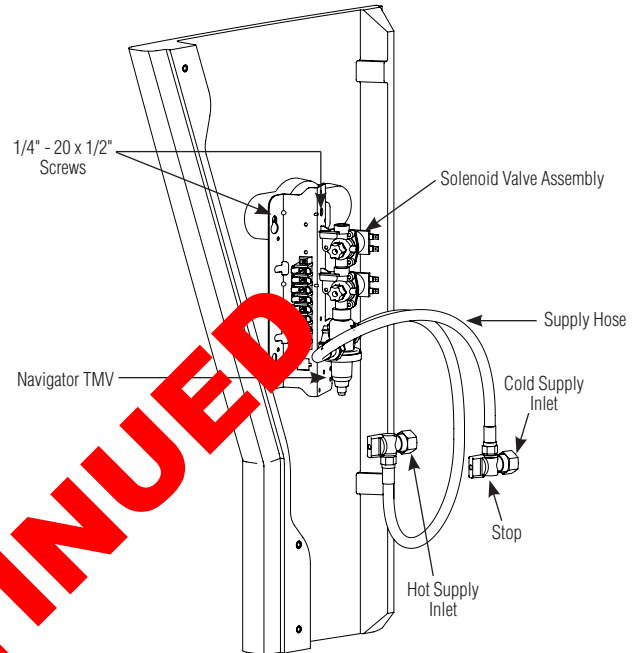
B Connect one end of each supply hose to the stops.

C Inside the pedestal, install the two 1/4" - 20 x 1/2" screws (supplied with valve assembly) in the mounting holes on the side of the left pedestal panel. Do not thread the screw completely into the panel, but allow 5/16" of the screw to be exposed.

D Connect the other end of each supply hose to the Navigator TMV valve assembly (one on the hot side, one of the cold side).

E Mount the valve bracket to the left side of the pedestal.

F For optional single tempered supply: attach the stop to the 1/2" tempered supply line. Connect the stop to the valve assembly with the flexible supply hose.



DISCONTINUED

5 Assemble and Install Bowl



Do not leave the bowl on the pedestal unsupported, as it may fall and cause personal injury or damage to property.



Discard rubber gasket included with drain spud. It cannot be used in this application.



A Install two 3/8" wall anchors (supplied by installer) which will be used to mount the bowl to wall (see rough-ins on page 4).

B With the help of an assistant, carefully lift the bowl onto the pedestal frame. Ensure bowl remains 3-4" from the wall.

C Install the two wall anchor brackets to the back of the bowl using the 3/8" - 16 x 1-1/2" hex-head bolts, 13/32" I.D. plain washers, anchor plates, 3/8" I.D. lockwashers, and 3/8" - 16 hex nuts provided.

D Slide the bowl back to the wall and secure the bowl's wall brackets to the wall anchors with two 3/8" bolts and washers (supplied by installer).

E Fasten the bowl to the upper bracket on the pedestal assembly with the two 1/4" - 20 x 1/2" round-head screws and 5/16" I.D. washers supplied.

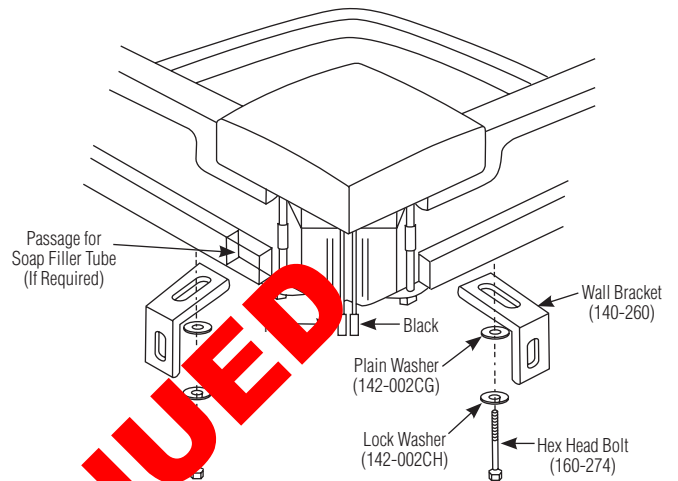
F Install the drain spud in the bowl using plumber's putty.

G From beneath bowl, thread the spud washer and spud locknut onto the drain spud. Tighten the locknut against the bowl.

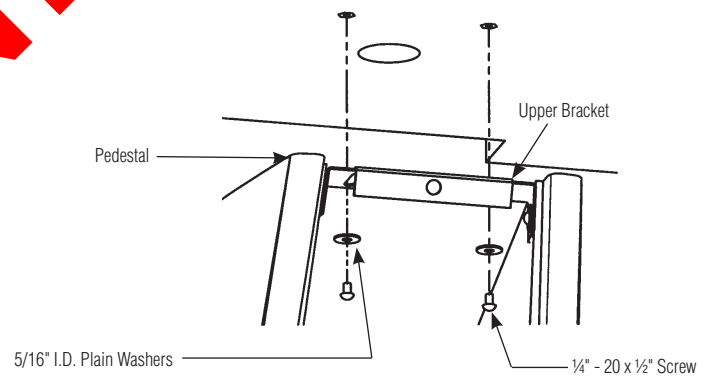
H Install strainer in the bowl drain using the two #10-24 x 1/2" flat socket screws supplied.

I Connect the drain trap (supplied by installer) to the drain spud and drain line.

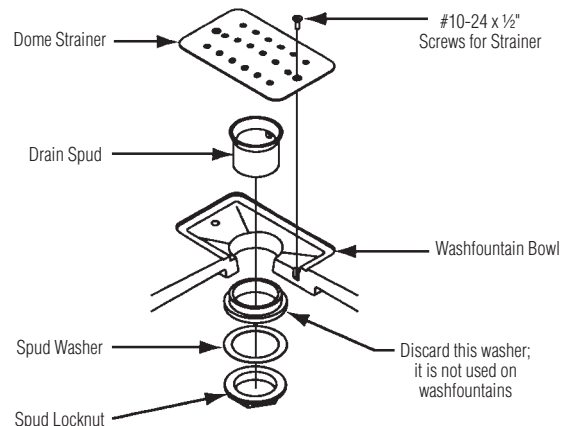
Back View of Washfountain Bowl



Bottom of Bowl





Drain Assembly



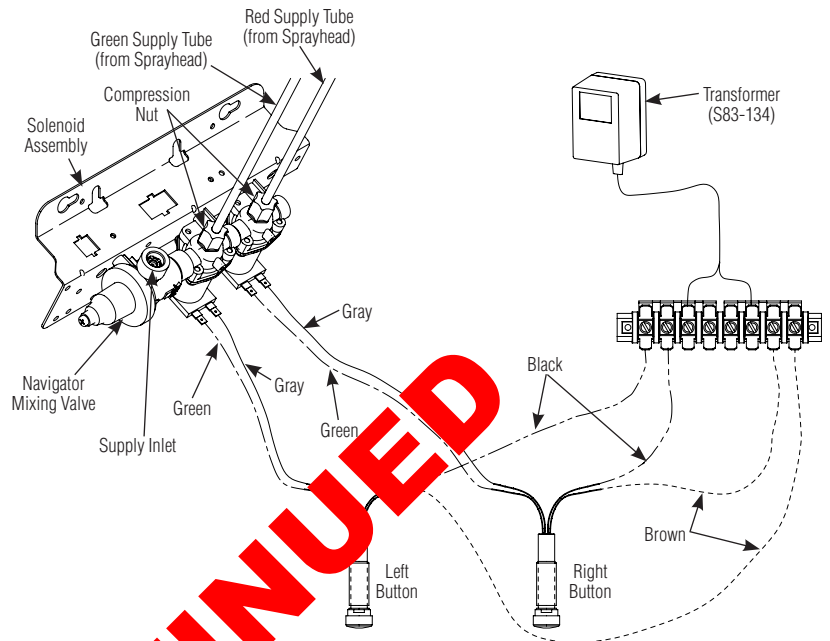
DISCONTINUED

6 Electrical and Supply Connections

-  *The TouchTime® control must be connected with a 24 VAC Class II transformer. Connections to 110VAC can cause personal injury and will result in damage to the electronics.*
-  *Connection of leads other than shown may cause permanent damage to the sensor.*


A Connect the wires per the wiring diagram shown.

B Insert two different colored sprayhead supply tubes into two solenoid tube connectors by loosening tube connector and firmly pushing tubing into tube connector until the tubes are fully seated, then retighten connector cap.

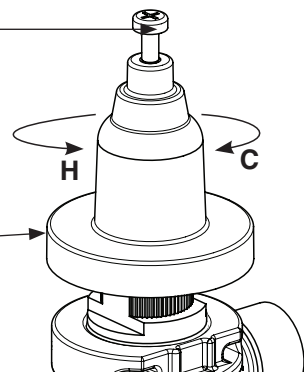


7 Check Operation

- A** Check to make sure both stops are fully open (see page 5).
- B** Turn on the main water supply to the Corner-Fount and check for leaks.
- C** Push operating push buttons until air purged from lines.
- D** Loosen Cap Screw about 1/4" (4-6 turns) and lift up cover (do not remove).

 *This valve is NOT factory preset. Upon installation, the temperature of this valve must be checked and adjusted to ensure delivery of a safe water temperature. Water in excess of 110°F (43°C) may cause scalding.*

E Using cover, turn cartridge gently until desired water temperature is reached. Do not turn past stops as this may damage unit. Push cover down and tighten screw.



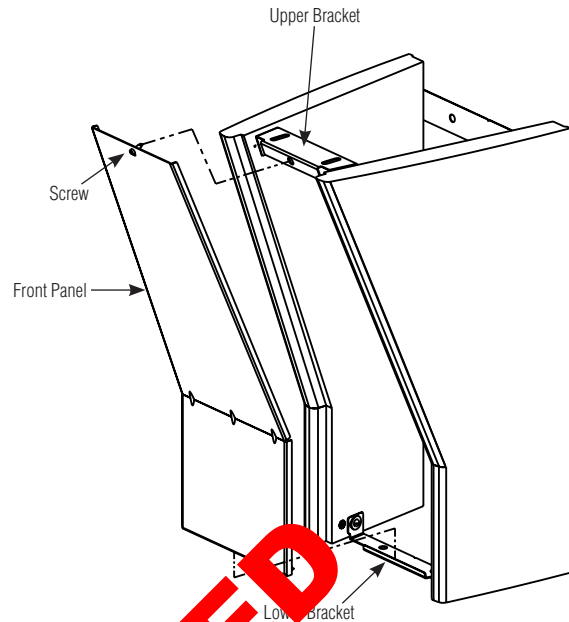
OPTIONAL: Install soap system

A Install the optional soap system following the installation instructions outlined in the manual provided with the soap system.

8 Completing Installation

A To install the front panel, slip slot in the bottom of the front pedestal panel over the lip on the lower bracket.

B Secure the panel to the upper bracket with the attached screw.



DISCONTINUED

Cleaning and Maintenance for Terrazzo


Please refer to Bradley document #9901 for Terrazzo care and maintenance.

Cleaning and Maintenance for Stainless Steel

Material Description: Stainless steel is extremely durable, and maintenance is simple and inexpensive. Proper care, particularly under corrosive conditions, is essential. Always start with the simplest solution and work your way toward the more complicated.

Routine cleaning: Daily or as often as needed use a solution of warm water and soap, detergent, or ammonia. Apply the cleaning solution per the manufacturer's instructions and always use a soft cloth or sponge to avoid damaging the finish.

Stubborn Stains: To remove stains from stainless steel, use a stainless steel cleaner and polish such as Ball® stainless steel cleaner or a soft abrasive. Always follow the manufacturer's instructions and apply in the same direction as the polish lines.


 *Never use ordinary steel wool or steel brushes on stainless steel. Always use stainless steel wool or stainless steel brushes.*

Special Situations for Maintenance


Fingerprints and Smears: To remove fingerprints or smears use a high quality stainless steel cleaner and polish in accordance with the manufacturer's instructions. Many of these products leave a protective coating that helps prevent future smears and fingerprints.

Grease and Oil : To remove grease and oil use a quality commercial detergent or caustic cleaner. Apply in accordance to the manufacturer's instructions and in the direction of the polish lines.

Precautions: Avoid prolonged contact with chlorides (bleaches, salts), bromides (sanitizing agents), thiocyanates (pesticides, photography chemicals, and some foods), and iodides on stainless steel equipment, especially if acid conditions exist.

 *Do not permit salty solutions to evaporate and dry on stainless steel.*

The appearance of rust streaks on stainless steel leads to the belief that the stainless steel is rusting. Look for the actual source of the rust in some iron or steel particles which may be touching, but not actually a part of the stainless steel structure.

 *Strongly acidic or caustic cleaners may attack the steel, causing a reddish film to appear. The use of these cleaners should be avoided.*

Brand Names: Use of brand names is intended only to indicate a type of cleaner. This does not constitute an endorsement, nor does the omission of any brand name cleaner imply its inadequacy. Many products named are regional in distribution, and can be found in local supermarkets, department and hardware stores, or through your cleaning service. It is emphasized that all products should be used in strict accordance with package instructions.

Solenoid Valve Troubleshooting

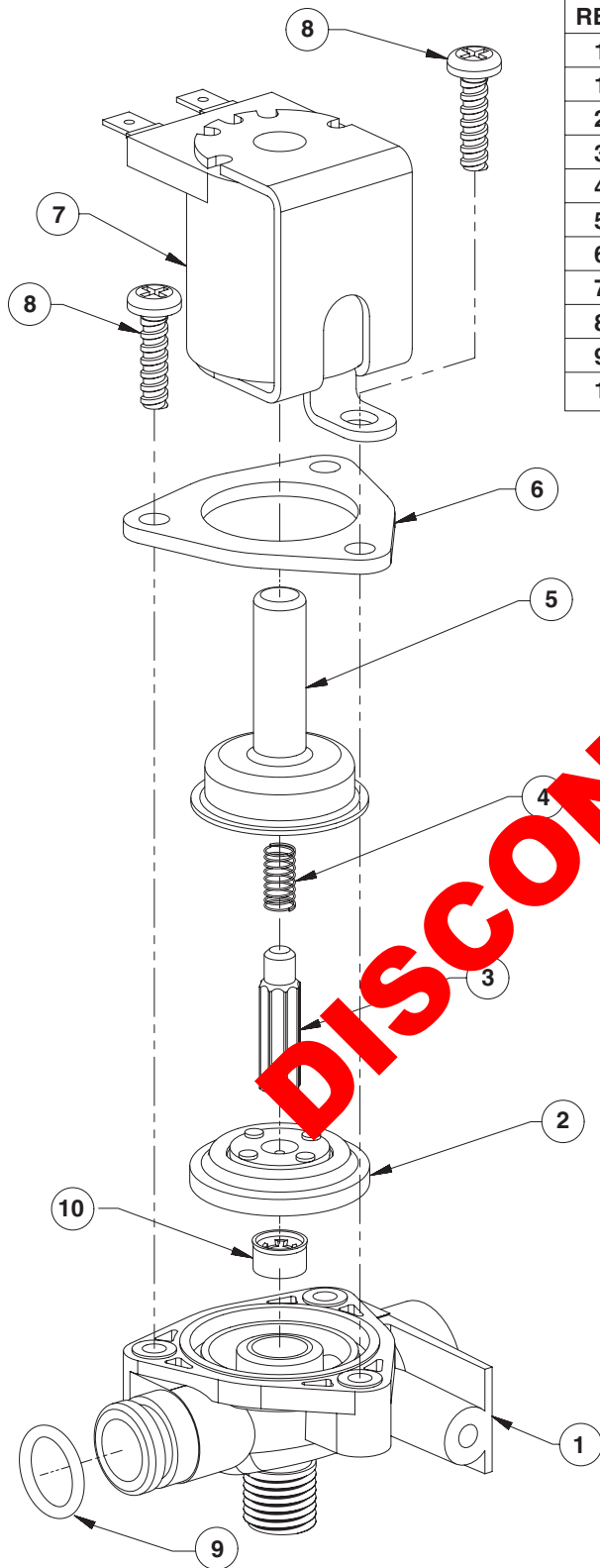


Turn off water supplies to the unit before troubleshooting.

Problem	Cause	Solution
An individual operating station fails to shut off and drips.	Debris is trapped between the diaphragm and the valve seat.	<p>Remove debris between diaphragm and the valve seat.</p> <ol style="list-style-type: none"> 1. Remove the three #8 Phillips-head screws that hold the solenoid valve assembly together. Be careful not to lose the armature or spring. 2. Remove the diaphragm. Remove any particles that have been trapped between the diaphragm and the valve seat. Rinse off the diaphragm and inspect for damage. Make sure the center orifice and both small side orifices are open. 3. Reassemble in reverse order (do not overtighten the Phillips-head screws or the plastic valve body may crack). Tighten until the armature plate makes contact with the plastic body. 4. Reconnect the wires.
An individual operating station fails to turn on.	A failed coil for the valve or loose electrical connection to the terminal.	<p>Test the station to determine the cause.</p> <ol style="list-style-type: none"> 1. Disconnect the wires from the coil of an adjacent valve. Disconnect the wires from the problem valve and reconnect to the adjacent valve.
	Defective Sensor.	<ol style="list-style-type: none"> 2. Turn off electrical and water supplies to the unit. Pass your hand in front of the sensor of the problem station, and the adjacent station should turn on. <p>If the adjacent station turns on and cycles normally, replace the coil on the problem valve.</p> <p>If the adjacent valve fails to turn on, inspect the wires from the sensor cable and do the following:</p> <ul style="list-style-type: none"> • make sure there are no breaks and that the fully insulated disconnect terminals are firmly crimped in place • turn off the electrical and water supplies • reconnect to the adjacent valve and turn on the water supplies to the unit • pass your hand in front of the sensor. If the station still fails to turn on, replace the sensor.

DISCONTINUED

Solenoid valve S07-068 (closed body) and S07-068A (thru body)



REF.	QTY.	PART NO.	DESCRIPTION
1	1	118-307	VALVE BODY, 1/4" CLOSED
1	1	118-307A	VALVE BODY, 1/4" THRU
2	1	269-983	DIAPHRAGM
3	1	269-577	ARMATURE
4	1	269-578	SPRING
5	1	269-1729	ARMATURE HOUSING
6	1	269-1730	CLAMP, ARMATURE HOUSING
7	1	269-579	COIL, SOLENOID VALVE
8	3	160-447	SCREW, #8 X 5/8
9	1	125-165	O-RING, #2-013
10	1	125-160	FLOW RESTRICTOR, .5 GPM

DISCONTINUED

Thermostatic Mixing Valve Troubleshooting



Before attempting to troubleshoot the valve or disassemble the components, check for the following conditions:

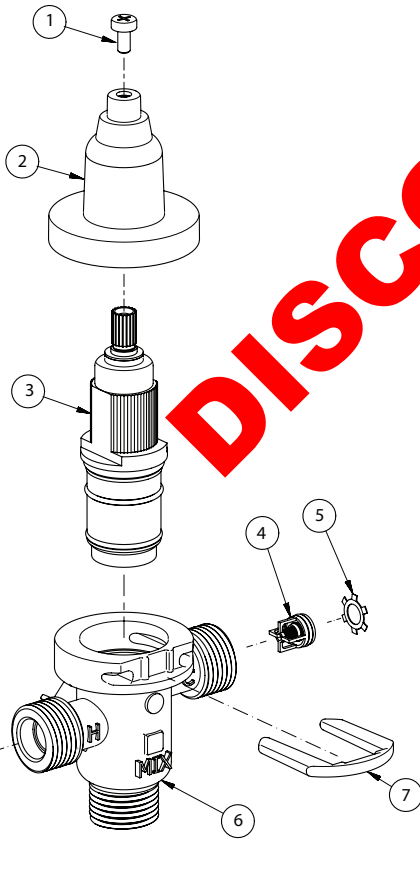
- If stop valves are used, make sure that they are fully open.
- Make sure that the hot and cold inlet pipes are connected properly, and that there are no cross-connections or leaking stop valves.
- Check the hot water heater output to make sure that it is at least 10° F above the set temperature.



Be sure to close the appropriate shut-off valves prior to disassembly of the valve and reopen the valves after inspection and repair is complete.

Problem	Cause	Solution
External leaks.	Damaged cartridge or O-rings.	Replace cartridge with part number 269-1927
Improper water temperature or temperature fluctuation.	Hot water supply is not 10° above desired set point.	Increase hot water supply temperature
	Valve temperature is not properly set.	Adjust the temperature as shown on page 7 step 7.
Limited water flow.	Dirt and debris have built up in the valve or strainer.	1. Check to make sure both hot and cold supplies are connected to the mixing or mixing valve and that they have water flow. 2. Remove cover and U-clip. Remove the cartridge and clean the strainer. It is not required to grease cartridge, however if desired, use silicone grease only. Do not use grease on check valves.

DISCONTINUED



Parts list

Item	Part No.	Description	Quantity
			S59-4000
1	160-463	Cap Screw	1
2	107-582	Cover	1
3	269-1927	Thermostatic Cartridge	1
4	198-014	Check Valve*	2
5	132-051	Retaining Ring*	2
6	118-319	Valve Body	1
7	146-079	U-Clip	1

* Included with Prepack S65-326

Tempered Line Adapter Option Part no. S39-804

(replaces S59-4000 if tempered line is used)

