

Installation

MF2903/AST4



Terrazzo Tri-Fount™ Washfountain

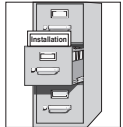
(Standard*, Juvenile and OBC Height)

* Standard Height is ADA Compliant

Table of Contents

Parts Included with the Tri-Fount™	2
Installation Instructions	3-8
Cleaning and Maintenance Instructions	8
Metering Air Valve Maintenance	9
Tube Connection Leaks	9
AST4 Valve Repair Kits	10
Metering Air Valve Troubleshooting	11
Thermostatic Mixing Valve Troubleshooting	12

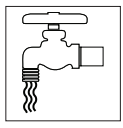
IMPORTANT!



Read this entire installation manual to ensure proper installation. When finished with the installation, give this manual with the owner or maintenance department.

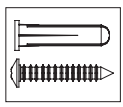


Separate parts from packaging and make sure all parts are accounted for before discarding any packaging material. If any parts are missing, do not begin installation until you obtain the missing parts.



Water supply requires a flowing pressure of at least 20 psi, but no greater than 80 psi.

Make sure that all water supply lines have been flushed and then completely turned off before beginning installation. Debris in supply lines can cause valves to malfunction.



Hardware supplied by installer must be appropriate for wall construction. Wall anchors used must have a minimum pull-out rating of 1,000 lbs.

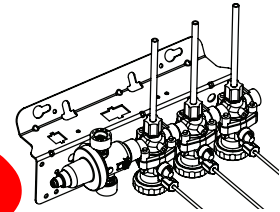


Product warranties may be found under "Product Information" on our web site at www.bradleycorp.com.

Supplies Required by Installer

- (6) 3/8" diameter bolts with washers and (6) wall anchors appropriate for your installation
- (2) 3/8" diameter bolts with washers and (2) floor anchors appropriate for your installation
- 1/2" Nominal copper tubing for hot and cold water supply lines
- 1-1/2" NPT drain trap and waste connection
- Pipe sealant and plumber's putty

Parts included with the Tri-Fount



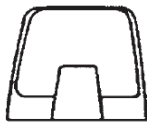
METERING VALVE ASSEMBLY



(2) MOUNTING PANELS



FRONT PANEL



BOWL W/SPRAYHEAD

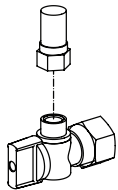


PEDESTAL PANEL

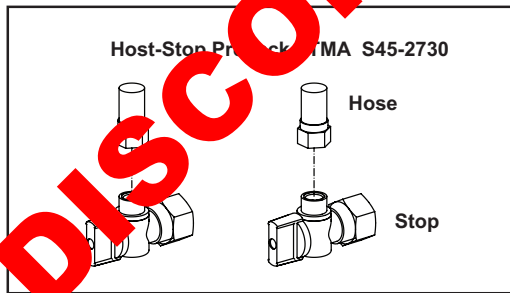


PEDESTAL PANEL (RIGHT)

Hose-Stop Prepack - TL S45-2731 (optional)



DISCONTINUED



PEDESTAL PREPACK S45-797A

(8) 1/4"-20 x 1/2" PAN HEAD SCREW

(4) 5/16" I.D. WASHER



UPPER BRACKET



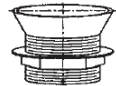
LOWER BRACKET

PREPACK S45-561

(2) 3/8"-16 x 3-1/4" HEX HEAD BOLT



STRAINER



DRAIN SPUD

(2) 3/8"-16 HEX NUT

(2) 5/16" I.D. PLAIN WASHER

(2) 13/32" I.D. PLAIN WASHER

(2) 10-24 x 3/4" OVAL PHILLIPS HEAD SCREW


(2) 1/4"-20 x 1/2" PAN HEAD SCREW


(2) WALL BRACKET

(2) ANCHOR PLATE

(2) 3/8" I.D. LOCKWASHER

1 Rough-Ins

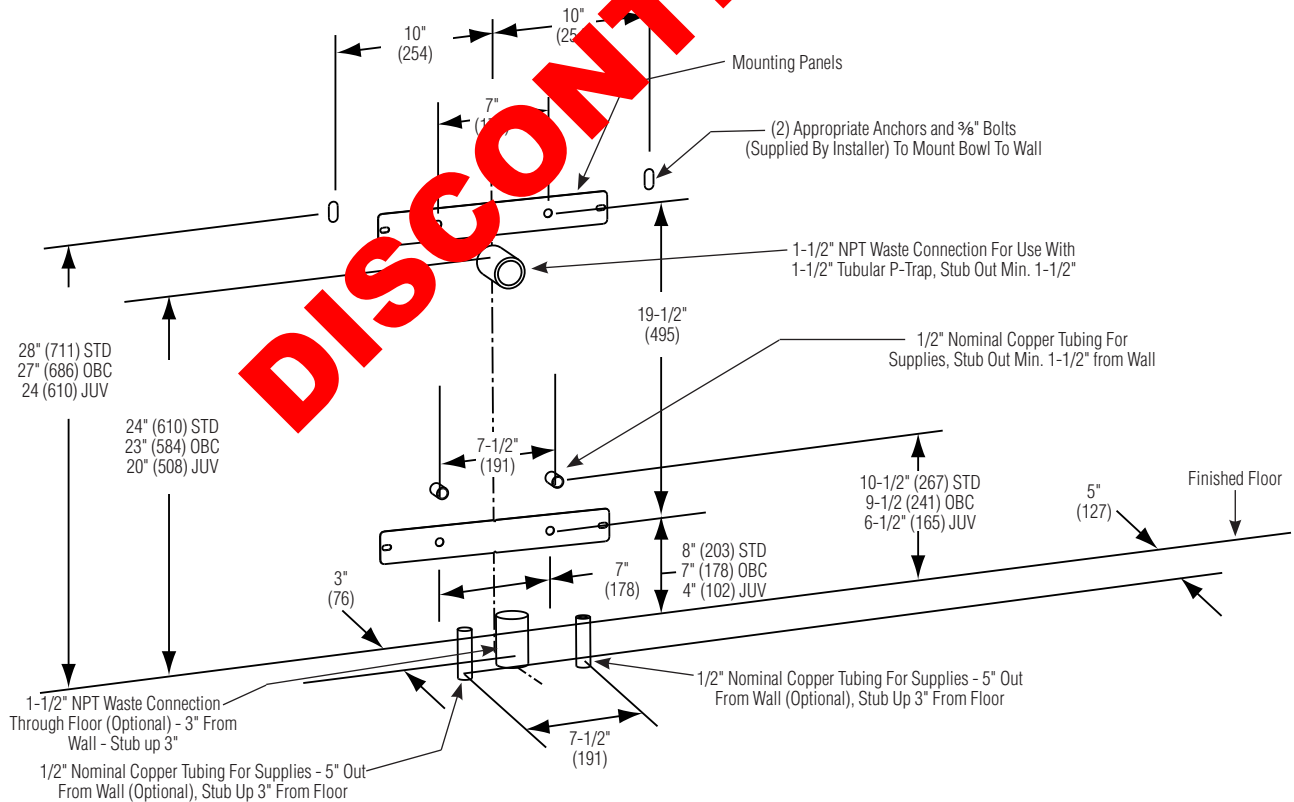
 Flush the supply lines before making connections. Debris in supply lines will cause the valves to malfunction.

 The Tri-Fount is designed to comply with all ADA guidelines on reaches, clearances, operations when mounted at standard height dimensions by the installer.

Compliance and conformity to local codes and ordinances is the responsibility of the installer.

A Rough in 1/2" nominal copper tubing for hot and cold supply lines through wall or floor at dimensions shown.

B Rough in 1-1/2" NPT drain waste connection through wall or floor at dimensions shown.



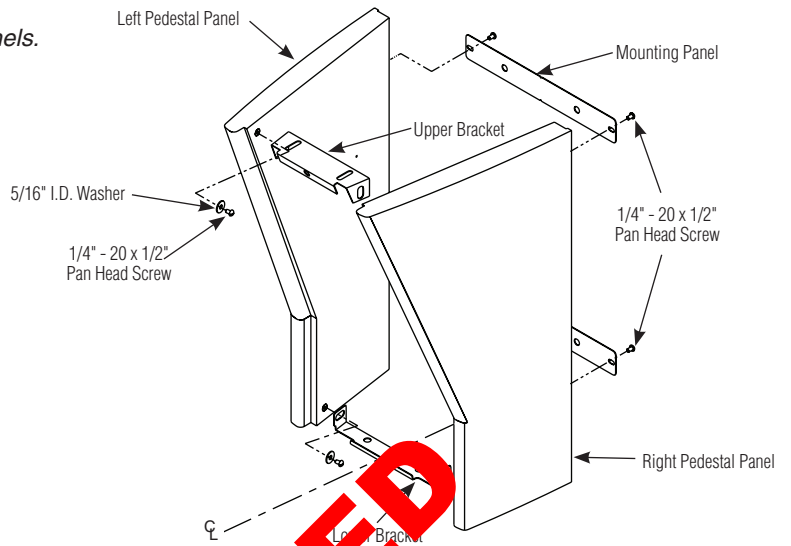
2 Assemble Pedestal

Washers are not utilized on back of mounting panels.

A Fasten the mounting panels to the pedestal with four pan head 1/4" - 20 x 1/2" screws.

B Install the upper bracket to the pedestal panels with two pan head 1/4" - 20 x 1/2" screws and 5/16" I.D. washers.

C Install the lower bracket to the pedestal panels with two pan head 1/4" - 20 x 1/2" screws and 5/16" I.D. washers.



3 Install Pedestal

Remove molding strips or tiles which could prevent a flush mounting to the wall.



A Measure and mark the centerline of the wall and floor.

B Before mounting the pedestal to the floor, make sure the floor is level. If it is not level, be prepared to install shims when positioning the pedestal in Step C.

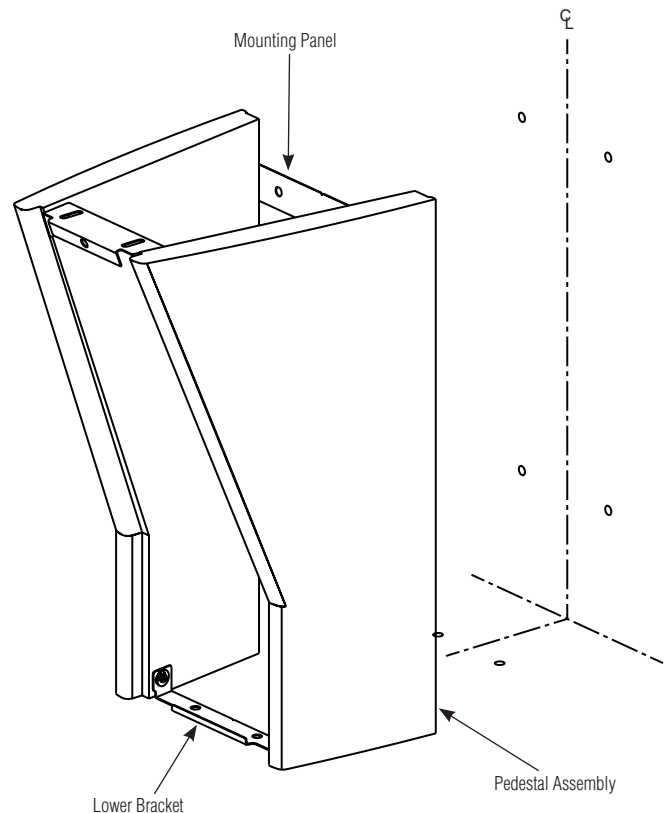
C With someone to assist you, move the pedestal assembly to the wall using appropriate lifting procedures, and align the mounting notches on the mounting panel with the centerline marked on the wall. If the floor is not level, install shims under the left and/or right pedestal.

D Drill holes in the wall through the four 1/2" diameter holes in the mounting panel and install four anchors (supplied by installer) for 3/8" bolts.

E Secure the pedestal assembly to the wall anchors using four 3/8" bolts and washers (supplied by installer).

F Drill holes in the floor through the two 1/2" diameter holes in the lower bracket and install two anchors (supplied by installer) for 3/8" bolts.

G After floor anchors are installed, secure the pedestal assembly to the floor anchors using two 3/8" bolts and washers (supplied by installer).



DISCONTINUED

4 Install Valve Assembly

The letter "H" on the Navigator® mixing valve indicates hot water supply inlet.

A Attach the stops to hot and cold water rough-ins.

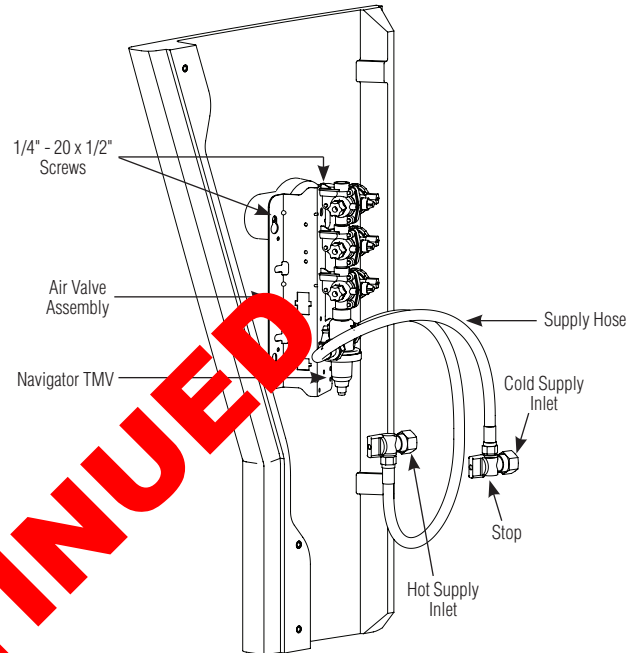
B Connect one end of each supply hose to the stops.

C Inside the pedestal, install the two 1/4" - 20 x 1/2" screws (supplied with valve assembly) in the mounting holes on the side of the left pedestal panel. Do not thread the screw completely into the panel, but allow 5/16" of the screw to be exposed.

D Connect the other end of each supply hose to the Navigator TMV valve assembly (one on the hot side, one on the cold side).

E Mount the valve bracket to the left side of the pedestal.

F For optional single tempered supply: attach the stop to the 1/2" tempered supply line. Connect the stop to the valve assembly with the flexible supply hose.



DISCONTINUED

5 Assemble and Install Bowl

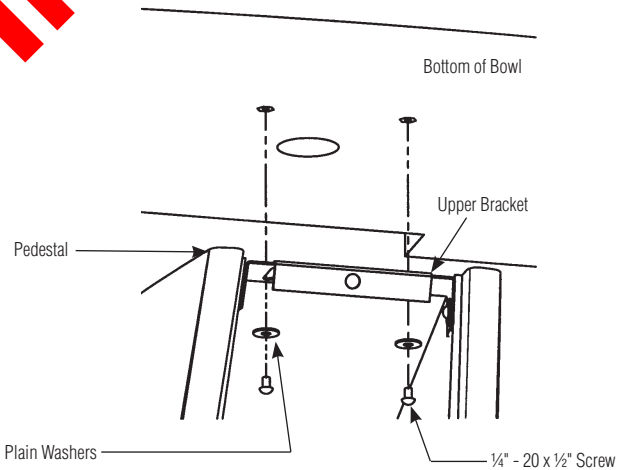
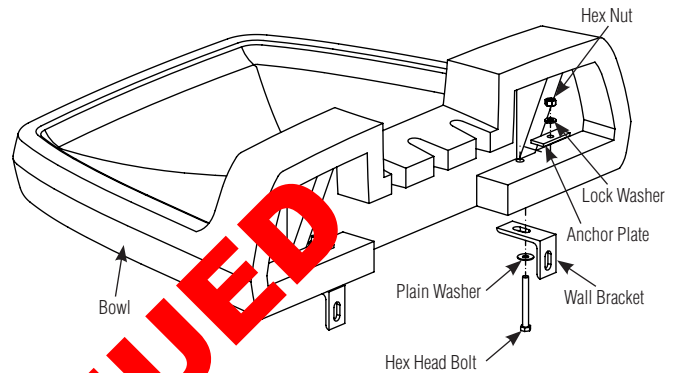


! Do not leave the bowl on the pedestal unsupported, as it may fall and cause personal injury or damage to property.

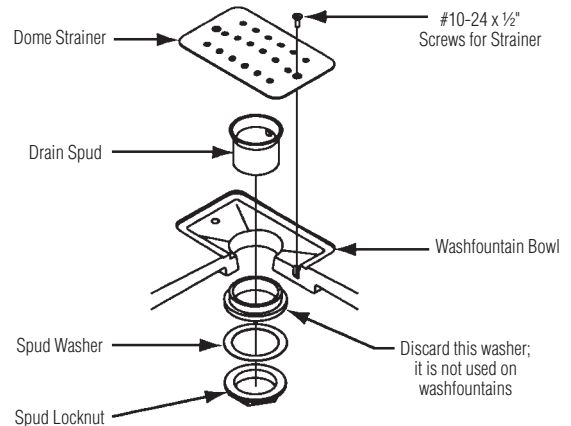
✓ Discard rubber gasket included with drain spud. It cannot be used in this application.

- A** Install two 3/8" wall anchors (supplied by installer) which will be used to mount the bowl to wall (see rough-ins on page 4).
- B** With the help of an assistant, carefully lift the bowl onto the pedestal frame. Ensure bowl remains 3-4" from the wall.
- C** Install the two wall anchor brackets to the back of the bowl using the 3/8" - 16 x 1-1/2" hex-head bolts, 13/32" I.D. plain washers, anchor plates, 3/8" I.D. lockwashers, and 3/8" - 16 hex nuts provided.
- D** Slide the bowl back to the wall and secure the bowl's wall brackets to the wall anchors with two 3/8" bolts and washers (supplied by installer).
- E** Fasten the bowl to the upper bracket on the pedestal assembly with the two 1/4" - 20 x 1/2" round-head screws and 5/16" I.D. washers supplied.
- F** Install the drain spud in the bowl using plumber's putty.
- G** From beneath bowl, thread the spud washer and spud locknut onto the drain spud. Tighten the locknut against the bowl.
- H** Install strainer in the bowl drain using the two #10-24 x 1/2" flat socket head screws supplied.
- I** Connect the drain trap (supplied by installer) to the drain spud and drain line.

Back View of Washfountain Bowl



Drain Assembly



DISCONTINUED

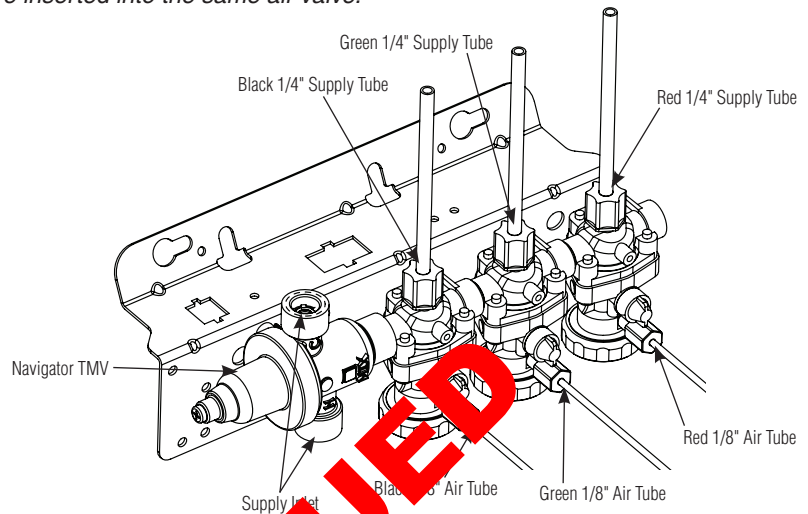
6 Connect Supply Line



When inserting tubes into the air valve assemblies, be sure to keep the 1/8" and 1/4" tubes from each push button together. It does not matter which air valve you insert the sets of tubing in, as long as the 1/8" and 1/4" tubes from the same push button are inserted into the same air valve.

A Insert 1/4" tubing from the sprayhead aerators to the couplings on the air valves.

B Insert the 1/8" tubing from the push buttons to the connectors on the air valves.



7 Check Operation

A Check to make sure both stops are fully open (see page 5).

B Turn on the main water supply to the Tri-Fount and check for leaks.

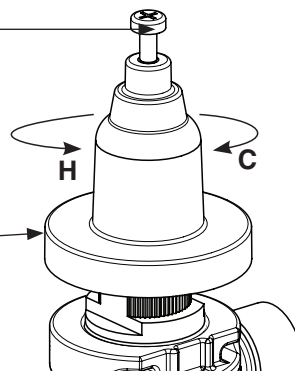
C Push operating push buttons until air is purged from lines.

D Loosen Cap Screw about 1/4" (4-6 turns) and lift up cover (do not remove).

E Using cover, turn cartridge gently until desired water temperature is reached. Do not turn past stops as this may damage unit. Push cover down and tighten screw.



This valve is NOT factory preset. Upon installation, the temperature of this valve must be checked and adjusted to ensure delivery of a safe water temperature. Water in excess of 110°F (43°C) may cause scalding.



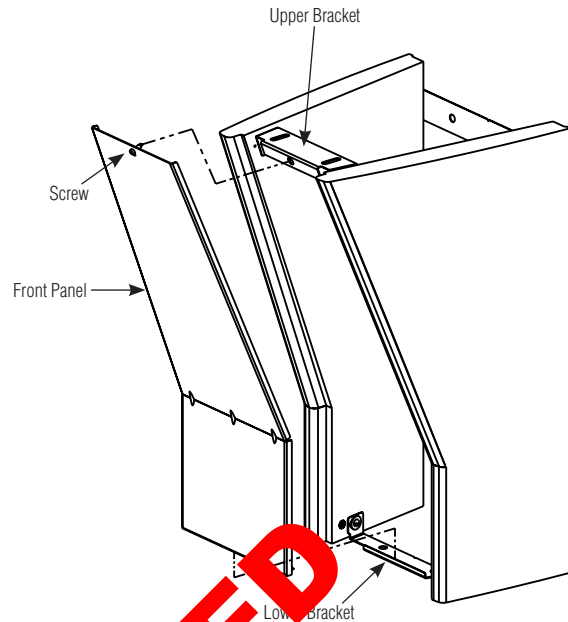
OPTIONAL: Install soap system

A Install the optional soap system following the installation instructions outlined in the manual provided with the soap system.

8 Completing Installation

A To install the front panel, slip slot in the bottom of the front pedestal panel over the lip on the lower bracket.

B Secure the panel to the upper bracket with the attached screw.



Cleaning and Maintenance for Terrazzo

Please refer to Bradley document #9901 for Terrazzo care and maintenance.

Cleaning and Maintenance for Stainless Steel

Material Description: Stainless steel is extremely durable, and maintenance is simple and inexpensive. Proper care, particularly under corrosive conditions, is essential. Always start with the simplest solution and work your way toward the more complicated.

Routine cleaning: Daily or as often as needed use a solution of warm water and soap, detergent, or ammonia. Apply the cleaning solution per the manufacturer's instructions and always use a soft cloth or sponge to avoid damaging the finish.

Stubborn Stains: To remove stains from stainless steel, use a stainless steel cleaner and polish such as Ball® stainless steel cleaner or a soft abrasive. Always follow the manufacturer's instructions and apply in the same direction as the polish lines.

⚠ Never use ordinary steel wool or steel brushes on stainless steel. Always use stainless steel wool or stainless steel brushes.

Special Situations for Maintenance

Fingerprints and Smears: To remove fingerprints or smears use a high quality stainless steel cleaner and polish in accordance with the manufacturer's instructions. Many of these products leave a protective coating that helps prevent future smears and fingerprints.

Grease and Oil : To remove grease and oil use a quality commercial detergent or caustic cleaner. Apply in accordance to the manufacturer's instructions and in the direction of the polish lines.

Precautions: Avoid prolonged contact with chlorides (bleaches, salts), bromides (sanitizing agents), thiocyanates (pesticides, photography chemicals, and some foods), and iodides on stainless steel equipment, especially if acid conditions exist.

⚠ Do not permit salty solutions to evaporate and dry on stainless steel.

The appearance of rust streaks on stainless steel leads to the belief that the stainless steel is rusting. Look for the actual source of the rust in some iron or steel particles which may be touching, but not actually a part of the stainless steel structure.

⚠ Strongly acidic or caustic cleaners may attack the steel, causing a reddish film to appear. The use of these cleaners should be avoided.

Brand Names: Use of brand names is intended only to indicate a type of cleaner. This does not constitute an endorsement, nor does the omission of any brand name cleaner imply its inadequacy. Many products named are regional in distribution, and can be found in local supermarkets, department and hardware stores, or through your cleaning service. It is emphasized that all products should be used in strict accordance with package instructions.

Metering Air Valve Maintenance

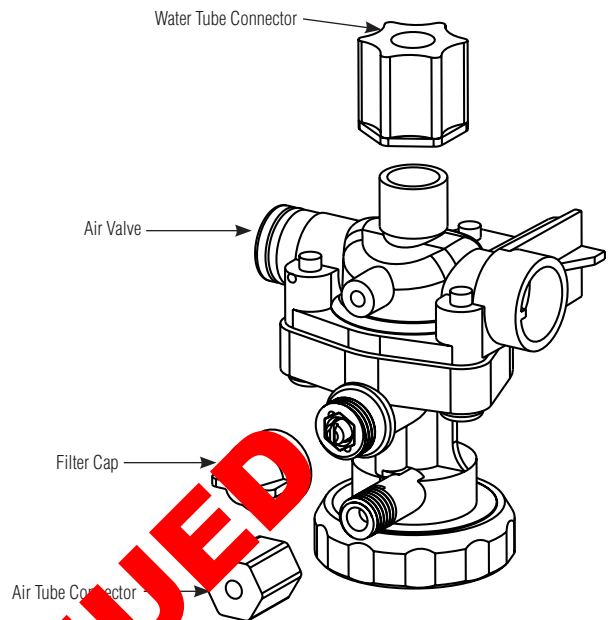
The air valve timer is located next to the tube connector on the air valve body. The timer is capped with a filter to prevent dirt build-up on the timer. The air valve timing can be adjusted from 5–60 seconds.

Adjust Air Valve Meter Time

A Remove filter cap and use a screwdriver to tighten or loosen the timer (see illustration at right). Turning the timer clockwise increases the time; turning the timer counterclockwise decreases the time.

B Continue to adjust until the timer is set at desired length.

C Replace filter cap over the timer.

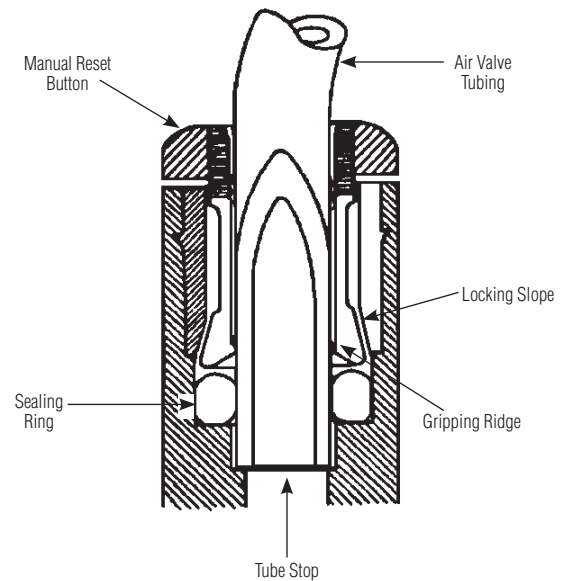


Tube Connection Leaks

A Push in the orange manual release button while pulling the tube out (see illustration at right) to disconnect the tube at the connector. No tools are needed.

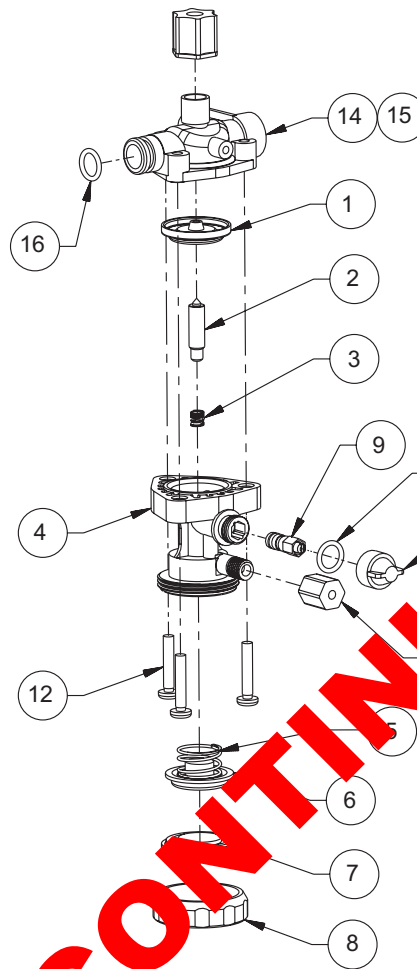
B To correct a leak, press tubing firmly into the connector and make sure it is seated.

C If leak persists, remove tubing from the fitting, and trim the tubing end square with a razor-sharp knife. If leak continues, replace the fitting or contact your Bradley representative for assistance.



DISCONTINUED

AST4 Valve Repair Kits



DISCONTINUED

AST4 Valve Repair Kits

Item	Description	AST 4 Valve Kit S65-260	Repair Kit (Upper) S65-261	Repair Kit (Lower) S65-262	AST4 1/4" Tube Valve S07-078S	AST4 1/4" Tube Valve S07-078AS
		Qty				
1	Diaphragm	1	—	1	1	1
2	Armature	1	—	1	1	1
3	Spring	1	—	1	1	1
4	AST 4 Valve Upper Body	1	—	—	1	1
5	Spring	1	1	—	1	1
6	Magnet / Diaphragm Assembly	1	1	—	1	1
7	AST 4 Valve Cover	1	1	—	1	1
8	AST 4 Valve Clamp Nut	1	1	—	1	1
9	AST 4 Valve Timer Assembly	1	—	—	1	1
10	O-Ring, #2-012	1	—	—	1	1
11	AST 4 Valve Timer Cover	1	—	—	1	1
12	Screw, #8 x 7/8"	3	—	—	1	1
13	Compression Nut, 1/8" Tube	1	1	—	1	1
14	Valve Body 1/4 Tube, Closed	—	—	—	1	—
15	Valve Body 1/4 Tube, Thru	—	—	—	—	1
16	O - Ring	—	—	—	1	1

Metering Air Valve Troubleshooting

Problem: Valve will not shut off.

Cause: Timing mechanism is clogged.

Solution: Clean and inspect timing mechanism:

1. If compressed air is available, blow water and debris from timer cover of timing mechanism.
2. Turn adjusting screw out all the way. Clean and inspect screw and valve body.
3. Turn adjusting screw in to desired cycle time.

Problem: Valve will not turn on.

Cause: Water is not being supplied to unit.

Solution: Open all stops on mixing valve.

Cause: Water pressure is over 80 PSI.

Solution: Install a pressure reducing valve.

Cause: Failed diaphragm/magnet assembly.

Solution: Unscrew the valve clamp nut on valve. Remove valve cover. Gently press the diaphragm. The valve should activate. If not, replace the diaphragm/magnet assembly.

Problem: Timing can not be adjusted for more than 5 seconds.

Cause: There is an air leak.

Solution: Check the valve assembly:

1. Check all tubing and fittings for proper assembly.
2. Tighten cap and nut on 1/8" tubing.

Problem: Push button does not work properly.

Cause: Air volume may not be sufficient to operate valve.

Solution: Check for leaks and lubricate U-joints.

1. Check all fittings for air leaks.

Problem: Water is dripping from the streamformers.

Cause: Debris has accumulated on valve seat or orifices.

Solution: Clean and inspect valve seat.

1. Remove screws and disassemble metering valve.
2. Clean valve seat and inspect for deep gouges or scratches. Replace valve body if necessary.
3. Remove any debris blocking off-center hole in rubber diaphragm.

DISCONTINUED

Thermostatic Mixing Valve Troubleshooting



Before attempting to troubleshoot the valve or disassemble the components, check for the following conditions:

- If stop valves are used, make sure that they are fully open.
- Make sure that the hot and cold inlet pipes are connected properly, and that there are no cross-connections or leaking stop valves.
- Check the hot water heater output to make sure that it is at least 10° F above the set temperature.



Be sure to close the appropriate shut-off valves prior to disassembly of the valve and reopen the valves after inspection and repair is complete.

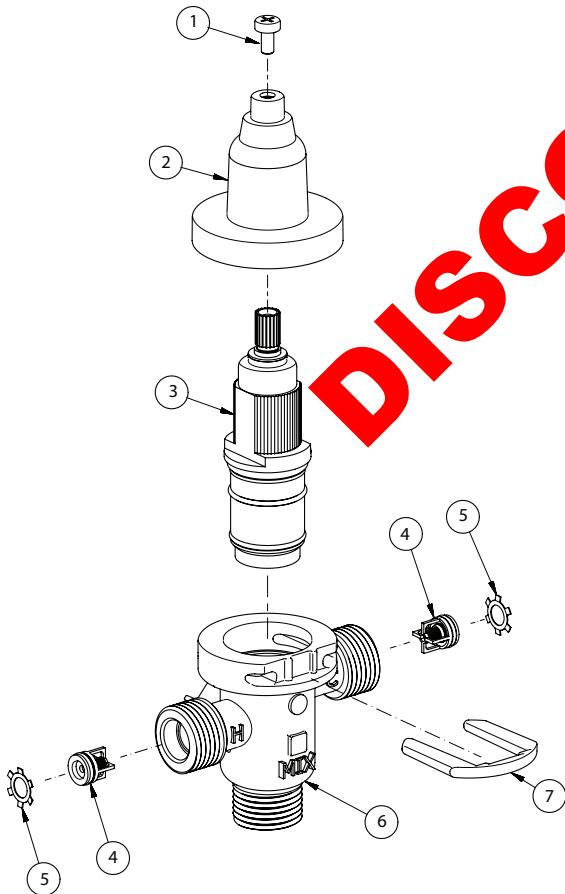
Problem	Cause	Solution
External leaks.	Damaged cartridge or O-rings.	Replace cartridge with part number 269-1927
Improper water temperature or temperature fluctuation.	Hot water supply is not 10° above desired set point.	Increase hot water supply temperature
	Valve temperature is not properly set.	Adjust the temperature as shown on page 7 step 7.
Limited water flow.	Dirt and debris have built up in the valve or strainer.	1. Check to make sure both hot and cold supplies are connected to the valve for mixing valve and that they have water flow. 2. Remove cover and U-clip. Remove the cartridge and clean the strainer. It is not required to grease cartridge, however if desired, use silicone grease only. Do not use grease on check valves.

DISCONTINUED

Parts List

Item	Part No.	Description	Quantity
			S59-4000
1	160-463	Cap Screw	1
2	107-582	Cover	1
3	269-1927	Thermostatic Cartridge	1
4	198-014	Check Valve*	2
5	132-051	Retaining Ring*	2
6	118-319	Valve Body	1
7	146-079	U-Clip	1

* Included with Prepack S65-326



Tempered Line Adapter Option Part no. S39-804

(replaces S59-4000 if tempered line is used)

