



WF2803, WF2804, WF2805, WF2808 Bradstone® Classic Washfountains

- cUPCCertified
- Pre-Assembled Bowl and Pedestal
- Available in 54" or 36" Diameter Semi-Circular or Circular Bowls
- 9" Deep Bowl, Designed for Heavy Duty Hand Washing
- Foot, Air Metering, Infrared or TouchTime® Control

Specifications

Size and Capacity

Semi-circular models accommodate up to 3 users (36" models) or 4 users (54" models) at a time. Circular models accommodate up to 5 users (36" models) or 8 users (54" models) at a time. All models utilize less water, energy and space than lavatories equipped with conventional faucets. The washfountain bowls, pedestals and valve sets are completely assembled. Only the support column and connections to the valve set and drain require assembly. The operating range is 20-80 PSI. Flow rate controlled by volume control valve. Flow-rates for each model:

Size	Style	Activation	Nominal Flow (GPM)	Max Flow* (GPM)
36"	Circle	Foot	2.00	3.20
36"	Semi-Circle	Foot	1.00	1.75
36"	Circle	Solenoid	2.00	2.50
36"	Semi-Circle	Solenoid	1.00	1.10
54"	Circle	Foot	5.00	7.50
54"	Semi-Circle	Foot	3.00	5.40
54"	Circle	Solenoid	5.00	5.40
54"	Semi-Circle	Solenoid	3.00	3.20

*Per California Energy Commission 20 CCR T.20, Div. 2, 1601-1609.

Construction

Bradstone®: An extremely durable plastic material made of reinforced thermosetting polyester resins, finely ground inorganic fillers and fade resistant pigments.

Pedestals: Constructed of die-formed legs, upper braces, scuff bases and panels; legs are zinc chromate plated 14 gauge steel; upper braces are 16 gauge galvanized steel; and scuff bases are 300 series stainless steel with a #4 finish. Bradstone® models have tapered, vacuum-formed plastic access panels in the color gray.

Standard Equipment

Valves and Fittings

In addition to the bowl and pedestal assembly, the following valves and fittings are standard: sprayhead with stainless steel support tube and bowl gasket; spud with domed strainer; sprayhead supply line; manual mixing valve; volume control valve; and (2) stop, strainer and check valves.

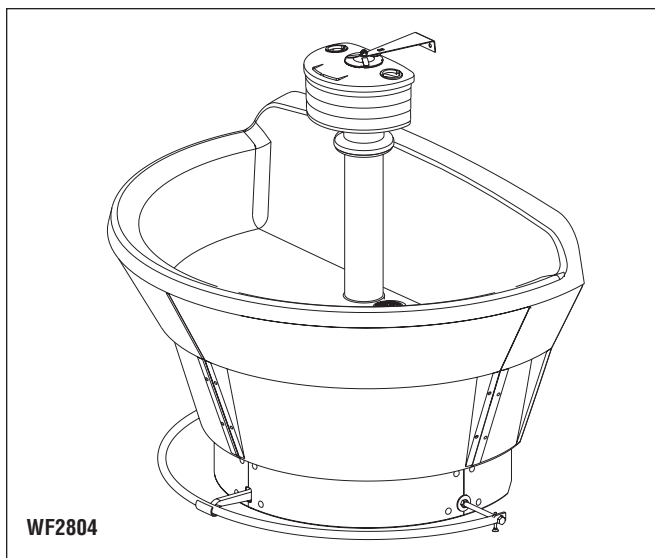
Activation Controls

Foot Control

Each press of the foot rail mechanically actuates a hold-open valve, with slow closing upon release of foot pressure.

Air Valve Hand Control

Each push button pneumatically actuates a non-hold-open, air metering, single-temperature valve with field adjustable timing from 0–45 seconds. Factory preset at 10 seconds. Each push button activates a flow of tempered water from the non-sectional sprayhead. Push button requires less than five pounds of pressure.



Infrared Sensor §

Hands placed within the bowl are detected by an infrared sensor module which activates a flow of tempered water from the non-sectional sprayhead. Shut-off is automatic after hands are removed from the detection area. The infrared sensor uses a conical-shaped transmitting beam, having a detection area adapted to, but not exceeding, the bowl perimeter. The adaptive infrared sensor automatically adapts to the bowl after power is turned on. The infrared sensor is not affected by varying color tones or darkness. Direct sunlight or bright washroom lights will not activate the system. Infrared models also include solenoid valves and a low-voltage transformer as standard equipment:

- Solenoid – 24V, 50/60 Hz, 3/4" NPT. Few moving parts, and resistant to most chemicals, minerals, and impurities often present in municipal water supplies.
- Low-Voltage Transformer – Class II UL/CSA listed, 110/24 VAC plug-in transformer. Plugs into a standard GFCI protected electrical outlet. Location of transformer per local electrical code.

TouchTime® Hand Control §


Each low-voltage button actuates a non-hold-open, slow-closing anti-hammer solenoid valve that is timed from an electronic potted assembly. Each push button activates a flow of tempered water from the non-sectional sprayhead. TouchTime® controls water flow at each station through the use of solid state, digital circuitry. Timing is electronically controlled at 15 seconds. Push button requires less than five pounds of pressure.

§ Please visit www.bradleycorp.com/dc for important information regarding a regulatory requirement to convert Bradley's TT and IR activations from AC to DC starting in late 2016.

Code Compliance and Certifications

cUPC Approval

Pre-Assembled Classic Washfountains are Uniform Plumbing Code (UPC), International Plumbing Code (IPC) and National Plumbing Code of Canada (NPC) approved through the International Association of Plumbing and Mechanical Officials (IAPMO). Manufactured in compliance with IGC 156-2009, CSA B45 Series-2002 (R08) & ASME A112.18.1-2005/CSA B125.1-2005.

 Standard product selections contained within this document are third party **CERTIFIED** to NSF/ANSI 372 meeting the Lead-Free content requirement. Any product configured with custom options will be **COMPLIANT** with NSF/ANSI 372 meeting the Lead-Free content requirement.



© 2016 Bradley

P.O. Box 309, Menomonee Falls, WI 53052-0309
800 BRADLEY (800 272 3539) +1 262 251 6000
bradleycorp.com



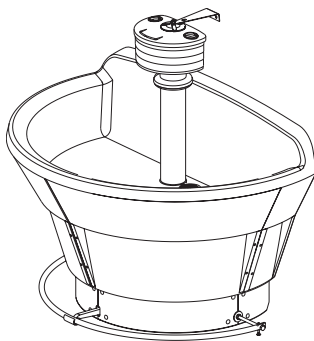
WF2803, WF2804, WF2805, WF2808 Bradstone® Classic Washfountains

Models (Must select one)			
Model	Size	Users	Material
<input type="checkbox"/> WF2803	36" Semi-Circular	3	Bradstone®
<input type="checkbox"/> WF2804	54" Semi-Circular	4	Bradstone®
<input type="checkbox"/> WF2805	36" Circular	5	Bradstone®
<input type="checkbox"/> WF2808	54" Circular	8	Bradstone®
Standard Selections (Must select one from each category)			
Drain Type (select one)			
<input type="checkbox"/> A	Off-line vent with supplies from below		
<input type="checkbox"/> B	Centrally rising vent with supplies from above		
<input type="checkbox"/> H	Centrally rising vent with supplies from below		
<input type="checkbox"/> O	Off-line vent with supplies from above		
Pedestal Height (select one)			
<input type="checkbox"/> STD	Standard Height		
Controls (select one)			
<input type="checkbox"/> F	Foot Control Valve	<input type="checkbox"/> TT	TouchTime® Metering §
<input type="checkbox"/> IR	Infrared Activation §	<input type="checkbox"/> AST	Air Valve Metering
Mixing Valve (select one)			
<input type="checkbox"/> MMV	Manual Mixing Valve		
Soap Dispenser (select one)			
<input type="checkbox"/> PSD	Powdered Soap Dispenser	<input type="checkbox"/> NSD	No Soap Dispenser
<input type="checkbox"/> LSD	Liquid Soap Dispenser		
Bradstone® Bowl Color (select one)			
<input type="checkbox"/> SBOX	Sandbox		
<input type="checkbox"/> CBON	Carbon		

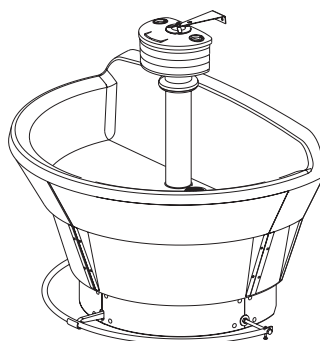
Optional Selections	
Thermostatic Mixing Valve	
<input type="checkbox"/> TMA	Thermostatic Mixing Valve (in lieu of manual mixing valve)
Metal Soap Dispenser	
<input type="checkbox"/> MLSD	Metal-Clad Liquid Soap Dispenser
<input type="checkbox"/> MPSD	Metal-Clad Powdered Soap Dispenser
1-1/2" Tie Pipe Assembly	
<input type="checkbox"/> TA	Reinforces Support Tube
Shroud	
<input type="checkbox"/> SH	Stainless Steel Shroud (Conceals Overhead Piping)
Paper Towel Dispensers	
<input type="checkbox"/> CTD (2)	C-Fold, Multi-Fold Dispenser
<input type="checkbox"/> SFTD (2)	Single-Fold Dispenser

§ Please visit www.bradleycorp.com/dc for important information regarding a regulatory requirement to convert Bradley's TT and IR activations from AC to DC starting in late 2016.

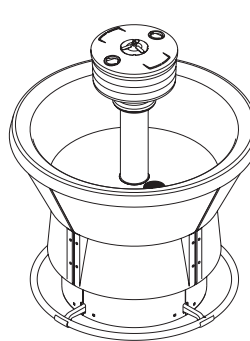
Semi-Circular Bradstone® WF2803 and WF2804, Circular Bradstone® WF2805 and WF2808



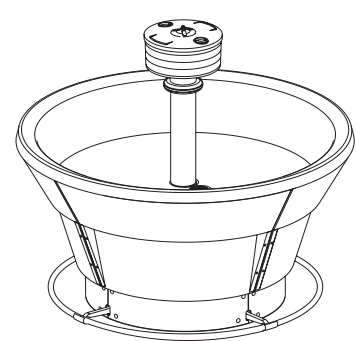
WF2803



WF2804



WF2805



WF2808



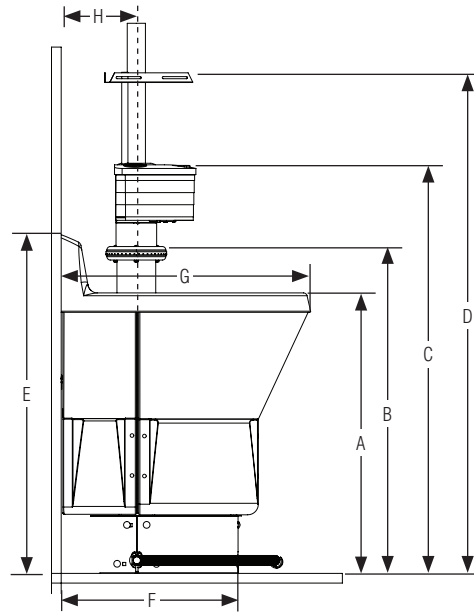
WF2803, WF2804, WF2805, WF2808 Bradstone® Classic Washfountains

Dimensional Information

(mm)



**Add 3-1/2" to Dimensions C & D for Optional TouchTime® (TT), Infrared Sensor (IR) or Air Valve (AST)

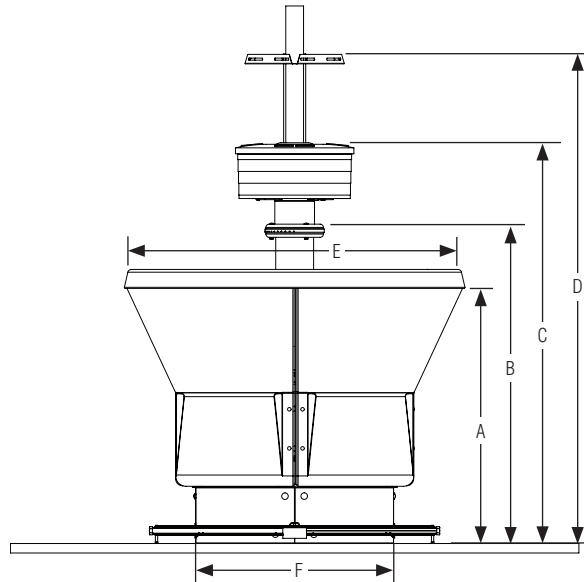


Semi-Circular

Model	Size	A	B	C**	D**	E	F	G	H
2804	54" (1372)	29-1/4" (743)	37-1/2" (953)	46" (1168)	54-3/8" (1381)	35-1/4" (895)	24-1/4" (616)	35-1/4" (895)	8-1/4" (222)
2803	36" (914)	29-1/4" (743)	34" (864)	42-1/2" (1080)	50-7/8" (1292)	35-1/4" (895)	18-1/4" (464)	25-3/4" (654)	7-3/4" (197)



**Add 3-1/2" to Dimensions D & E for Optional TouchTime® (TT), Infrared Sensor (IR) or Air Wave (AST)



Circular

Model	Size	A	B	C**	D**	E	F
2808	54" (1372)	29-1/4" (743)	37-1/2" (953)	46" (1168)	54-3/8" (1381)	54 (1372)	32 (813)
2805	36" (914)	29-1/4" (743)	34" (864)	42-1/2" (1080)	50-7/8" (1292)	36 (914)	21 (533)

** Add 3-1/2" (89) for optional TouchTime® (TT), infrared sensor (IR) or air valve (AST).



WF2803, WF2804, WF2805, WF2808 Bradstone® Classic Washfountains

(mm)

Rough-In Notes

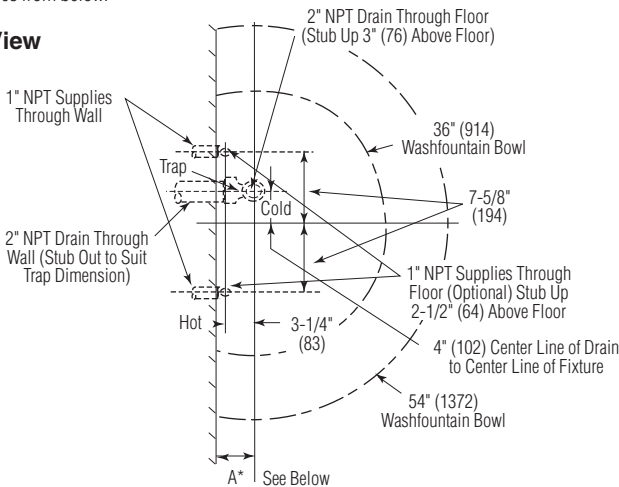
1. All pipes and fittings not furnished by Bradley are shown in broken lines.
2. Supply lines for one to two washfountains should be 1"; for three washfountains 1-1/4"; for more than three washfountains, pipe sizes should be increased proportionately.
3. Overhead supplies must be reduced to 1/2" copper tube to pass through support tube.
4. Check valve inlets are 1/2" NPT.
5. Drain Types B and H: For maximum rigidity of sprayhead/support tube assembly, use 1-1/2" NPT galvanized pipe for vent. Use of plastic or copper for vent is not recommended.

Rough-Ins – Semi-Circular

Type A

– Off-line vent with supplies from below.

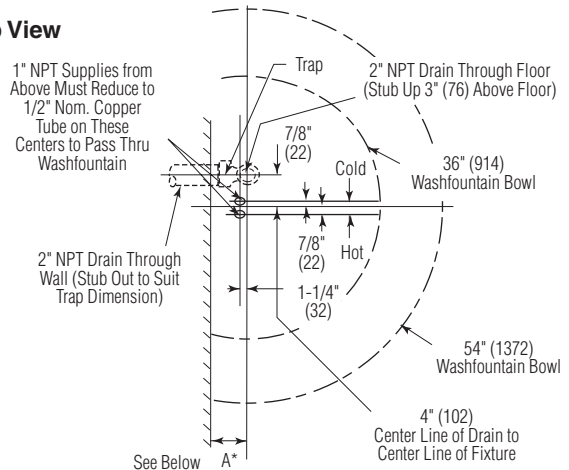
Top View



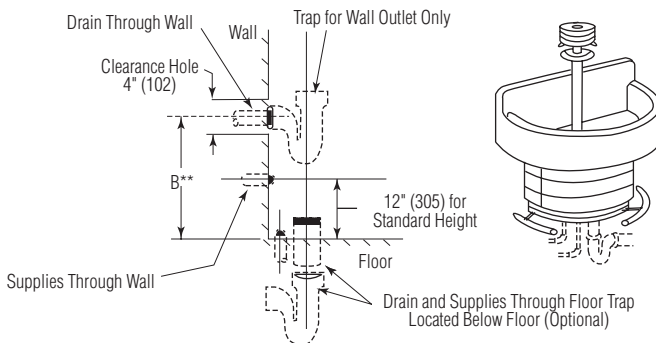
Type O

– Off-line vent with supplies from above.

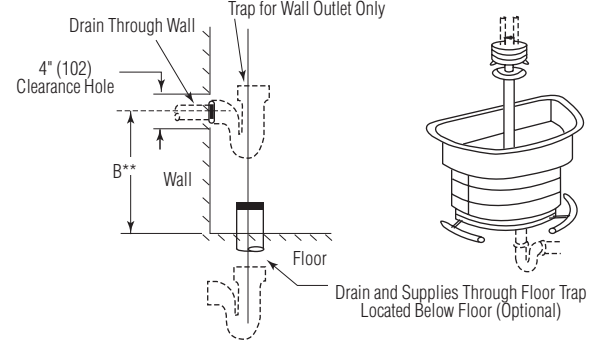
Top View



Side View



Side View



Installing Traps

When installing trap with a coupling and nipple, see dimension D in the chart below. If trap is installed tight to bottom of bowl, dimension D depends on design of trap.

Model	Bowl Size	A*	B** (Standard Height)
WF2804	54" (1372)	8-1/4" (210)	6 to 11-5/8" (152 to 295)
WF2803	36" (914)	7-3/4" (197)	6 to 12" (152 to 305)

- * Wall to centerline of trap
- ** Centerline of drain to floor



WF2803, WF2804, WF2805, WF2808 Bradstone® Classic Washfountains

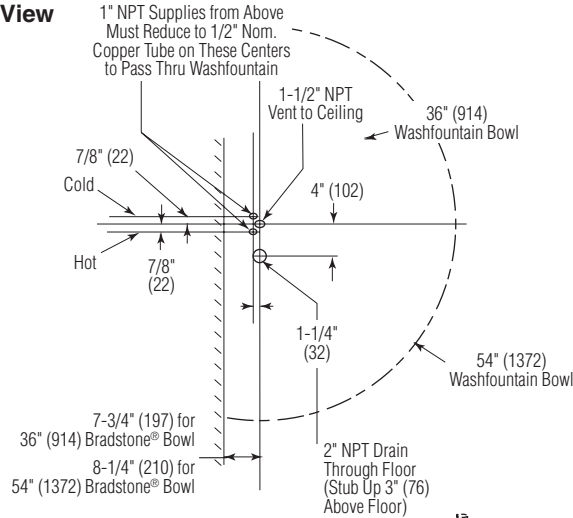
Rough-Ins – Semi-Circular (continued)

(mm)

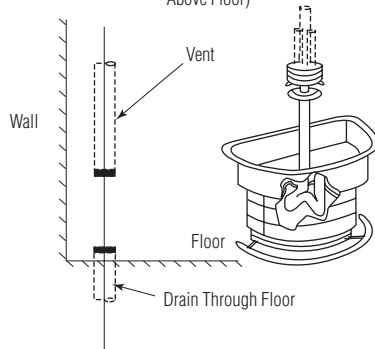
Type B

– Centrally rising vent with supplies from above.

Top View



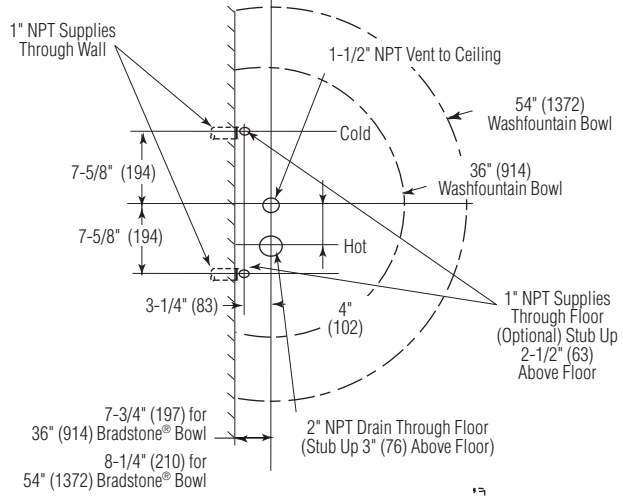
Side View



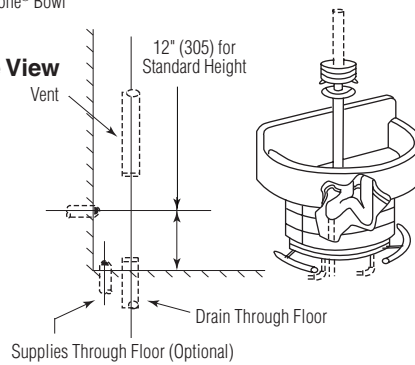
Type H

– Centrally rising vent with supplies from below.

Top View



Side View

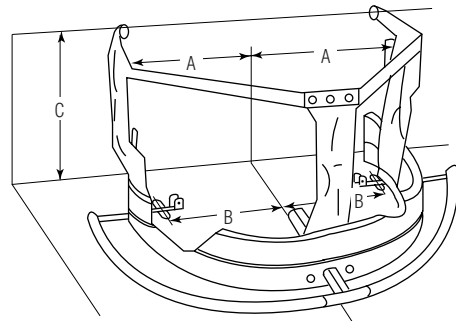


Dimensions – Pedestal Anchoring

Model	Bowl Size	Standard Height		
		A	B	C
WF2504	54" (1372)	16-1/2" (419)	14" (356)	18-1/4" (464)
WF2503	36" (914)	11" (279)	8-5/8" (219)	18-1/4" (464)

Anchoring Pedestals

1. Place pedestal assembly as shown.
2. Anchor pedestal assembly to floor and wall with suitable wall fasteners. Backing may be required in some types of wall construction.



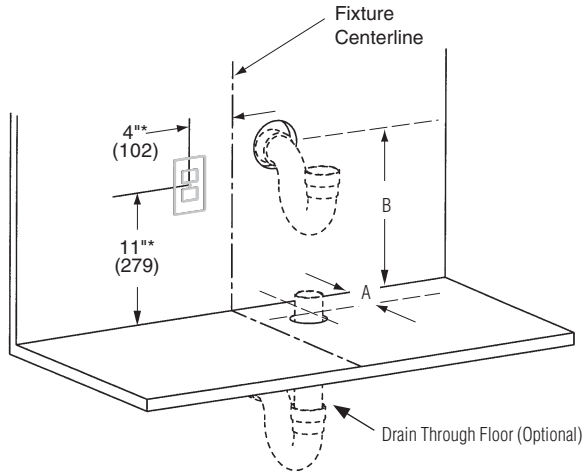


WF2803, WF2804, WF2805, WF2808 Bradstone® Classic Washfountains

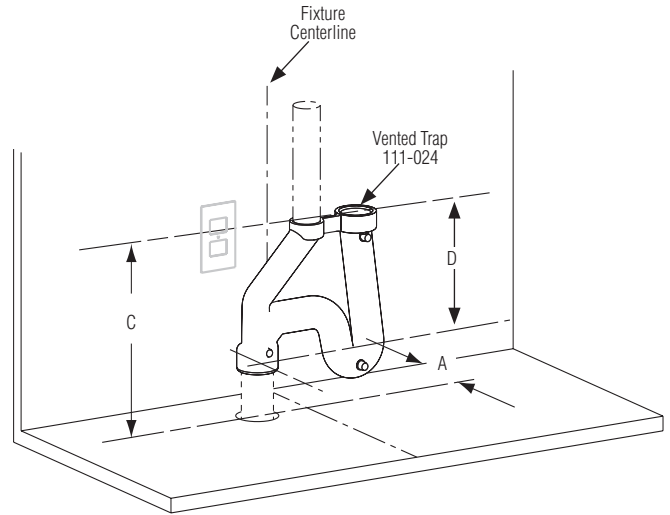
Rough-Ins – Semi-Circular (continued)

(mm)

Types A and O



Types B and H



* Suggested location of 110VAC GFCI electrical outlet. Always check local codes before installing. Outlet may be required to be in a remote location.

Model	Bowl Size	A (All Types)	B (Types A & O)	C (Types B & H)	D (Types B & H)
WF2804	54" (1372)	8-1/4" (210)	6 to 11-5/8" (152 to 295)	17" (432)	7" (178)
WF2803	36" (914)	4-3/4" (121)	6 to 13-1/4" (152 to 337)	18-5/8" (473)	7" (178)



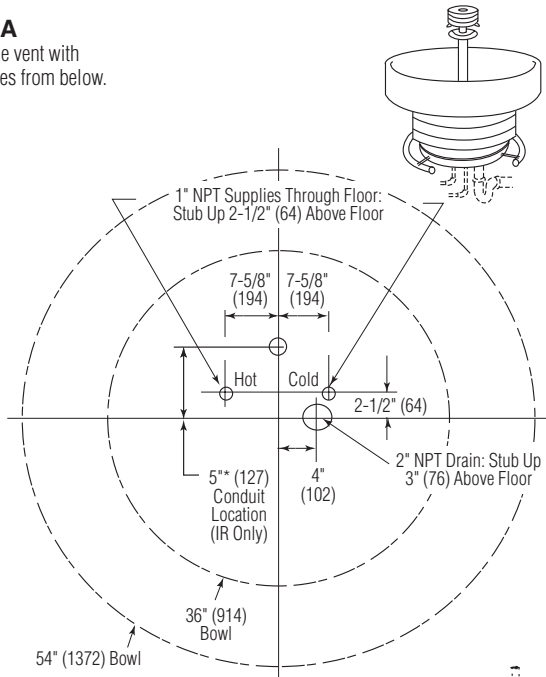
WF2803, WF2804, WF2805, WF2808 Bradstone® Classic Washfountains

Rough-Ins – Circular

(mm)

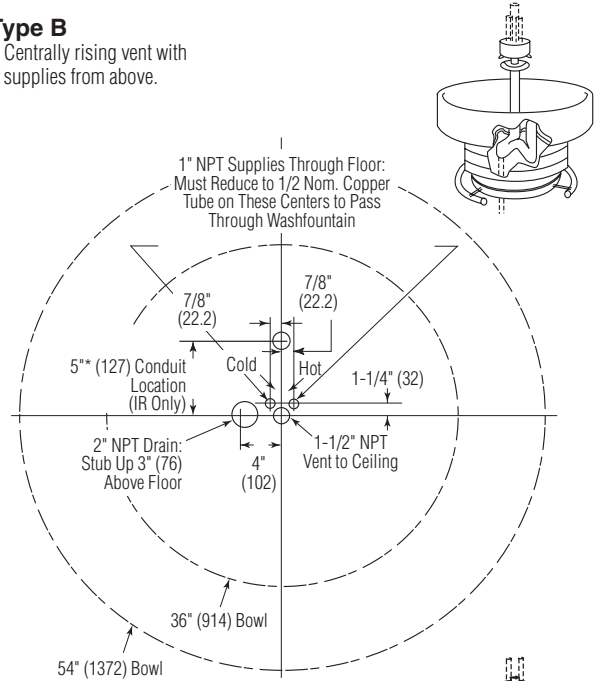
Type A

– Off-line vent with supplies from below.



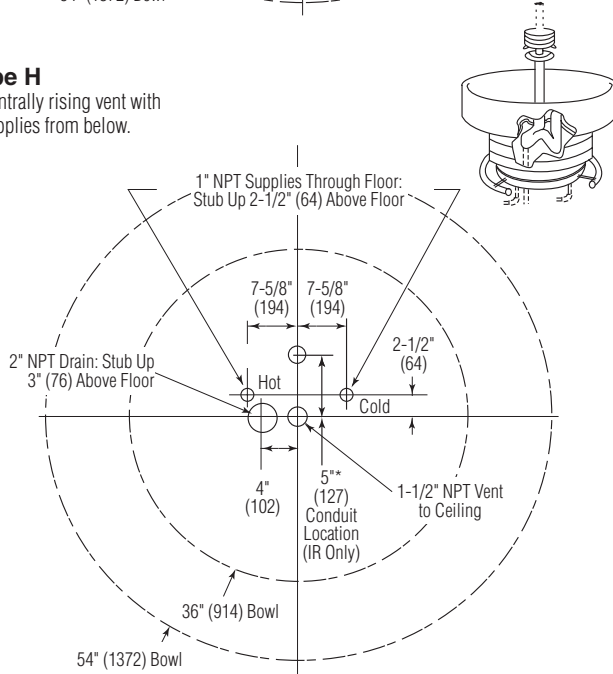
Type B

– Centrally rising vent with supplies from above.



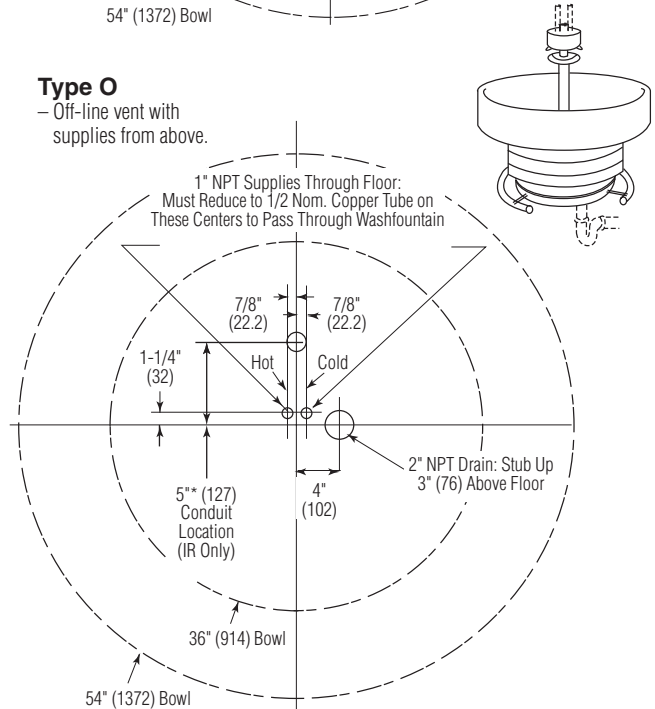
Type H

– Centrally rising vent with supplies from below.



Type O

– Off-line vent with supplies from above.



* Remote mounting of transformer with 24 VAC electrical supply to washfountain is recommended. See local electrical codes before roughing in. (This conduit location is only a recommendation.)