

Installation

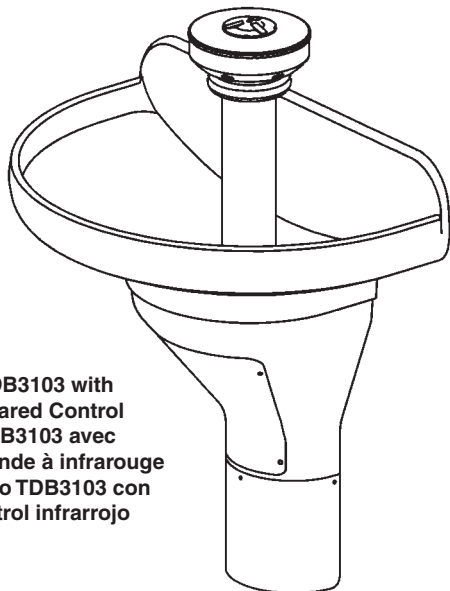
TDB3103

Terreon® 36" Semi-circular Deep Bowl Washfountain with Infrared Control

Terreon Lavabo fontaine 914 mm (36") à cuvette profonde semi-circulaire avec commande à infrarouge

Fuente de lavado semicircular con palangana profunda Terreon de 914 mm (36") con control infrarrojo

TDB3103 with
Infrared Control
TDB3103 avec
commande à infrarouge
Modelo TDB3103 con
control infrarrojo



WF3203

Terreon Extra Height 36" Semi-Circular Classic Washfountain with 9" Deep Bowl and Infrared Control

Terreon Lavabo fontaine 914 mm (36") à hauteur supplémentaire classique semi-circulaire à cuvette profonde de 229 mm (9") et commande à infrarouge

Fuente de lavado clásica semicircular Terreon de altura adicional de 914 mm (36") con palangana profunda de 229 mm (9") y control infrarrojo

WF3203 with
Infrared Control
WF3203 avec
commande à infrarouge
Modelo WF3203 con
control infrarrojo

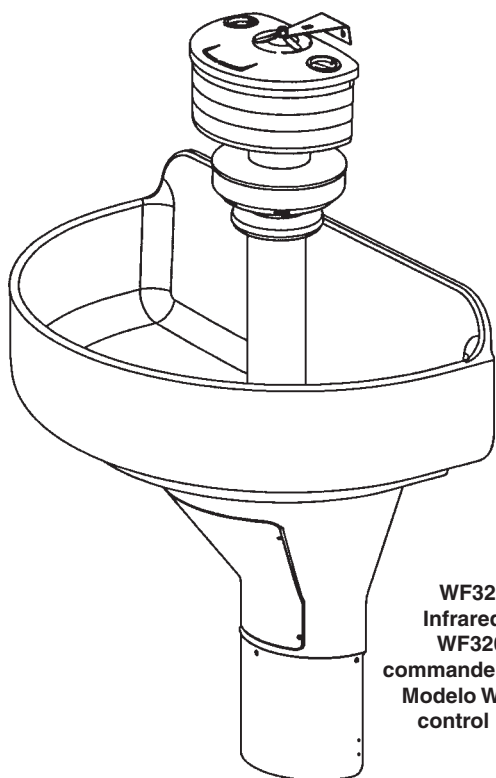


Table of Contents

Pre-Installation Information	3
Semi-Circular Washfountain Dimensions	4-5
Rough-In Specifications	6-7
Installing the Drain	8
Bowl/Pedestal Mounting and Assembly	8
Installing Drain Spud in Bowl	9
Connect Supply Stops, Sprayhead Supply Tubing and P-Trap	9
Sprayhead, IR Module and Thermostatic Mixing Valve Installation	10
Electrical Connections for Adaptive Infrared	11
Adjust the Temperature	12
Cleaning and Maintenance	13-14
Soap Valve Parts List and Maintenance	15-16
Sprayhead Parts List and Troubleshooting	17
IR Module Troubleshooting	18
Adaptive IR Troubleshooting	19
Thermostatic Mixing Valve Troubleshooting	20

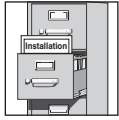
Sommaire

Informations sur la pré-installation	21
Dimensions du lavabo fontaine semi-circulaire	22-23
Spécifications de mise en place des tuyauteries	24-25
Mise en place des tuyauteries de drain et d'alimentation	26
Montage de l'ensemble cuvette et socle	26
Installation de l'ergot de drain dans la cuvette	27
Raccorder les robinets d'arrêt d'alimentation, la tubulure d'alimentation et le siphon en P	27
Installation du bec diffuseur, du module IR et du robinet mélangeur thermostatique	28
Connexions électriques pour infrarouge Adaptive	29
Faire couler l'eau pour régler la température	30
Instructions de nettoyage/d'entretien	31-32
Nomenclature et conseils d'entretien pour le savon	33-34
Nomenclature et Suggestions pour réparer le bec diffuseur	35
Dépannage IR Adaptive	36
Dépannage du bouton-poussoir électromagnétique	37
Dépannage du robinet mitigeur thermostatique	38

Índice

Información previa a la instalación	39
Dimensiones de fuentes de lavado semicirculares	40-41
Especificaciones técnicas para colocación de tuberías empotradas	42-43
Desagüe y suministros empotrados	44
Montaje y ensamblaje de palangana/pedestal	44
Instalación del embudo de desagüe en la palangana	45
Conecte las válvulas de cierre de suministro, la tubería de suministro de la boquilla rociadora y el sifón en P	45
Instalación de la boquilla rociadora, el módulo infrarrojo y la válvula mezcladora termostática	46
Conexiones eléctricas para el dispositivo infrarrojo Adaptive	47
Ajuste la temperatura con el agua corriendo	48
Instrucciones de limpieza/mantenimiento	49-50
Lista de piezas y mantenimiento de los dispensadores de jabón	51-52
Lista de piezas y solución de problemas de las boquillas rociadoras	53
Localización de fallas del dispositivo IR Adaptive	54
Solución de problemas de la válvula de solenoide	55
Solución de problemas de la válvula mezcladora termostática	56

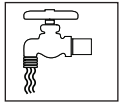
IMPORTANT!



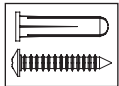
Read this entire installation manual to ensure proper installation. When finished with the installation, file this manual with the owner or maintenance department.



Separate parts from packaging and make sure all parts are accounted for before discarding any packaging material. If any parts are missing, do not begin installation until you obtain the missing parts.



Make sure that all water supply lines have been flushed and then completely turned off before beginning installation. Debris in supply lines can cause valves to malfunction.



Hardware supplied by installer must be appropriate for wall construction. Wall anchors used must have a minimum pull-out rating of 1,000 lbs.



The Adaptive® Infrared control must be connected with a 24 VAC Class II transformer. Connections to 110 VAC can cause personal injury and will result in damage to the electronics.



Product warranties may be found under "Product" on our web site at www.bradleycorp.com.

Supplies Required by Installer

- (4) 1/2" lag bolts, screws or other fasteners to anchor washfountain pedestal
- 1/2" nominal copper tubing for hot and cold water supply lines.
- Standard P-trap
- 1-1/2" drain lines and fittings
- Teflon tape or pipe dope
- 110 VAC GFI power source for 110/24 VAC UL Class II transformer supplied
- OPTIONAL: Bradley recommends installing an electrical cutoff switch to the unit. This feature allows no accidental water delivery during regular maintenance and service.

Pre-Installation Information

Terreon Material

The Washfountain is constructed of Terreon®, a densified solid surface material composed of polyester resin. Terreon is resistant to chemicals, stains, burns and impact. Surface damage can be easily repaired with everyday cleaners or fine-grit abrasives. Terreon is NAHB certified to meet ANSI Z124.3, Z124.6 and ANSI/ICPA SS-1-2001.

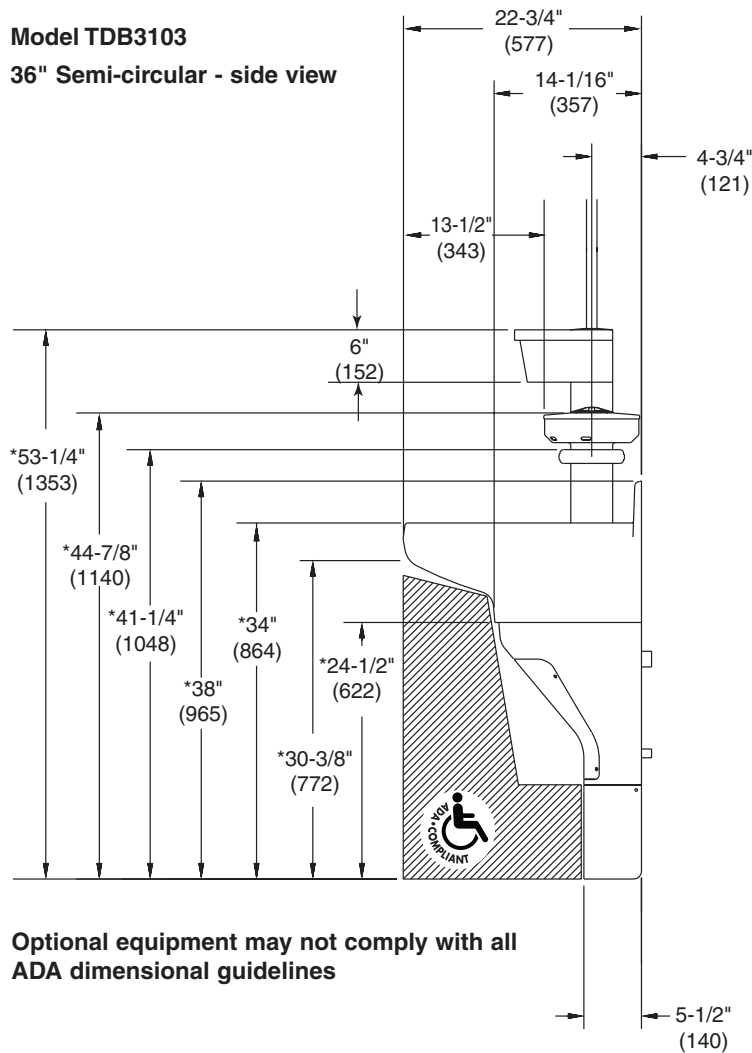
Adaptive Infrared

The sprayhead is controlled by a solenoid valve, allowing the user to activate a flow of water. The Infrared sensor will take a few minutes to adapt to its environment when the unit is powered up.

Semi-Circular Washfountain Dimensions

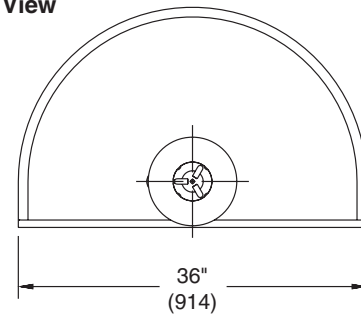
Model TDB3103

36" Semi-circular - side view

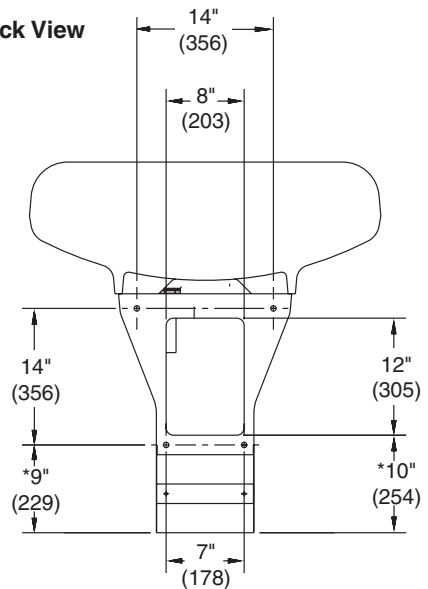


Optional equipment may not comply with all ADA dimensional guidelines

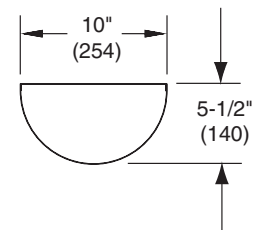
Top View



Back View



Bottom View



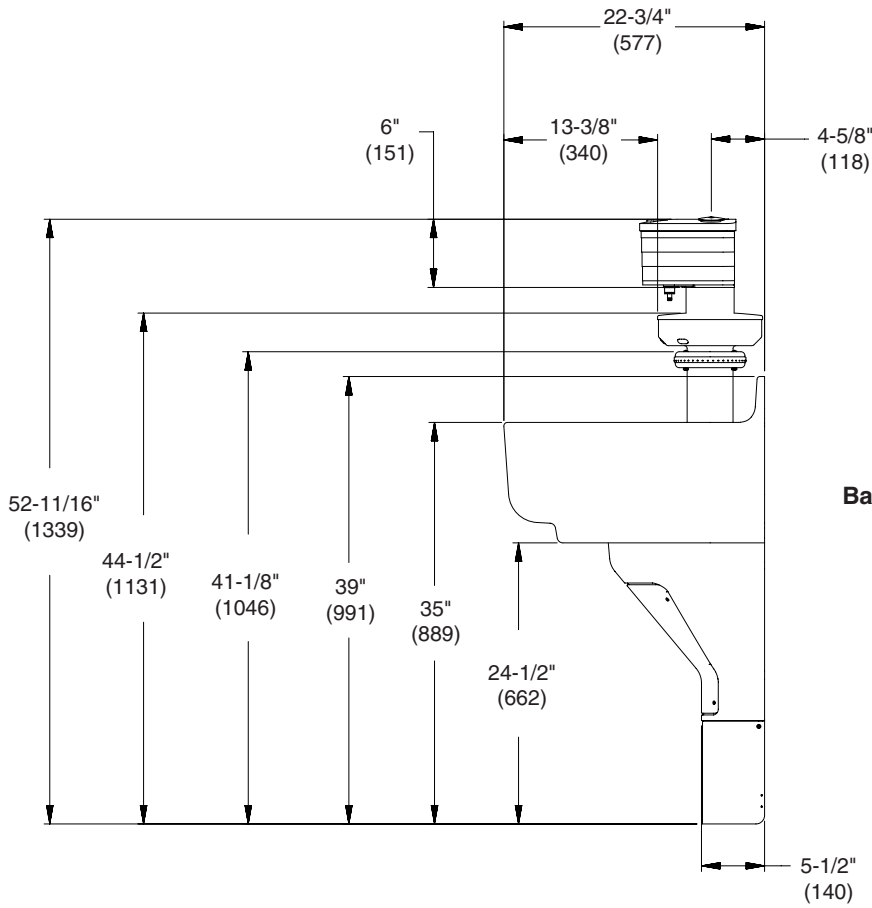
***Adjustments to Vertical Dimensions for Various Rim Heights**

Rim Height	Application	Adjustment
34"	Adult Height ADA, TAS Adult Height	None, as shown
32"	TAS Ages 11 thru 14 or 15, Grades 6 thru 8 or 9	Subtract 2"
30"	TAS Ages 4 thru 10 or 11, Grades 6 thru 8 or 9 & Proposed Juvenile Height ADA	Subtract 4"

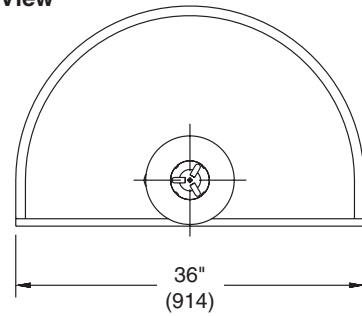
Semi-Circular Washfountain Dimensions

Model WF3203

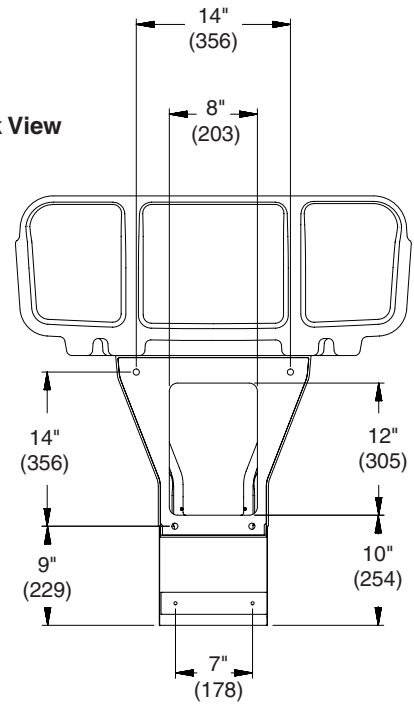
36" Semi-circular - side view



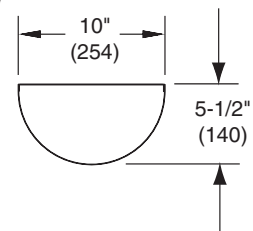
Top View



Back View

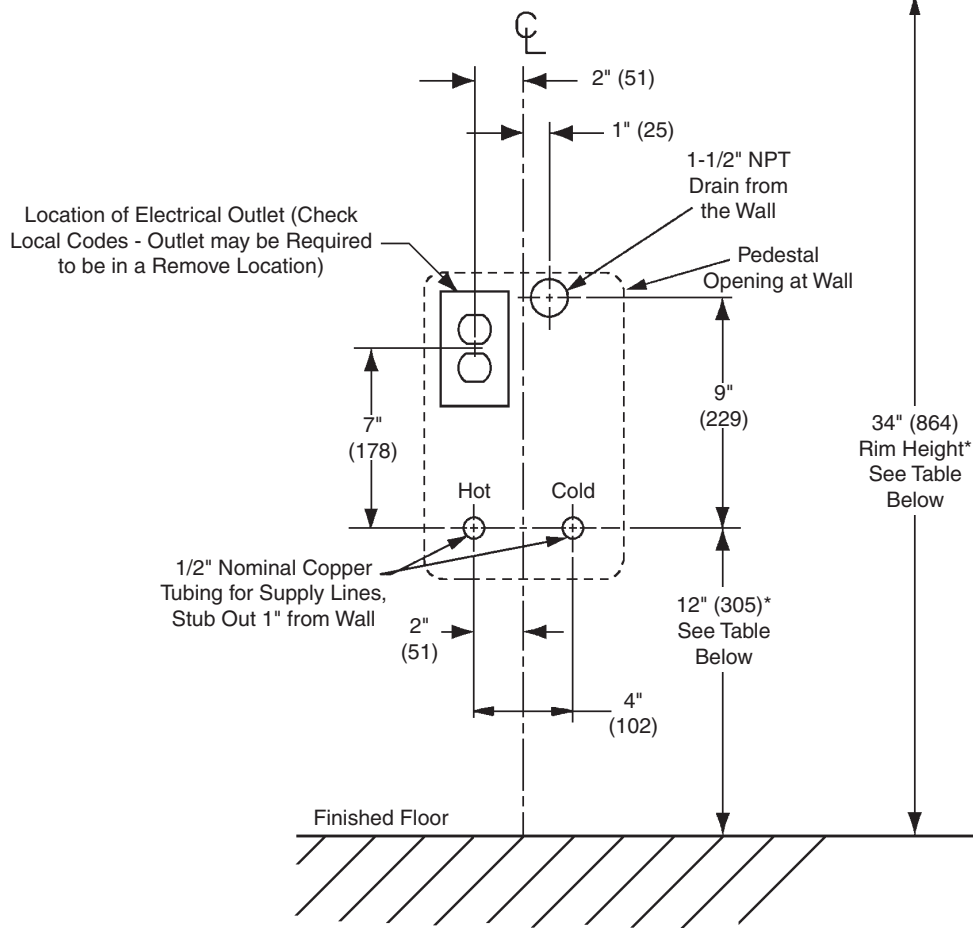


Bottom View



Semi-Circular Washfountain Rough-Ins

(mm)



*Adjustments to Vertical Dimensions for Various Rim Heights		
Rim Height	Application	Adjustment
34" 35" (WF3203)	Adult Height ADA, TAS Adult Height	None, as shown
32"	TAS Ages 11 thru 14 or 15, Grades 6 thru 8 or 9	Subtract 2"
30"	TAS Ages 4 thru 10 or 11, Grades Pre-K thru 5 or 6 & Proposed Juvenile Height ADA	Subtract 4"

Rough-In Specifications

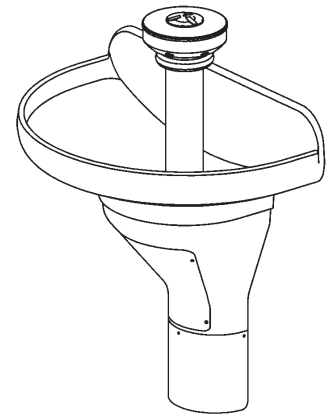
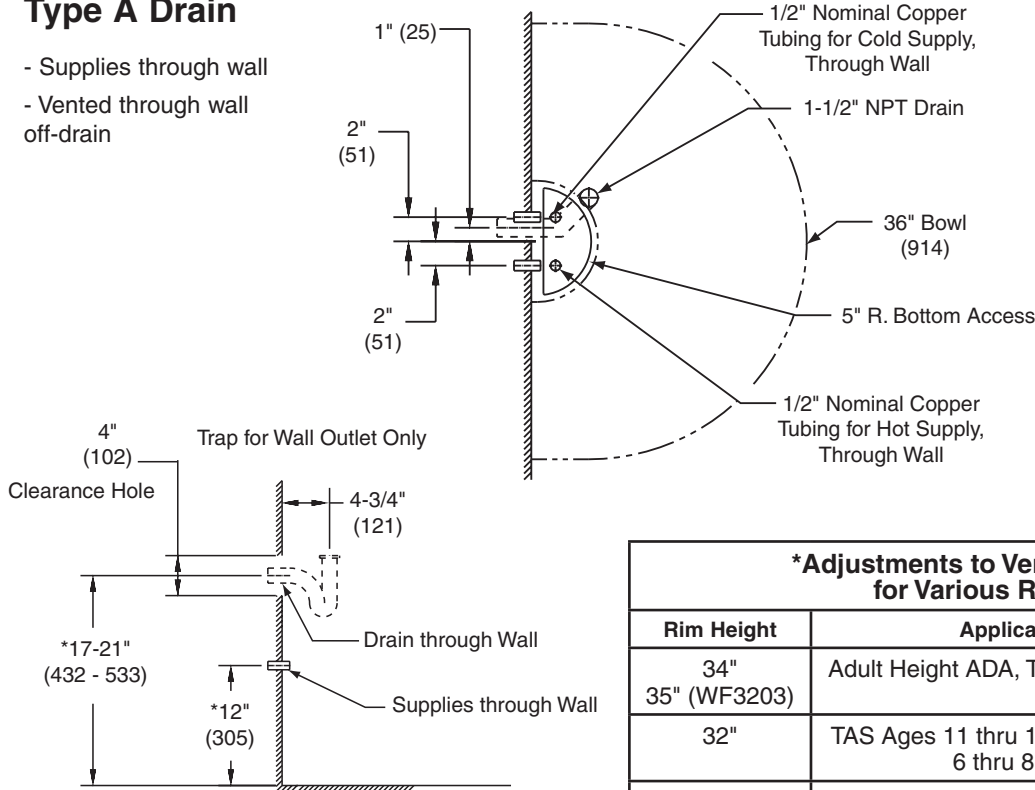


Drain P-Trap and supplies by others.

(mm)

Type A Drain

- Supplies through wall
- Vented through wall off-drain

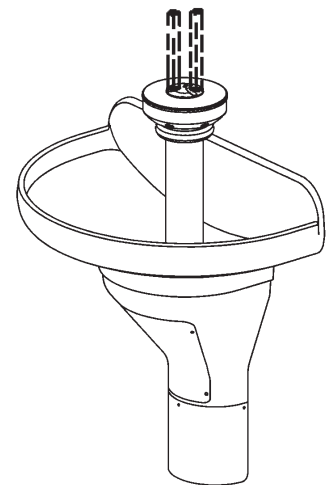
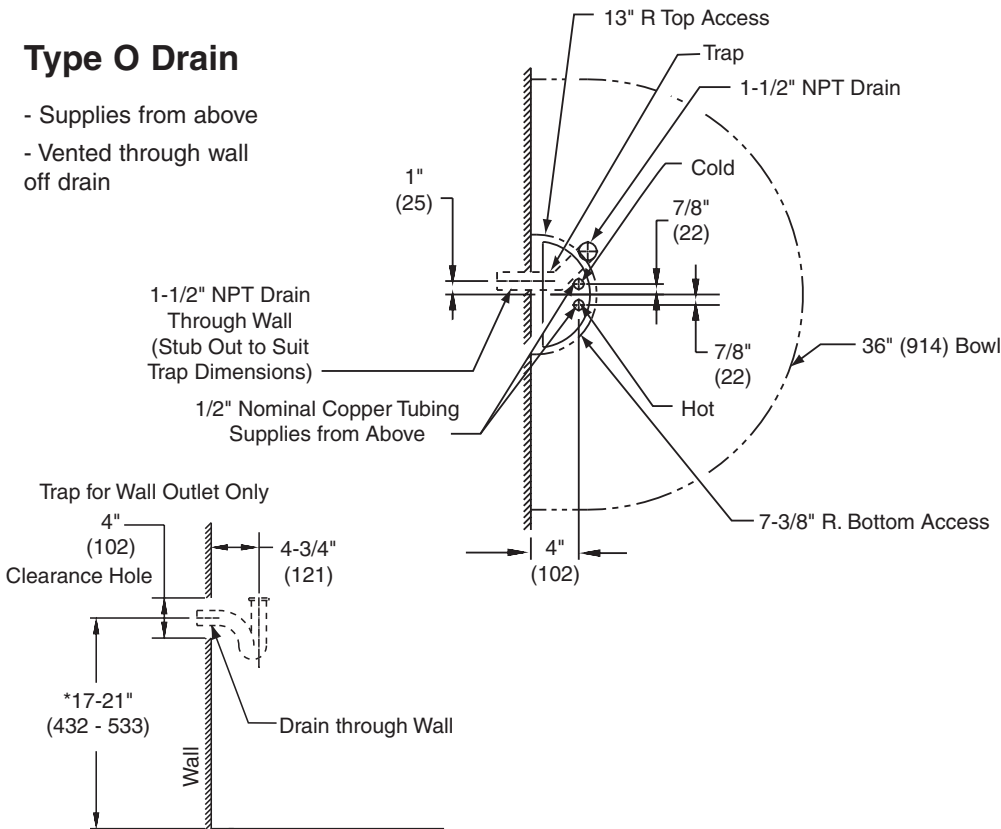


***Adjustments to Vertical Dimensions for Various Rim Heights**

Rim Height	Application	Adjustment
34" 35" (WF3203)	Adult Height ADA, TAS Adult Height	None, as shown
32"	TAS Ages 11 thru 14 or 15, Grades 6 thru 8 or 9	Subtract 2"
30"	TAS Ages 4 thru 10 or 11, Grades Pre-K thru 5 or 6 & Proposed Juvenile Height ADA	Subtract 4"

Type O Drain

- Supplies from above
- Vented through wall off drain



1 Rough-in Drain and Supplies

A Rough in supply and drain piping as required for your installation.

A location to plug in the 24 VAC Transformer is required. Refer to drawing for Outlet Rough-In.

2 Bowl/Pedestal Mounting and Assembly

A Attach the stainless steel pedestal base to the pedestal using supplied screws and finishing washers.

Before attaching 1/4" wing nuts and washer to threaded rod, remove red protective caps from threaded rods. Discard sleeve caps after removal.

B Position the pedestal at the desired location and mark the position of the (4) pedestal wall mounting locations.

CAUTION! Bowl surface is very smooth. Approximate weight of bowl is 75 pounds. Handle with Care!

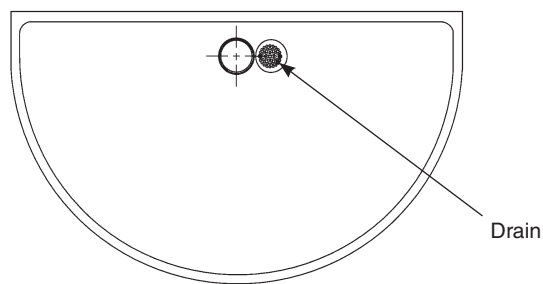
C Secure pedestal to wall with suitable fasteners, 1/2" anchors and 1/2" bolts (supplied by installer).

D Using two people, carefully lift bowl onto pedestal.

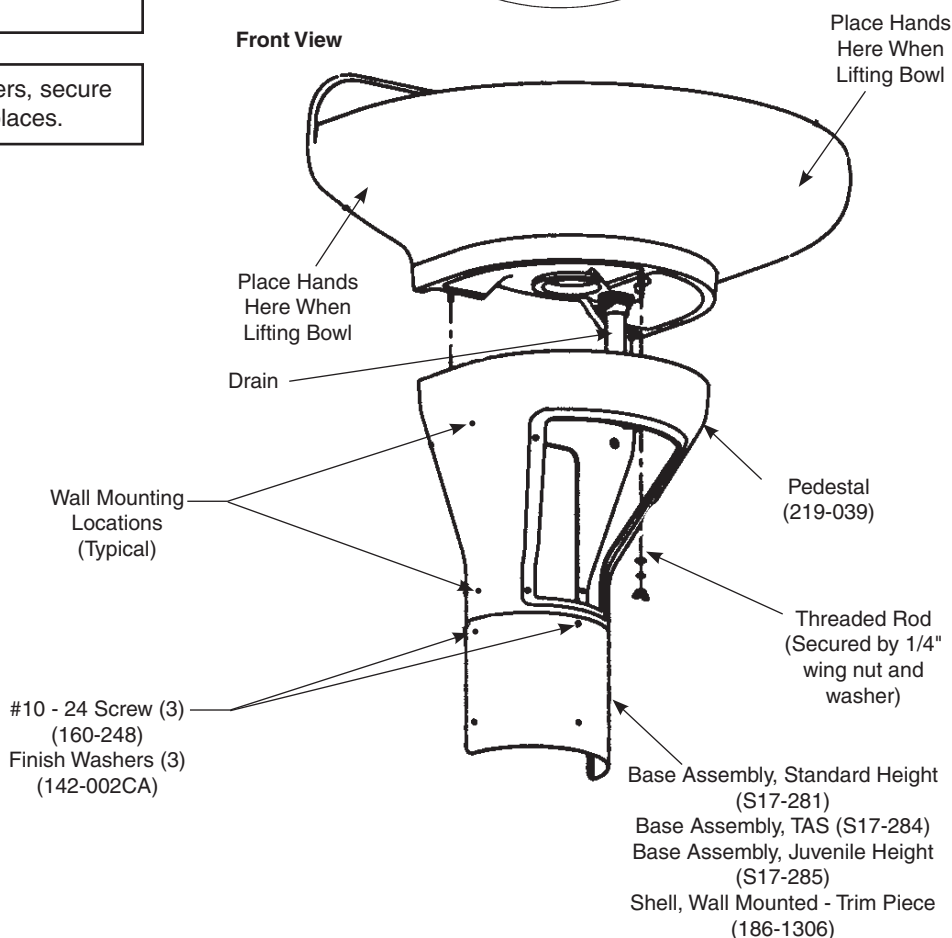
E Position the bowl so that the threaded rods in the bowl mate with the slotted holes in the pedestal.

F Using 1/4" wing nuts and washers, secure the bowl to the pedestal, three places.

Top View



Front View

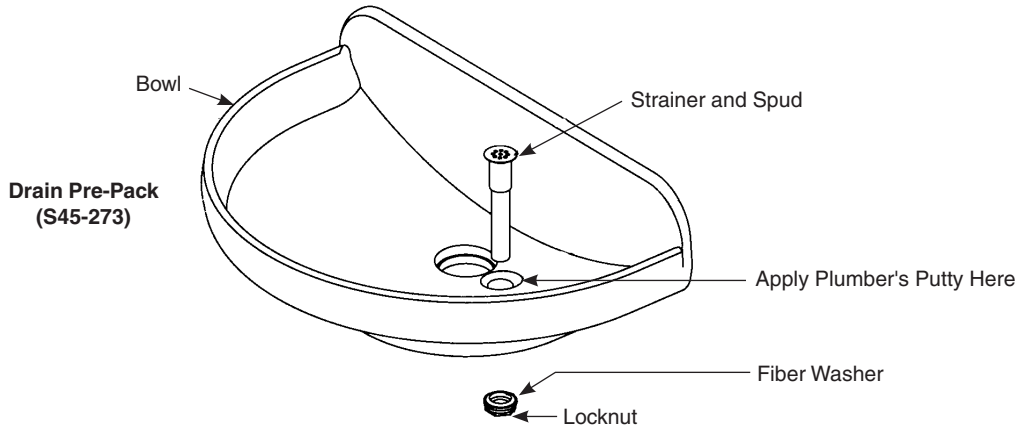


3 Installing Drain Spud in Bowl

A Secure drain spud with lock nut and washers.



Seal between drain spud and drain hole with plumber's putty (supplied by installer).



4 Connect Supply Stops, Sprayhead Supply Tubing and P-Trap

A Connect supply stops onto stub-outs.



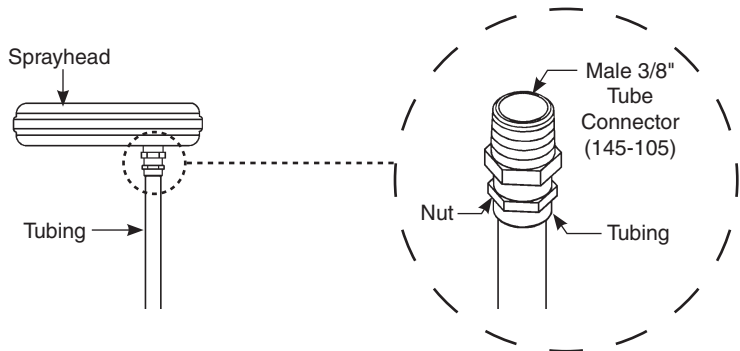
Flush supply lines before making connections. Do not use pipe sealant on compression fittings.

B Using a sharp knife, cut tubing squarely and remove any burrs. Do not pinch or crush end of tubing.

C Loosen nut on fitting. Moisten end of tube and push into fitting until it is firmly seated. Tighten nut to secure tube to fitting (make sure nut is securely tightened).

D If connector leaks, reseal tubing. If leaking persists, replace the male connector, or call your bradley representative for assistance.

E Connect p-trap (supplied by installer) to tailpiece and drain outlet.



5 Sprayhead, IR Module and Thermostatic Mixing Valve Installation

A Install hemmed end (not sharp end) of support tube with gasket onto bowl.

B Place sprayhead with 3/8" tubing onto support tube. Run the tubing down through the support tube. Make sure the spray holes point away from the wall.

C Place the upper tie bar (notched at both corners of each end) on top of sprayhead parallel to wall. Connect the two threaded tie rods together using the coupling nut with hex head set screws. Run the tie rod down through upper tie bar and secure from underneath the bowl using the lower tie bar (no notches) and hex nut with socket head set screw. A minimum of 2-1/4" of threaded tie rod should protrude below the lower tie bar; this will be required to attach the valving.

D Place the infrared module assembly on top of sprayhead. Rotate until infrared module locks in with tie bar. Drop two infrared module wires down to valve assembly. Make sure infrared module windows are facing away from the wall.

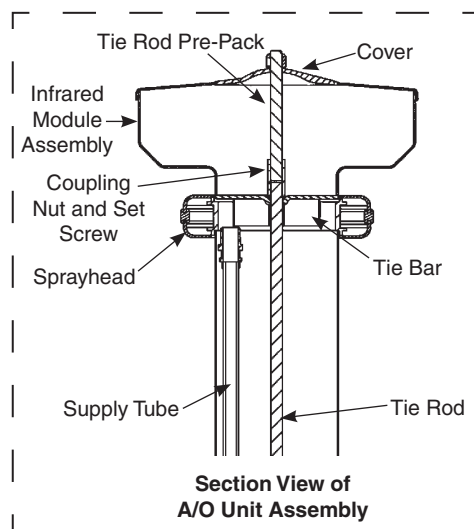
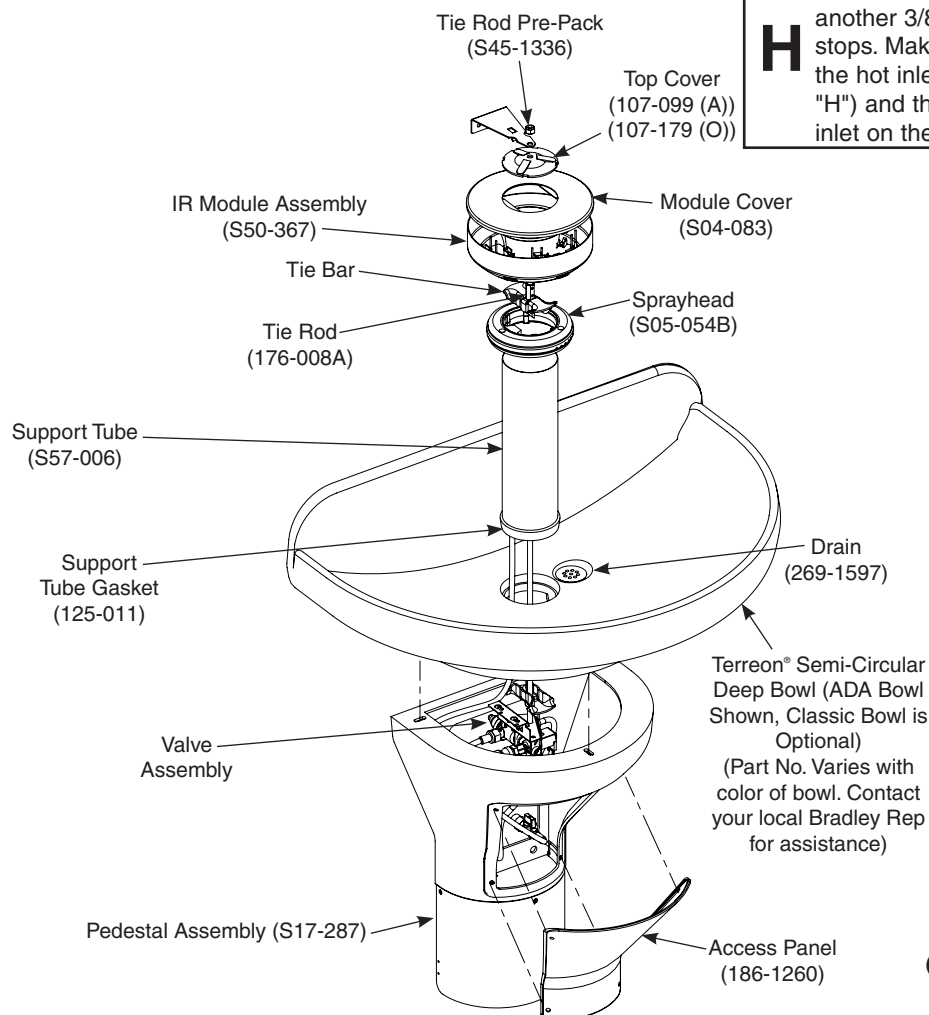
Skip to step F for units without soap.

E For units with soap option, install the spacer, soap dispenser and cover using the coupling nut, third tie rod (8-5/8" long) and second coupling nut. Secure with sprayhead restraining bracket, acorn nut and socket head screw.

F Secure infrared module cover and top cover with acorn nut and socket head set screw.

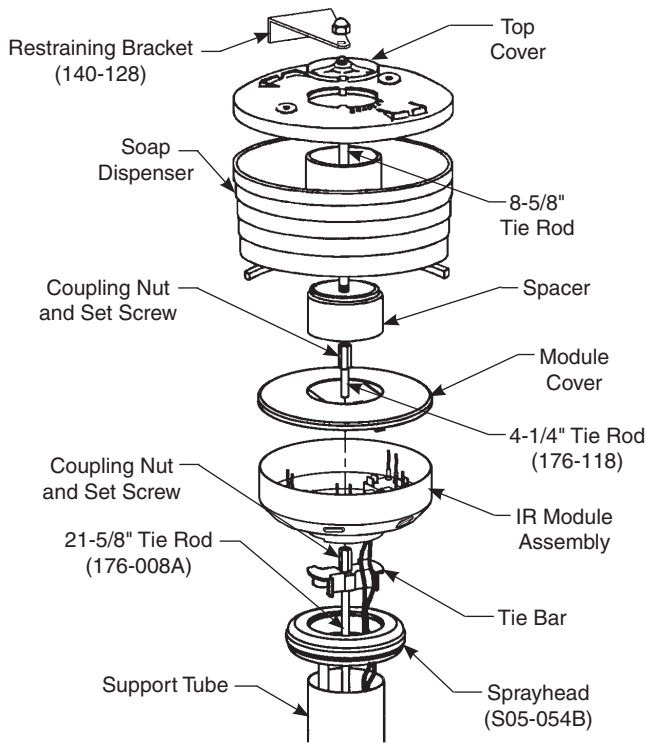
G Holding the valve assembly outside of pedestal, connect 3/8" tubing from sprayhead to valve assembly tube connector. Connect the two flexible hoses to the valve assembly.

H Thread one supplied 3/8" nut onto the tie rod. Slide valve assembly on next and secure with another 3/8" nut. Connect flexible hoses to supply stops. Make sure the hot supply is connected to the hot inlet on the valve (marked with the letter "H") and the cold supply is connected to the cold inlet on the valve (marked with the letter "C").

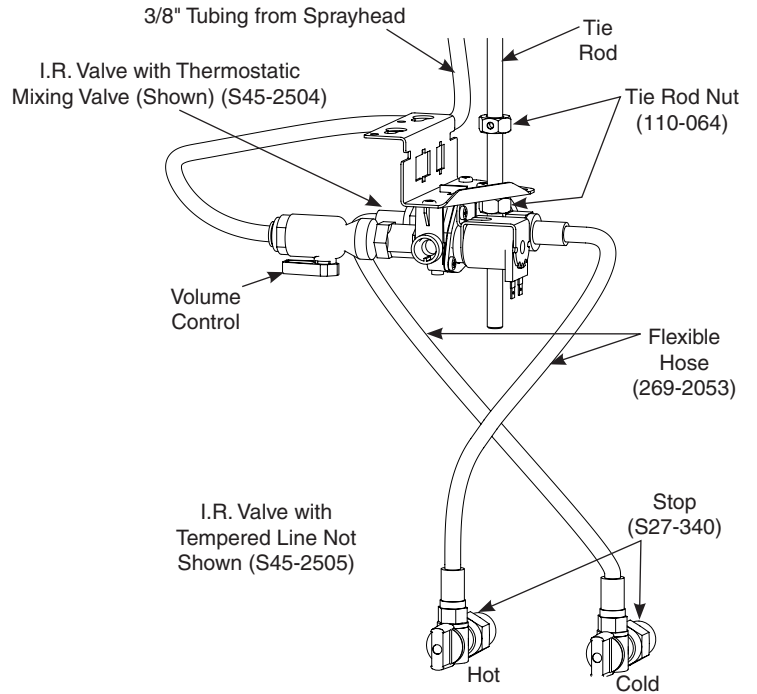


A/O Units (A Shown)

Unit with "A" Drain and IR Module Shown, Also Available with "O" Drain



Valve Assembly



Do not apply pipe sealant to compression fittings.

6 Electrical connections for Adaptive Infrared

START-UP NOTE: Do not use for two minutes after making power connection. The sensors will take up to eight minutes (without being used) to adapt to the bowl if another object is detected during the two-minute start-up period.

A Attach infrared female connect wire from infrared module to solenoid.

B Attach the infrared male connect wire from the infrared module to the transformer lead wire.

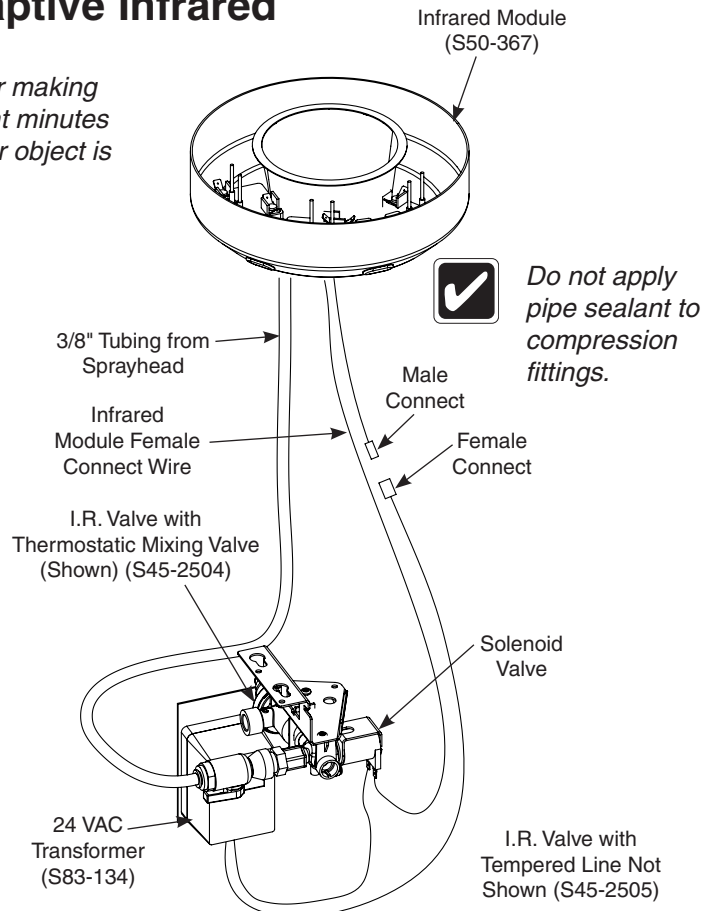
C Attach the remaining transformer lead wire to the solenoid.

D Connect 24 VAC transformer provided to power source.

E Turn supplies on. Open stop valves completely.

F Open volume control valve completely and check piping installation for leaks.

G Pass your hand in front of each sensor until air is purged from the lines.



Do not apply pipe sealant to compression fittings.

7 Adjust the Temperature



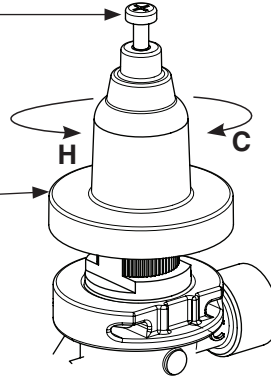
This valve is NOT factory preset. Upon installation, the temperature of this valve must be checked and adjusted to ensure delivery of a safe water temperature. Water in excess of 110°F (43°C) may cause scalding.

A Loosen Cap Screw about 1/4" (4-6 turns) and lift up cover (do not remove).

B Using cover, turn cartridge gently until desired water temperature is reached. Do not turn past stops as this may damage unit. Push cover down and tighten screw.

C Clean sprayhead, if necessary. Adjust the volume control to control the flow of water.

D Attach pedestal access panel with hardware provided.



Cleaning and maintenance instructions for Terreon®

Material Description: Terreon® is an NAHB Certified densified solid surface material composed of polyester resin and is resistant to chemicals, stains, burns and impact. Surface damage can be easily repaired with everyday cleansers or fine grit abrasives.

Routine Cleaning: Clean daily or as often as conditions require using a standard commercial or household cleaner such as Formula 409® or Windex®.

Stubborn Stains: Remove tough stains with Ajax®, Comet®, or Soft-Scrub® and a green Scotch-Brite® pad or lightly sand in a circular motion with 240 grit wet/dry sandpaper. The finish can be renewed with a maroon Scotch-Brite pad.

Special Situations for Material

Scratches: Remove scratches with a green Scotch-Brite® pad. The finish can then be renewed with a maroon Scotch-Brite® pad.

Hard Water Deposits: Remove hard water deposits with a mild solution of vinegar and water. Always rinse the unit thoroughly after cleaning.

Restoring the surface: Use Hope's® Solid Surface cleaner and polish to refresh and protect the Terreon Solid Surface material. Bradley recommends additional care and maintenance for the darker colored Terreon. For complete instructions on this additional maintenance see Bradley document #1505.

NOTICE! Do not use strong acid or alkaline chemicals and cleansers to clean Terreon. If these chemicals come in contact with the Terreon surface, wipe them off immediately and rinse with soapy water. Avoid contact with harsh chemicals such as paint remover, bleach, acetone, etc. Avoid contact with hot pans and objects.

Repair Kits: Terreon repair kits are available. Contact your Bradley representative or distributor for part numbers and pricing.



Repair kits are made to order and have a shelf life of 30 days.

Brand Names: Use of brand names is intended only to indicate a type of cleaner. This does not constitute an endorsement, nor does the omission of any brand name cleaner imply its inadequacy. Many products named are regional in distribution, and can be found in local supermarkets, department and hardware stores, or through your cleaning service. It is emphasized that all products should be used in strict accordance with package instructions.

Cleaning/Maintenance Instructions for Gel-coated Fiberglass

Material Description: The Terreon Washfountains referenced in this installation manual use a gel-coated fiberglass pedestal.

Routine Cleaning: The gel-coated pedestal should be cleaned daily or as often as needed with a mild solution of detergent and water. Always use a soft cloth to avoid damage to the finish.

Repair Kits: There are no repair kits available for fiberglass materials. However, replacement parts are available, contact your Bradley representative for pricing and part numbers.

NOTICE! Do not expose gel-coated fiberglass to solvents as they will damage the material and may create harmful fumes.

Brand Names: Use of brand names is intended only to indicate a type of cleaner. This does not constitute an endorsement, nor does the omission of any brand name cleaner imply its inadequacy. Many products named are regional in distribution, and can be found in local supermarkets, department and hardware stores, or through your cleaning service. It is emphasized that all products should be used in strict accordance with package instructions.

Cleaning and maintenance instructions for stainless steel

Material Description: Stainless steel is extremely durable, and maintenance is simple and inexpensive. Proper care, particularly under corrosive conditions, is essential. Always start with the simplest solution and work your way toward the more complicated.

Routine cleaning: Daily or as often as needed use a solution of warm water and soap, detergent, or ammonia. Apply the cleaning solution per the manufacturer's instructions and always use a soft cloth or sponge to avoid damaging the finish.

Stubborn Stains: To remove stains from stainless steel use a stainless steel cleaner and polish such as Ball® stainless steel cleaner or a soft abrasive. Always follow the manufacturer's instructions and apply in the same direction as the polish lines.

NOTICE! Never use ordinary steel wool or steel brushes on stainless steel. Always use stainless steel wool or stainless steel brushes.

Special Situations for Material

Fingerprints and Smears: To remove fingerprints or smears use a high quality stainless steel cleaner and polish in accordance with the manufacturer's instructions. Many of these products leave a protective coating that helps prevent future smears and fingerprints.

Grease and Oil : To remove grease and oil use a quality commercial detergent or caustic cleaner. Apply in accordance to the manufacturer's instructions and in the direction of the polish lines.

Precautions: Avoid prolonged contact with chlorides (bleaches, salts), bromides (sanitizing agents), thiocyanates (pesticides, photography chemicals, and some foods), and iodides on stainless steel equipment, especially if acid conditions exist.

NOTICE! Do not permit salty solutions to evaporate and dry on stainless steel.

The appearance of rust streaks on stainless steel leads to the belief that the stainless steel is rusting. Look for the actual source of the rust in some iron or steel particles which may be touching, but not actually a part of the stainless steel structure.

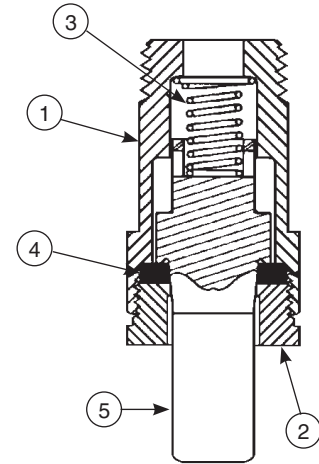
NOTICE! Strongly acidic or caustic cleaners may attack the steel, causing a reddish film to appear. The use of these cleaners should be avoided.

Brand Names: Use of brand names is intended only to indicate a type of cleaner. This does not constitute an endorsement, nor does the omission of any brand name cleaner imply its inadequacy. Many products named are regional in distribution, and can be found in local supermarkets, department and hardware stores, or through your cleaning service. It is emphasized that all products should be used in strict accordance with package instructions.

Soap Valve — Liquid — S09-007S

Parts List

Item	Part No.	Description	Attaching Parts S09-007S	
			Qty	
1	118-025	Valve Body	1	
2	110-007	Packing Nut	1	
3	135-001L	Spring	1	
4	125-001BU	Washer	1	
5	119-028	Plunger	1	
*	161-014	Nut	1	
*	124-001D	Washer	2	
*	142-002AH	Washer - Stainless Steel	1	



* Not Illustrated

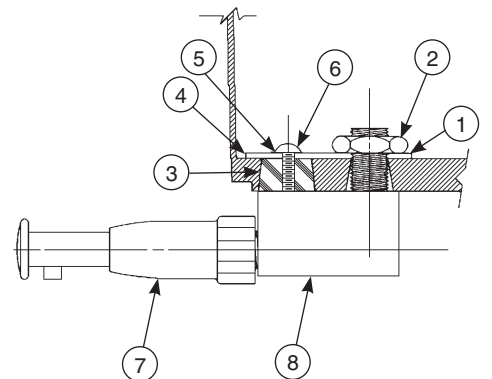
This valve delivers a measured amount of soap with each upward stroke. The soap dispenser has been standard on washfountains since 1983 and is not well-suited for very thick lotion soaps.

NOTICE! Lotion soap will clog liquid soap valves. Use only lotion soap valves with lotion soap.

Soap Valve — Lotion — S09-057S

Parts List

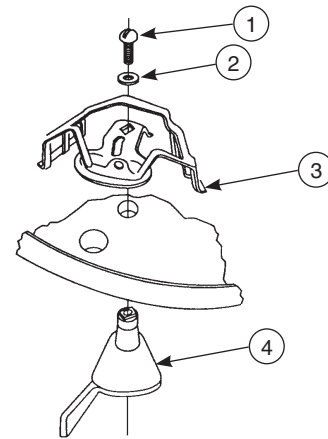
Item	Part No.	Description	Valve Assembly S09-057	Attaching Parts S09-057S
			Qty	
1	124-001D	Washer	—	1
2	110-057	Nut	—	1
3	125-001AN	Stopper	—	1
4	159-114	Reinforcing Plate	—	1
5	124-001AT	Washer	—	1
6	160-176	Screw	—	1
7	S09-040	Valve	1	1
8	S53-045	Adaptor	1	1



Soap Valve — Powdered — S09-010A

Parts List

Item	Part No.	Qty	Description
1	160-069	1	Screw, 1/4-20 RD
2	142-002X	1	Washer, 1/4 Split-Lock
3	S62-002	1	Agitator / Slide Assy.
4	192-004	1	Lever - Powdered Soap



Reducer plugs are available for use with fine granulated soap to reduce the flow.



Valves can be changed from powdered to liquid by plugging the innermost, or “bearing” hole with rubber plug, part number 125-001AK. To change from liquid to powdered, the plug must be removed. If none is present, it will be necessary to drill out the bearing hole with a 1/2" or 5/8" drill. The plastic container configuration forms a natural template for locating the bearing hole.

Soap Maintenance Tips

Soap Recommendations

Quality soap dispensers require good quality soap and periodic maintenance to properly operate. Bradley soap dispensers will provide dependable, consistent operation over the long term when soap with reasonable viscosity and pH levels are used and when a minimal amount of periodic maintenance is performed on the valves.

Soap thickness is determined by a measurement called viscosity. Soap viscosity should be between 100 cps (centerpoise) and 2500 cps for all Bradley soap dispensers. Thinner soaps are perceived by the users as being “watered down” so users tend to take more than they need, resulting in waste. **Thick soaps flow slower and inhibit the “flushing” action of the valves, which allows the soap to congeal in the valve and cause clogs.**

The pH (acid) level of the soap should be in the range of 6.5 to 8.5. More acidic soaps (pH levels lower than 6.5) will corrode metal parts (even stainless steel!!) and degrade rubber and plastic components. They will also cause skin irritation. **Most inexpensive soaps (typically the pink lotion type) fall into this acidic category and will eventually cause valve failure and metal corrosion.** Base soaps (pH levels higher than 8.5) will cause swelling or degradation of rubber and plastic parts and skin irritation.

Generally, any quality soap meeting the viscosity and pH guidelines above will work well with Bradley soap dispensers. PCMX or Isopropanol based antibacterial soaps (within viscosity and pH limits) will also work with Bradley dispensers. Soaps satisfying these basic guidelines will provide consistent flow and reduce clogs.

Most soap dispenser problems are caused by soap that is too thick or corrosive, or by a lack of maintenance. Many soaps come in concentrate form which must be diluted with water. Often, the soap is improperly diluted or used straight out of the bottle, which causes clogging and valve failure. If proper soap is being used, valves that have never been cleaned are usually the source of dispensing problems. Bradley has entered into an agreement with Champion Brand Products to provide additional customer service for purchasers of our dispensers regarding soap issues. They are very helpful and can get to the bottom of almost any soap dispenser related problem. They also sell an excellent “Bradley approved” soap. Please see **Soap Instruction Sheet 215-1286** for details about soap valve cleaning or how to contact Champion. With proper maintenance and soap, Bradley dispensers will provide long term, trouble free operation.

Soap Dispenser Maintenance Instructions

Bradley soap dispensers will provide dependable, consistent operation over the long term when the proper soap is used and when a minimal amount of periodic maintenance is performed on the valves. Valves must be maintained (cleaned) to function properly.

To ensure proper operation of your soap dispenser, follow these instructions:

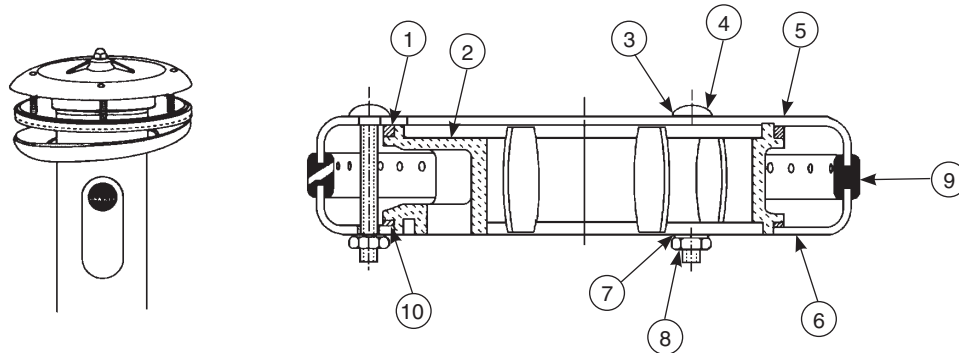
- Once per month, unscrew valve from reservoir and soak it for 30 minutes in hot water.
- Push valve at least 20 times while it is soaking.
- Flush soap reservoir with hot water while valve is soaking.

In cases of extreme clogging, the valve should be disassembled and the parts should be soaked in hot water or cleaning solution to restore proper functioning. Soap dispensers that will not be used for extended periods of time (schools during summer break, etc.) should be drained, cleaned and left empty until put back into service. Soap left on the outside of dispensers can cause discoloration and corrosion of the reservoir (even on stainless steel units). All soap should be wiped or scrubbed off daily, then the outside of the dispenser should be rinsed with clear water and dried with a soft cloth.

Sprayheads — Standard w/Neoprene Spray Ring Grommet



Repair kit does not include sprayhead grommet. Order as a separate item.



Parts List

Item	Part No.	Description	Sprayhead Assembly S05-054B	Repair Kit S45-051
			Qty	
1	125-001DE	Neoprene Washer - Top	1	1
2	139-031	Sprayhead Manifold	1	—
3	124-001AL	Washer	3	4
4	160-211	Carriage Bolt	3	4
5	115-061	Sprayhead - Top	1	—
6	116-008	Sprayhead - Bottom	1	—
7	124-001AT	Washer	3	4
8	161-025	Nut	3	4
9	124-020D	Sprayhead Grommet - Semi-Circle	1	—
10	125-001DF	Neoprene Washer - Bottom	1	1

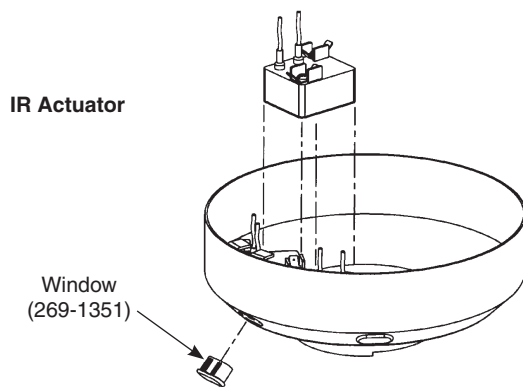
Sprayhead Service Suggestions

Problem	Possible Cause	Solution
Water splashes over the rim of the bowl.	Foreign matter has reduced the size of the sprayhead slots, causing greater pressure at the open slots.	Clean the sprayhead: <ol style="list-style-type: none"> Disassemble the sprayhead and dislodge any dirt, lime build-up and foreign debris with a wire brush. Sprayheads with rubber grommet spray rings may be cleaned by rubbing a coin over the grommet. Throttle down the volume control (water spray should strike the bowl without splashing outside of the bowl).
Water flow diminishes from the sprayhead.	Strainer portion of the stop-strainer-check valve is plugged.	Remove and clean the strainer screen from the stop-strainer-check valve.



The sprayhead shown above includes a perforated neoprene spray ring grommet that is self-cleaning. The water pressure flexes the spray holes which slows accumulation of foreign matter and tends to “break loose” any such deposits that may have accumulated.

I.R. Module Assembly Components (S50-367)



Troubleshooting Adaptive IR

There is a LED diagnostic light built into the small black box housing the circuitry for the sensor. Below is a list of what the signals from the LED mean. Use this list to troubleshoot the sensor.

Problem	Cause	Solution
LED not illuminated.	No power is getting to the sensor.	Check for power at the 110 VAC wall outlet and from the wires from the 24 VAC transformer. If there is 110 VAC power at the wall outlet, but no power from the transformer, touching leads from the transformer while plugged in or a power surge may have burned out the transformer. Add surge protection at the outlet if a power surge is suspected and replace the transformer. If 24 VAC power is being supplied from the transformer, check for loose wire connections and check connections against the wiring diagram.
Fast blink	Sensor is detecting something in it's view and water should be on (power is being sent to the solenoid)	<p>If the sensor is blinking fast, the water is turning on and there is nothing in the detection area, disconnect the power for at least 30 seconds. This will allow the sensor to loose it's memory and be reset. Reconnect the power and wait 2 full minutes to allow the sensor to relearn the environment before attempting to activate. The sensor may take up to 8 minutes to readjust if it activated during those 2 minutes.</p> <p>If the condition persists, make sure the LEDs at the ends of the sensor cables are pushed all the way in to the backs of the lenses.</p> <p>If the sensor is blinking fast and the water is not turning on, go through the troubleshooting guide for the solenoid.</p>
Slow blink	Sensor is detecting something in it's view and the water is off (power is not being sent to the solenoid).	The sensor has detected a stationary object in its view for more than 30 seconds and shut off power to the solenoid valve. Remove the object, if it is still in the bowl, and reset the sensor as explained above.
Blinking SOS (3 short, 3 long, 3 short)	The sensor has detected an overload condition and shut down to protect it's circuits.	Check connections against the wiring diagram. This condition usually means the solenoid valve is not properly wired. After correcting any wiring error, it will be necessary to reset the sensor as explained above.

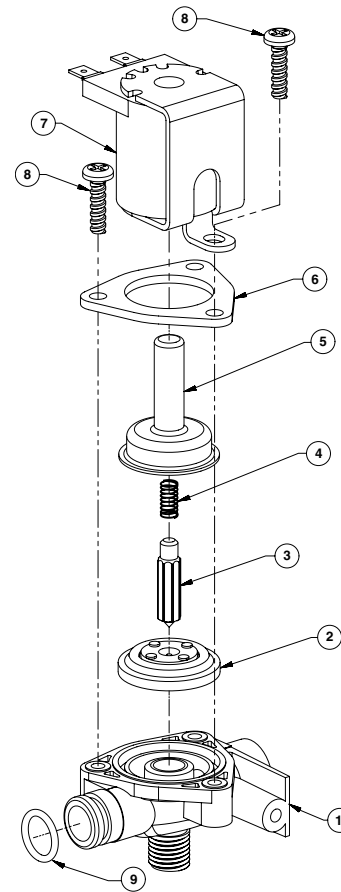
If you need further assistance, please call your local Bradley representative. Please call us at 1-800-Bradley if you need the name and telephone number of your local Bradley representative.

Solenoid Valve S07-069 (closed body)



Turn off water supplies to the unit before troubleshooting.

Item	Qty.	Part No.	Description
1	1	118-308	Valve Body, 5/16" Closed
2	1	269-983	Diaphragm
3	1	269-577	Armature
4	1	269-578	Spring
5	1	269-1729	Armature Housing
6	1	269-1730	Clamp, Armature Housing
7	1	269-1797	Coil, Solenoid Valve
8	3	160-447	Screw, #8 x 5/8"
9	1	125-165	O-ring, #2-013



Problem	Cause	Solution
An individual operating station fails to shut off and drips.	Debris is trapped between the diaphragm and the valve seat.	<p>Remove debris between diaphragm and the valve seat.</p> <ol style="list-style-type: none"> 1. Remove the three #8 Phillips-head screws that hold the solenoid valve assembly together. Be careful not to lose the armature or spring. 2. Remove the diaphragm. Remove any particles that have been trapped between the diaphragm and the valve seat. Rinse off the diaphragm and inspect for damage. Make sure the center orifice and both small side orifices are open. 3. Reassemble in reverse order (do not overtighten the Phillips-head screws or the plastic valve body may crack). Tighten until the armature plate makes contact with the plastic body. 4. Reconnect the wiring.
An individual operating station fails to turn on.	A failed coil for the valve or loose electrical connection to the terminal.	<p>Test the station to determine the cause.</p> <ol style="list-style-type: none"> 1. Disconnect the wires from the coil of an adjacent valve. Disconnect the wires from the problem valve and reconnect to the adjacent valve. 2. Turn on electrical and water supplies to the unit. Pass your hand in front of the sensor of the problem station, and the adjacent station should turn on. <p>If the adjacent station turns on and cycles normally, replace the coil on the problem valve.</p> <p>If the adjacent valve fails to turn on, inspect the wires from the sensor cable and do the following:</p> <ul style="list-style-type: none"> • make sure there are no breaks and that the fully insulated disconnect terminals are firmly crimped in place; • turn off the electrical and water supplies; • reconnect to the adjacent valve and turn on the water supplies to the unit; • pass your hand in front of the sensor. If the station still fails to turn on, replace the sensor.

Thermostatic Mixing Valve Troubleshooting

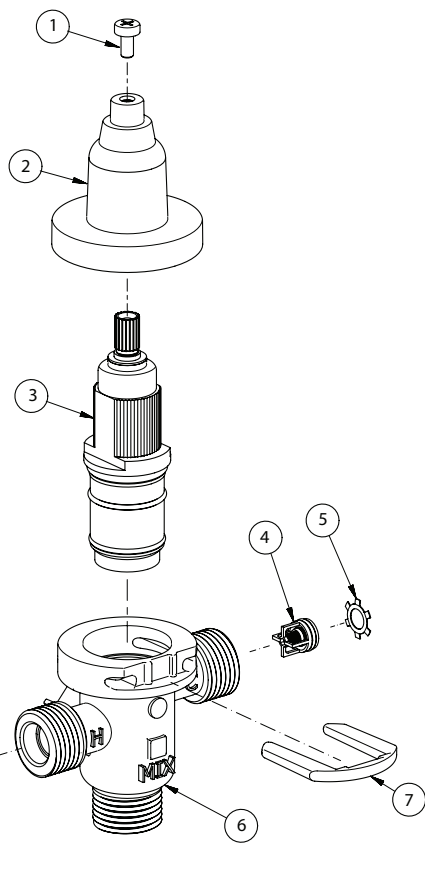
Before attempting to troubleshoot the valve or disassemble the components, check for the following conditions:

- If stop valves are used, make sure that they are fully open.
- Make sure that the hot and cold inlet pipes are connected properly, and that there are no cross-connections or leaking stop valves.
- Check the hot water heater output to make sure that it is at least 10° F above the set temperature.



Be sure to close the appropriate shut-off valves prior to disassembly of the valve and reopen the valves after inspection and repair is complete.

Problem	Cause	Solution
External leaks.	Damaged cartridge or O-rings.	Replace cartridge with part number 269-1927
Improper water temperature or temperature fluctuation.	Hot water supply is not 10° above desired set point.	Increase hot water supply temperature
	Valve temperature is not properly set.	Adjust the temperature as shown on page 12, step 7.
Limited water flow.	Dirt and debris have built up in the valve or strainer.	<ol style="list-style-type: none"> 1. Check to make sure both hot and cold supplies are connected to the Navigator mixing valve and that they have water flow. 2. Remove cover and U-clip. Remove the cartridge and clean the strainer. It is not required to grease cartridge, however if desired, use silicone grease only. Do not use grease on check valves.



Parts List

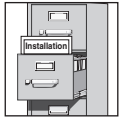
Item	Part No.	Description	Quantity
			S59-4000
1	160-463	Cap Screw	1
2	107-582	Cover	1
3	269-1927	Thermostatic Cartridge	1
4	198-014	Check Valve*	2
5	132-051	Retaining Ring*	2
6	118-319	Valve Body	1
7	146-079	U-Clip	1

* Included with Prepack S65-326

Tempered Line Adapter Option
Part no. S39-804
 (replaces S59-4000 if tempered line is used)

Strainer (173-028)

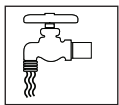
IMPORTANT !



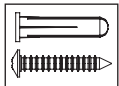
Lire ce manuel d'installation dans son intégralité pour garantir une installation appropriée. Une fois celle-ci terminée, classer ce manuel auprès du service à la clientèle ou d'entretien.



Séparer les pièces de l'emballage et veiller à bien avoir toutes les pièces avant de jeter le matériau d'emballage. Le cas échéant, ne pas commencer l'installation avant d'avoir obtenu les pièces manquantes.



Veiller à bien vidanger et fermer toutes les conduites d'eau avant de commencer l'installation. Tout débris dans les conduites d'alimentation risque de provoquer un mauvais fonctionnement des soupapes.



La quincaillerie fournie par l'installateur doit être appropriée pour la construction des murs. Les dispositifs d'ancrage muraux doivent avoir un indice d'arrachement minimum de 454 kg (1000 lbs).



La commande à infrarouge Adaptive doit être connectée avec un transformateur 24 V c.a. Classe II. Des connexions à du 110 V c.a. peuvent provoquer des blessures personnelles et endommager les composants électroniques.



Les garanties du produit figurent sous la rubrique « Produits » sur notre site Internet à www.bradleycorp.com.

Fournitures requises par l'installateur

- (4) tire-fond de 1/2", vis ou autres fixations pour ancrer le socle du lavabo fontaine
- Tube de cuivre de 1/2" nominal pour la tuyauterie d'alimentation d'eau chaude/froide ou tempérée
- Siphon en P standard
- conduites de vidange de 1-1/2" et raccords
- Ruban Téflon ou pâte lubrifiante
- Source d'alimentation GFI (interrupteur de défaut à la terre) de 110 V c.a. pour transformateur de 110/24 V c.a. UL Classe II fourni
- EN OPTION : Bradley recommande d'installer un coupe-circuit électrique sur l'unité. Cette fonction empêche toute distribution d'eau accidentelle durant l'entretien ou les réparations standard.

Informations sur la pré-installation

Matériau Terreon

Le lavabo fontaine est construit en Terreon, matériau de surface massif densifié composé de résine de polyester. Terreon résiste aux produits chimiques, aux taches, aux brûlures et à l'impact. Les dommages de surface peuvent être facilement réparés à l'aide de produits nettoyants ordinaires ou d'abrasifs à grains fins. Terreon est certifié NAHB pour être conforme aux normes ANSI Z124.3, Z124.6 et ANSI/ICPA SS-1-2001.

Infrarouge Adaptive

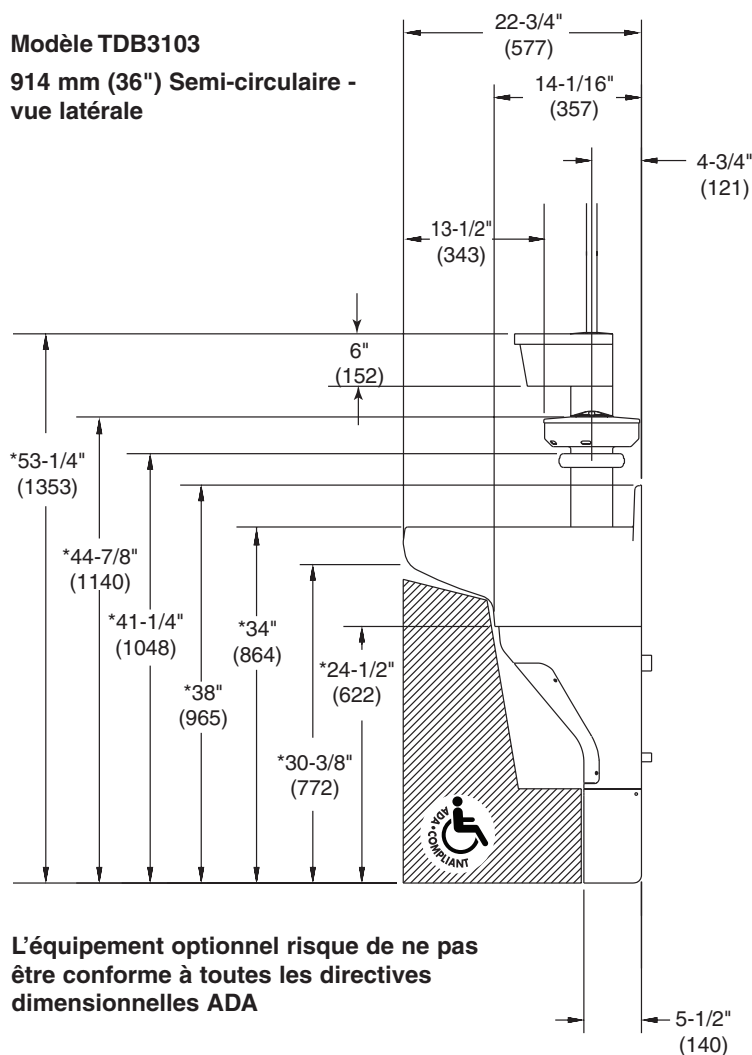
Le bec diffuseur est contrôlé par un robinet électromagnétique, permettant à l'utilisateur d'activer un débit d'eau. Le détecteur à infrarouge prendra quelques minutes à s'adapter à son environnement lorsque l'unité est mise sous tension.

Dimensions du lavabo fontaine semi-circulaire

(mm)

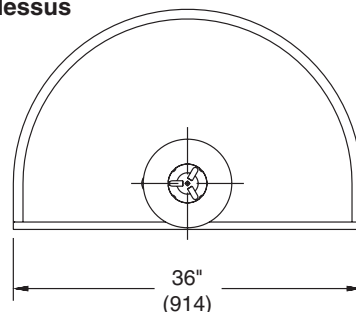
Modèle TDB3103

914 mm (36") Semi-circulaire -
vue latérale

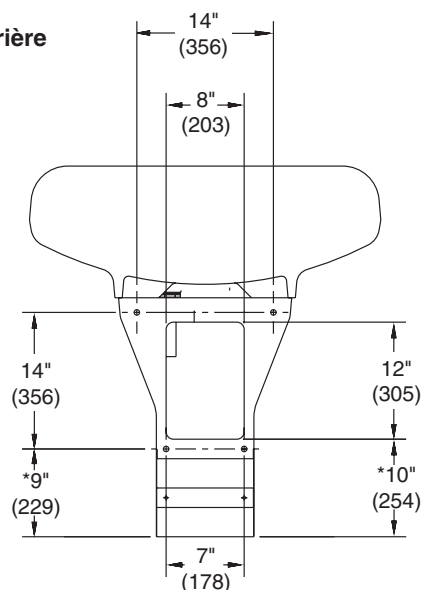


L'équipement optionnel risque de ne pas être conforme à toutes les directives dimensionnelles ADA

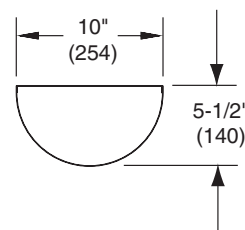
Vue de dessus



Vue arrière



Vue de dessous



*** Ajustements aux dimensions verticales pour diverses hauteurs de bord**

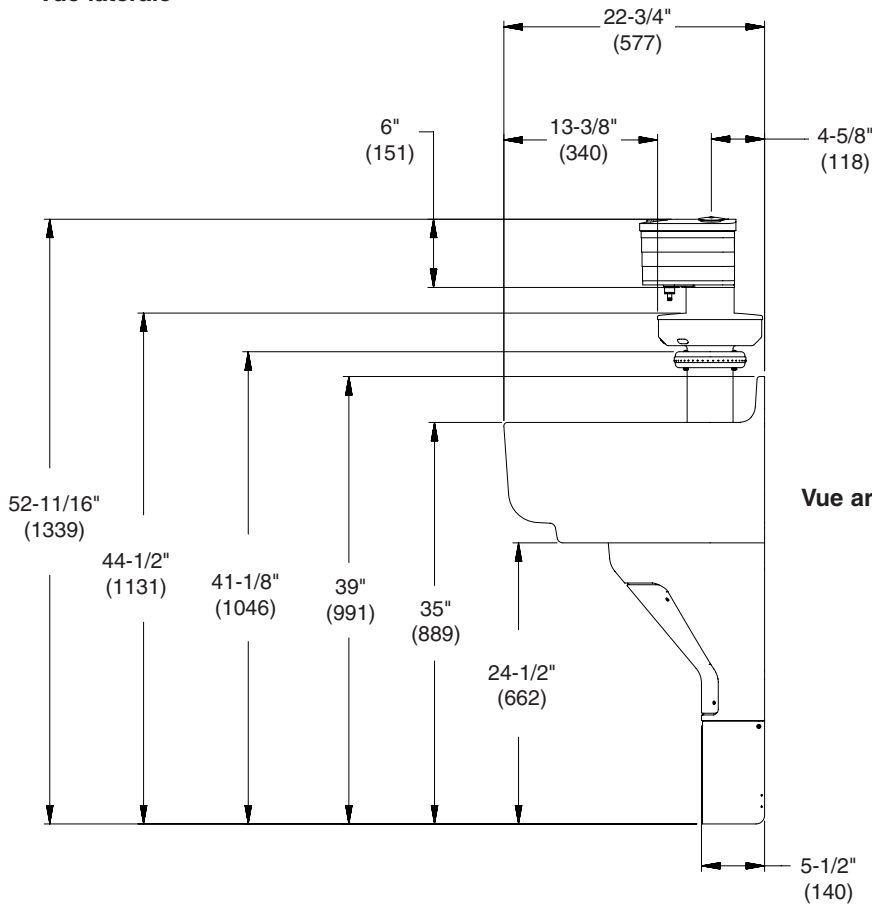
Hauteur de bord	Application	Ajustement
864 mm (34")	Hauteur adulte ADA, Hauteur adulte TAS	Néant, comme indiqué
813 mm (32")	TAS Âges 11 à 14 ou 15, Niveaux scolaires 6 à 8 ou 9	Soustraire 51 mm (2")
762 mm (30")	TAS Âges 4 à 10 ou 11, Niveaux scolaires 6 à 8 ou 9 et Hauteur engant proposée ADA	Soustraire 102 mm (4")

Dimensions du lavabo fontaine semi-circulaire

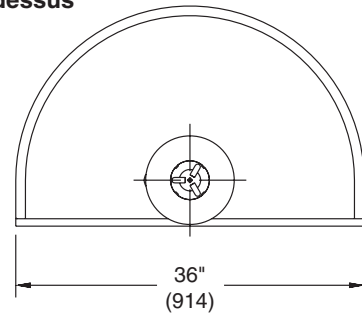
(mm)

Modèle WF3203

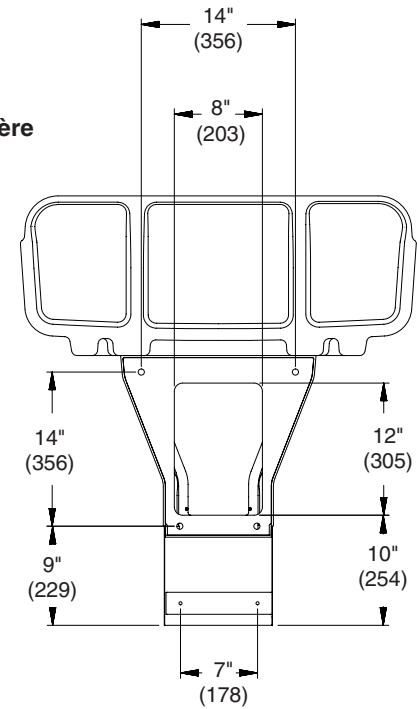
914 mm (36") Semi-circulaire
- vue latérale



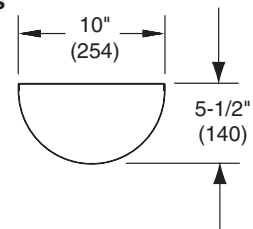
Vue de dessus



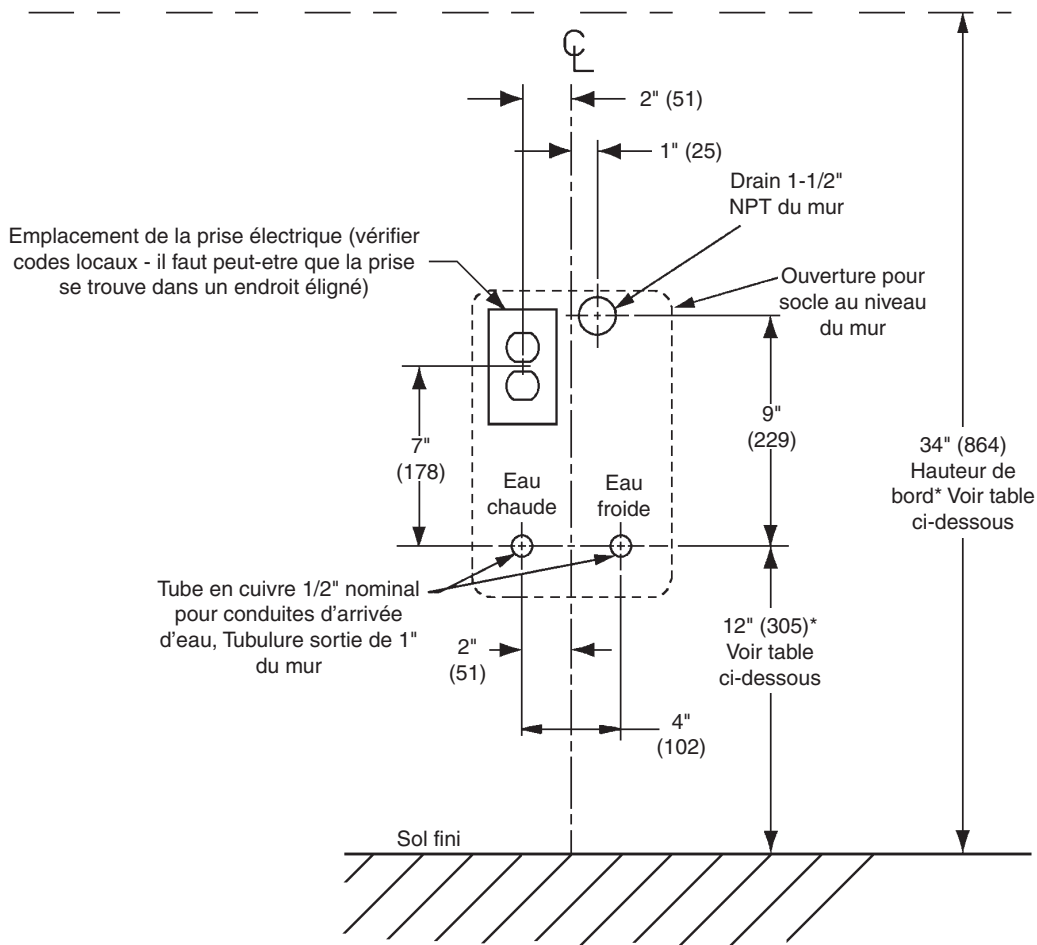
Vue arrière



Vue de dessous



Mises en place des tuyauteries du lavabo fontaine semi-circulaire (mm)



* Ajustements aux dimensions verticales pour diverses hauteurs de bord

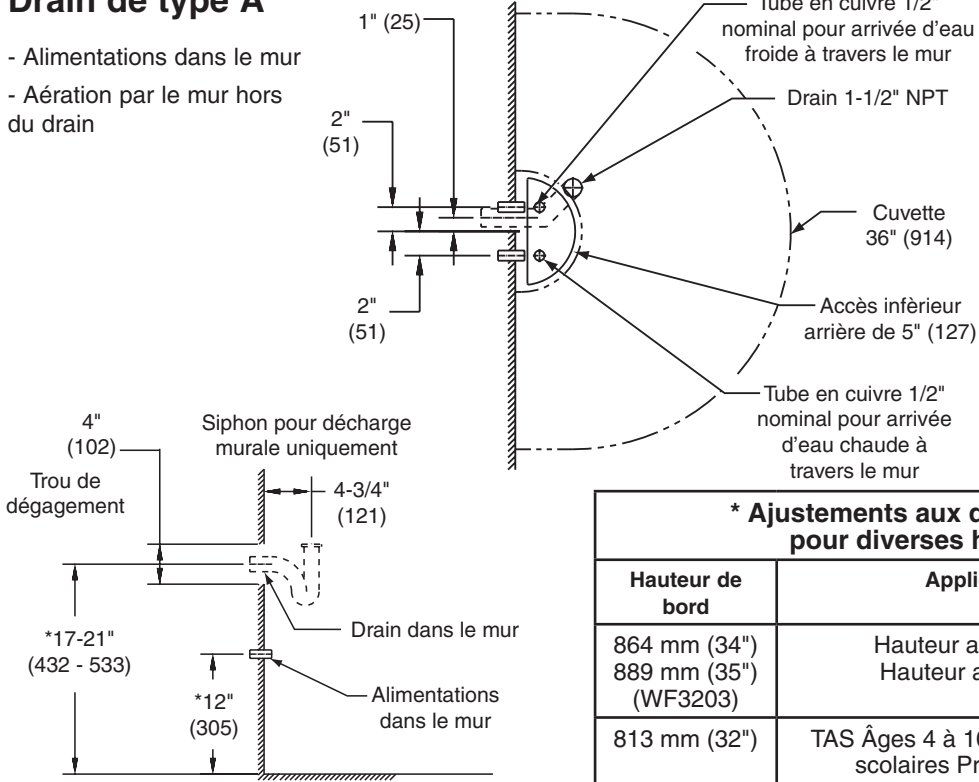
Hauteur de bord	Application	Ajustement
864 mm (34") 889mm (35") (WF3203)	Hauteur adulte ADA, Hauteur adulte TAS	Néant, comme indiqué
813 mm (32")	TAS Âges 11 à 14 ou 15, Niveaux scolaires 6 à 8 ou 9	Soustraire 51 mm (2")
762 mm (30")	TAS Âges 4 à 10 ou 11, Niveaux scolaires Pre-K à 5 ou 6 et Hauteur engant proposée ADA	Soustraire 102 mm (4")

Spécifications de mise en place des tuyauteries

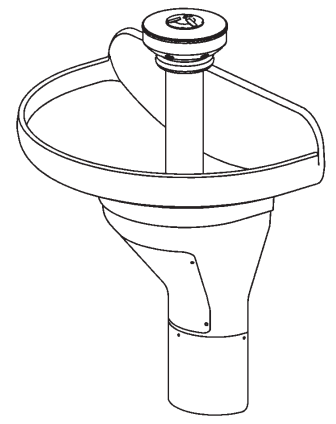
(mm)

Drain de type A

- Alimentations dans le mur
- Aération par le mur hors du drain



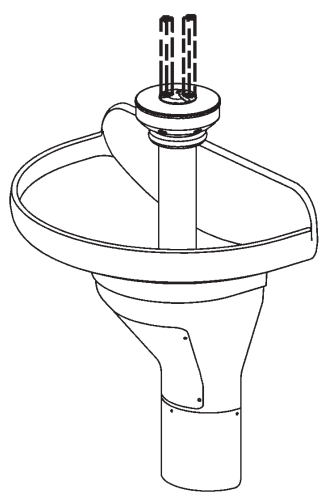
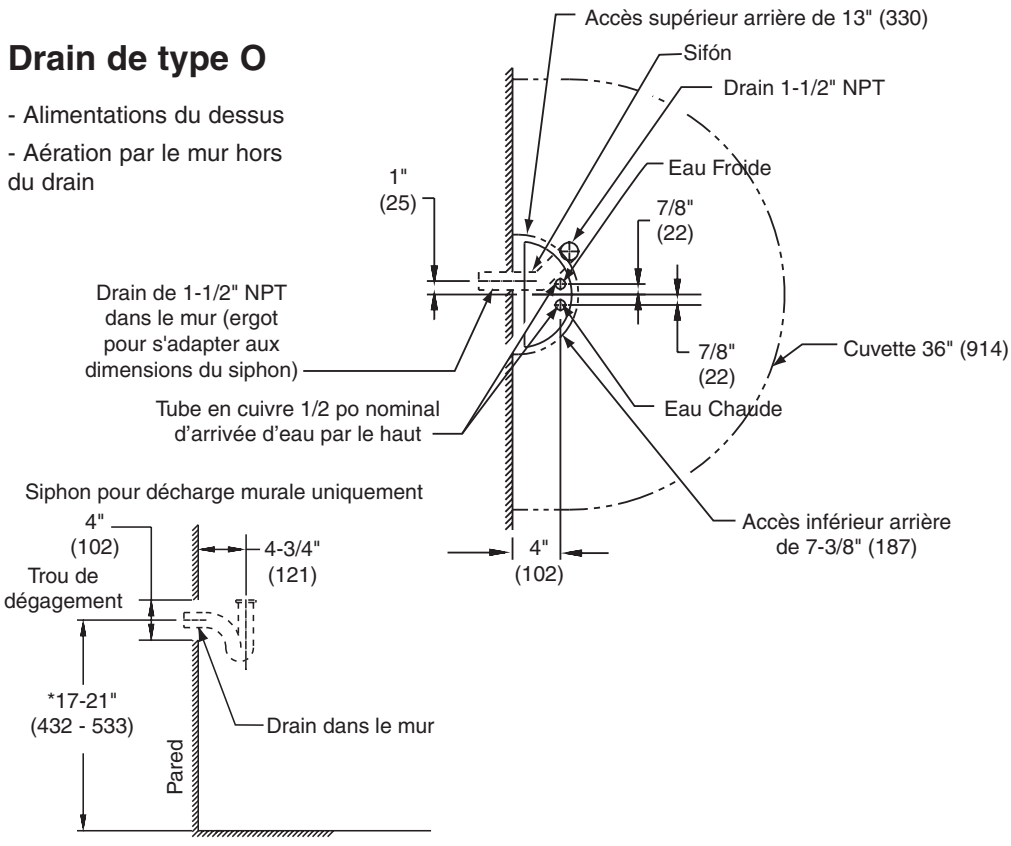
Siphon P de drain et fournitures par autrui.



* Ajustements aux dimensions verticales pour diverses hauteurs de bord		
Hauteur de bord	Application	Ajustement
864 mm (34") 889 mm (35") (WF3203)	Hauteur adulte ADA, Hauteur adulte TAS	Néant, comme indiqué
813 mm (32")	TAS Âges 4 à 10 ou 11, Niveaux scolaires Pre-K à 8 ou 9	Soustraire 51 mm (2")
762 mm (30")	TAS Âges 4 à 10 ou 11, Niveaux scolaires Pre-K à 5 ou 6 et Hauteur engant proposée ADA	Soustraire 102 mm (4")

Drain de type O

- Alimentations du dessus
- Aération par le mur hors du drain



1 Mise en place des tuyauteries de drain et d'alimentation

A Mettre en place des canalisations d'alimentation et de drain tel que requis pour l'installation.



Un emplacement pour brancher le transformateur 24 V c.a. est nécessaire. Consulter la figure pour en place des tuyauteries de sortie.

2 Montage de l'ensemble cuvette et socle

A Attacher la base du socle en acier inoxydable au socle à l'aide des vis et des rondelles de finition fournies.



Avant d'attacher les écrous à oreilles de 1/4" et les rondelles à la tige filetée, retirer les capuchons protecteurs rouges des tiges filetées. Jeter les capuchons de gaine après dépose.

B Positionner le socle à l'emplacement désiré et marquer la position des (4) emplacements de montage mural du socle.

C Fixer le socle au mur à l'aide de fixations adéquates, de dispositifs d'ancrage de 1/2" et de boulons de 1/2" (fournis par l'installateur).

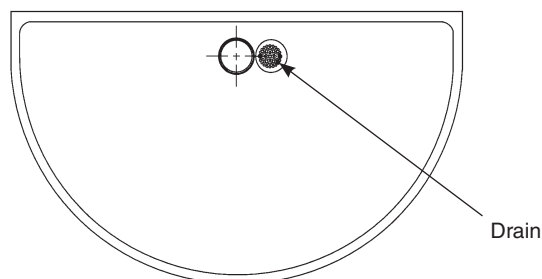
D À l'aide de deux personnes, soulever soigneusement la cuvette sur le socle.

E Positionner la cuvette de manière à ce que les tiges filetées de la cuvette correspondent aux trous allongés dans le socle.

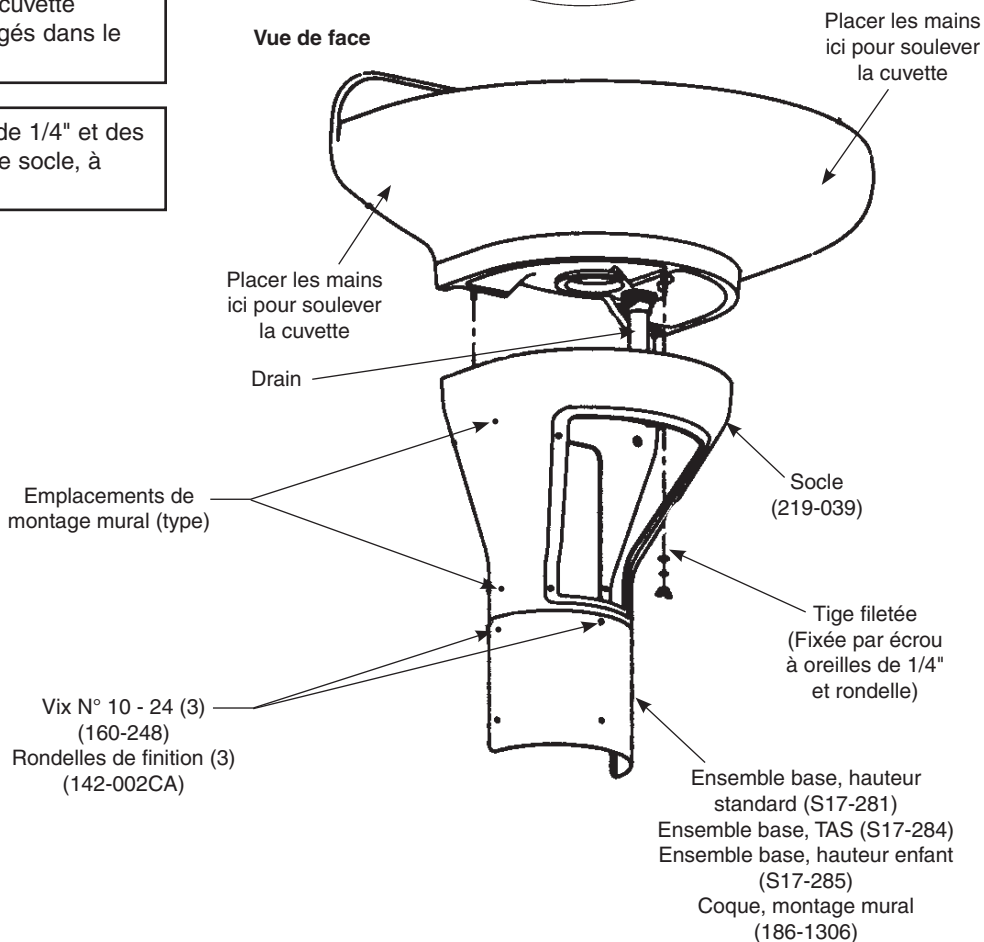
F À l'aide des écrous à oreilles de 1/4" et des rondelles, fixer la cuvette sur le socle, à trois endroits.

ATTENTION ! La surface de la cuvette est lisse. La cuvette pèse approximativement 34 kg (75 lbs). Manipuler avec soin !

Vue de dessus



Vue de face

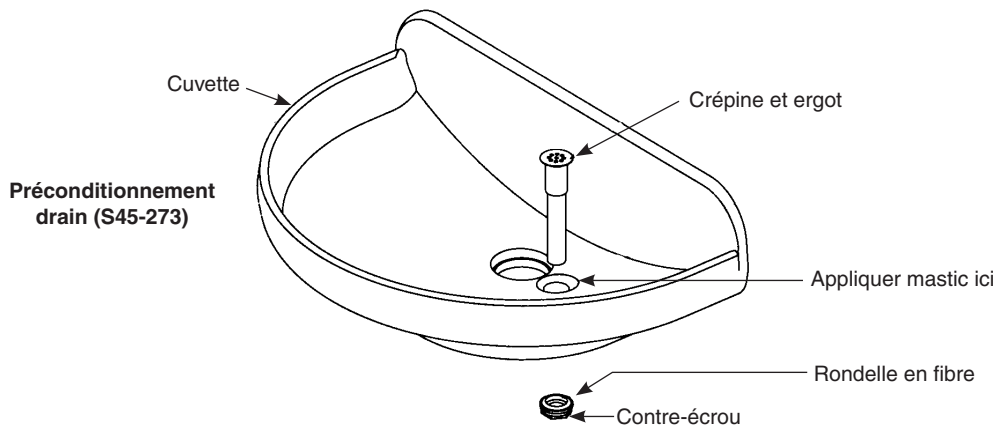


3 Installation de l'ergot de drain dans la cuvette

A Fixer l'ergot de drain à l'aide du contre-écrou et des rondelles.



Appliquer du mastic (fourni par l'installateur) entre l'ergot de drain et l'orifice de drain.



4 Raccorder les robinets d'arrêt d'alimentation, la tubulure d'alimentation et le siphon en P

A Poser les butées d'arrivée sur les tubulures de raccordement.



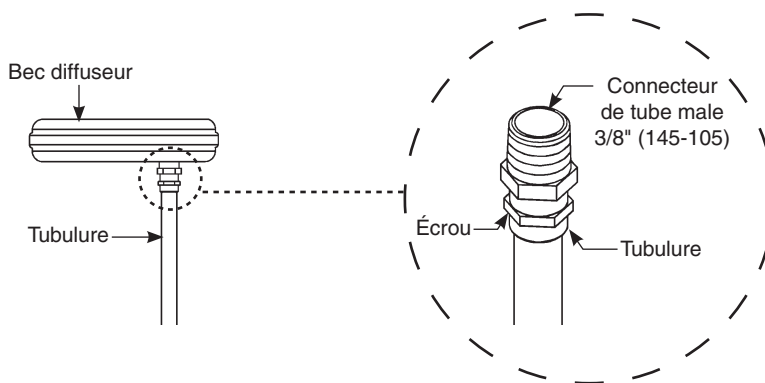
Rincer les conduites d'alimentation avec d'effectuer toute connexion. Ne pas utiliser de produit d'étanchéité sur les raccords de compression.

B À l'aide d'un couteau aiguisé, couper la tubulure d'équerre et éliminer toute ébarbure. Ne pas pincer ni écraser l'extrémité de la tubulure.

C Desserrer l'écrou sur le raccord. Humidifier l'extrémité du tube et le pousser dans le raccord jusqu'à ce qu'il soit fermement installé. Serrer l'écrou pour fixer le tube au raccord (s'assurer que le raccord est bien serré).

D Si le connecteur fuit, remonter la tubulure selon la procédure ci-dessus. Si la fuite persiste, remplacer le connecteur mâle ou contacter le représentant Bradley pour assistance.

E Connecter le siphon en P (fourni par l'installateur) à la pièce de raccordement et à la sortie du drain.



5 Installation du bec diffuseur, du module IR et du robinet mélangeur thermostatique

A Installer l'extrémité ourlée (non tranchante) du tube-support avec le joint dans la cuvette.

B Placer le bec diffuseur avec la tubulure de 3/8" sur le tube-support. Faire passer la tubulure dans le tube-support. S'assurer que les orifices de pulvérisation sont dirigés dans le sens opposé du mur.

C Placer le fer de liaison supérieur (cranté aux coins aux deux extrémités) sur le bec diffuseur parallèle au mur. Connecter les deux tringleries filetées ensemble à l'aide de l'écrou-raccord avec les vis calantes à tête hexagonale. Faire passer la tringlerie par le fer de liaison supérieur et fixer du dessous de la cuvette à l'aide du fer de liaison inférieur (sans crans) et de l'écrou hexagonal avec la vis calante à tête creuse. Un minimum de 2-1/4" de la tringlerie filetée doit faire saillie sous le fer de liaison inférieur ; ceci est nécessaire pour attacher la robinetterie.

D Placer l'ensemble du module à infrarouge sur le bec diffuseur. Faire tourner jusqu'à ce que le module à infrarouge se bloque avec le fer de liaison. Faire glisser deux fils du module à infrarouge dans l'ensemble du robinet. S'assurer que les fenêtres du module à infrarouge sont dirigées vers le devant de l'unité.

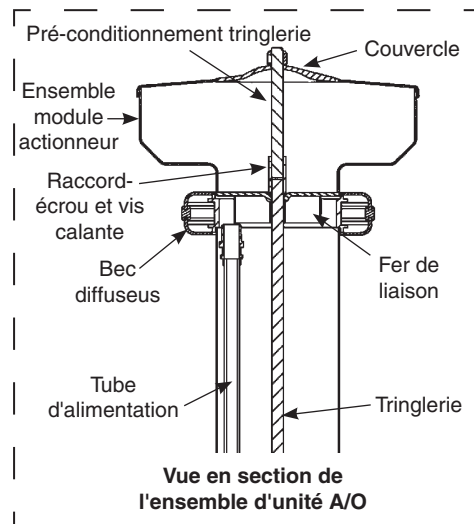
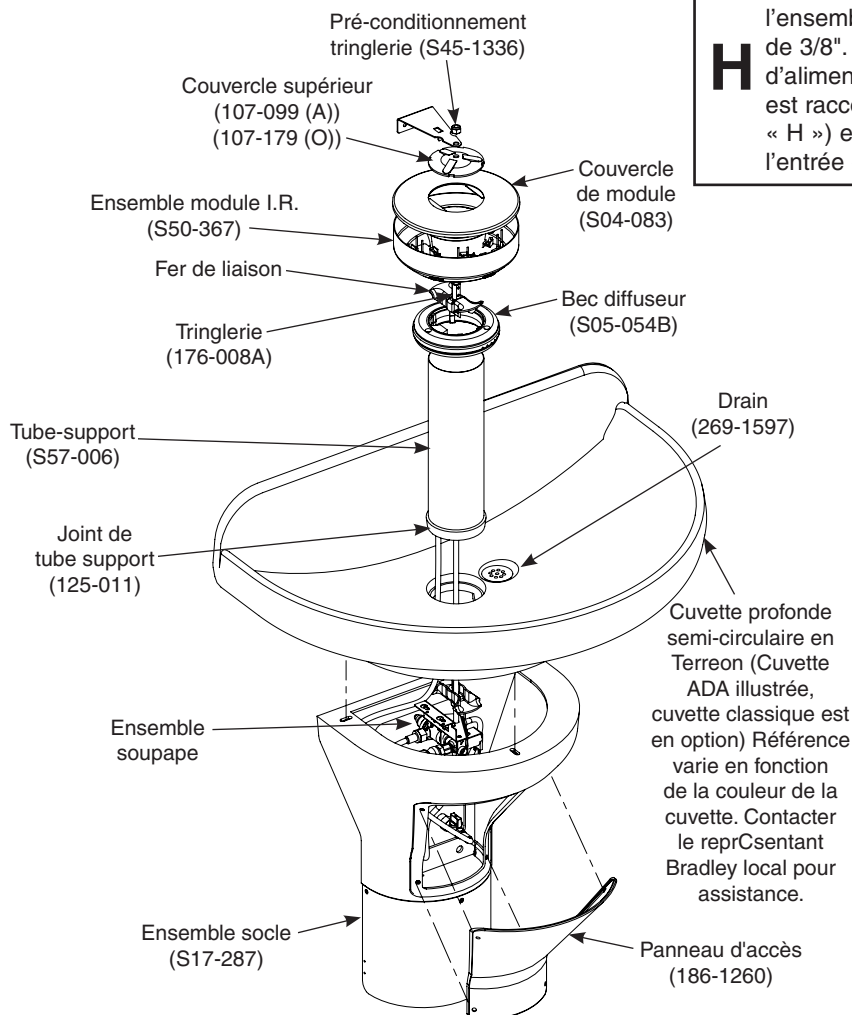
F Passer à l'étape F pour les unités sans savon.

E Pour les unités avec l'option savon, installer l'entretoise, le distributeur de savon et le couvercle à l'aide de l'écrou-raccord, du troisième fer de liaison (long de 8-5/8") et du second écrou-raccord. Fixer avec le support de retenue du bec diffuseur, l'écrou borgne et la vis à tête creuse.

F Fixer le couvercle du module à infrarouge et le couvercle supérieur à l'aide de l'écrou borgne et de la vis calante à tête creuse.

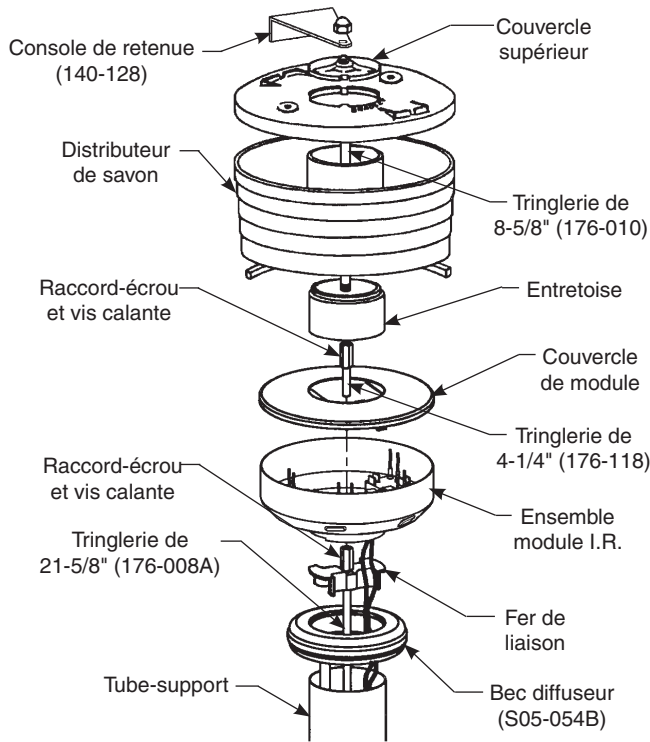
G Tout en maintenant l'ensemble de robinet à l'extérieur du socle, connecter la tubulure de 3/8" du bec diffuseur au connecteur de tube de l'ensemble de robinet. Raccorder les deux tuyaux flexibles à l'ensemble soupape.

H Fileter un écrou fourni de 3/8" sur la tringlerie. Faire glisser l'ensemble de robinet ensuite et fixer avec un autre écrou de 3/8". Raccorder les tuyaux flexibles aux robinets d'arrêt d'alimentation. S'assurer que l'alimentation d'eau chaude est raccordée à l'entrée d'eau chaude du robinet (marquée « H ») et que l'alimentation d'eau froide est raccordée à l'entrée d'eau froide du robinet (marquée « C »).

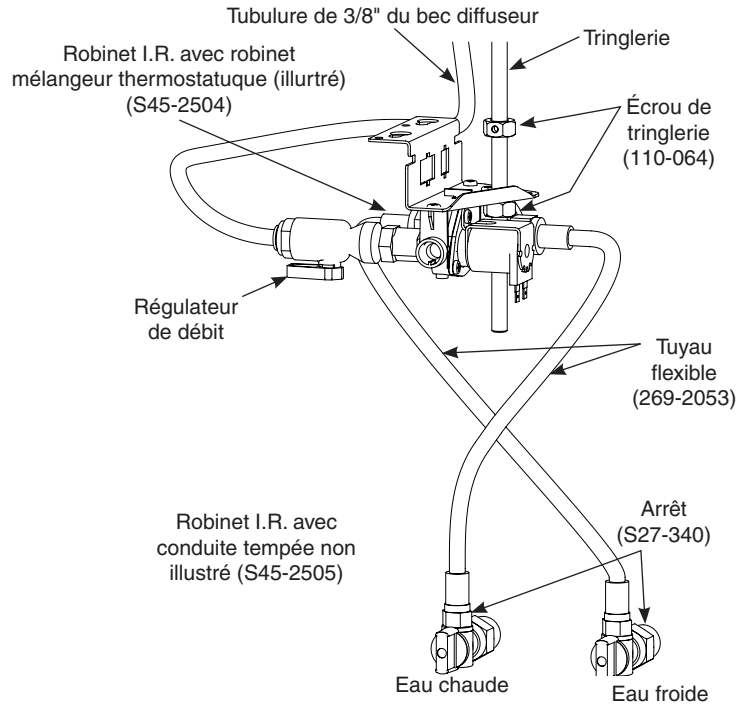


Unités A/O (A illustrée)

Unité avec drain « A » et module I.R. illustrée, également disponible avec drain « O »



Ensemble Soupape



Ne pas appliquer de produit d'étanchéité pour tuyaux sur les raccords de compression.

6 Connexions électriques pour infrarouge Adaptive



REMARQUE CONCERNANT LA MISE EN MARCHÉ : Ne pas utiliser pendant deux minutes après avoir effectué les connexions électriques. Il faudra huit minutes maximum pour que les détecteurs (sans être utilisés) s'adaptent à la cuvette si un autre objet est détecté durant la période de mise en marche de deux minutes.

A Attacher le fil de connexion femelle infrarouge du module infrarouge au solénoïde.

B Attacher le fil de connexion mâle infrarouge du module infrarouge au fil du transformateur.

C Attacher l'autre fil du transformateur au solénoïde.

D Connecter le transformateur de 24 V c.a. fourni à la source d'alimentation.

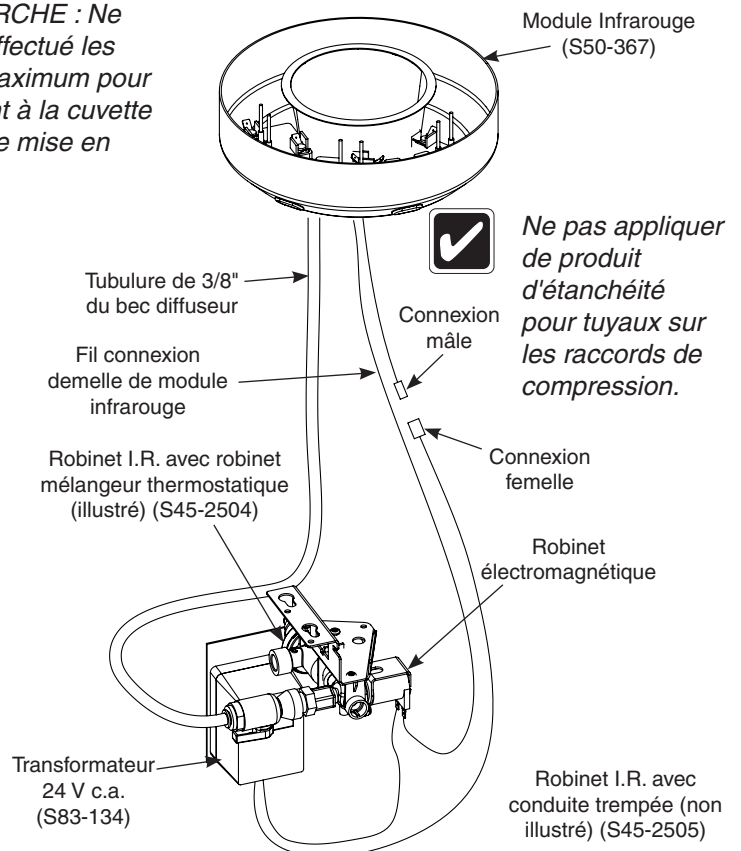
E Ouvrir les conduites d'alimentation. Ouvrir complètement la robinetterie arrêt.

F

G Passer la main devant chaque détecteur jusqu'à ce que l'air soit purgé des conduites.



Ne pas appliquer de produit d'étanchéité pour tuyaux sur les raccords de compression.



7 Faire couler l'eau pour régler la température



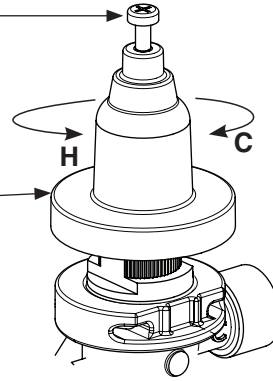
Cette vanne n'est PAS pré réglée à l'usine. Lors de l'installation, la température de cette vanne doit être contrôlée et ajustée pour s'assurer que l'eau est fournie à une température sans danger. Une eau à plus de 43 °C (110 °F) peut ébouillanter.

A Desserrer la vis à tête de 1/4" (6mm) environ (4 à 6 tours) et soulever le capuchon (ne pas l'enlever).

B À l'aide du capuchon, tourner lentement la cartouche jusqu'à obtenir la température d'eau souhaitée. Pour ne pas endommager l'appareil, ne pas tourner au-delà des butées. Renforcer le capuchon et serrer la vis.

C Nettoyer le bec diffuseur le cas échéant. Ajuster la soupape de régulation de débit pour contrôler le débit d'eau.

D Attacher le panneau d'accès au socle avec la quincaillerie fournie.



Instructions de nettoyage/d'entretien pour Terreon®

Description du matériau : Terreon est un matériau de surface massif densifié certifié NAHB composé de résine de polyester et résistant aux produits chimiques, aux taches, aux brûlures et à l'impact. Les dommages de surface peuvent être facilement réparés à l'aide de produits nettoyants ordinaires ou d'abrasifs à grains fins.

Nettoyage de routine : Nettoyer tous les jours ou aussi souvent que les conditions l'exigent à l'aide d'un nettoyant ménager ou commercial standard tel que Formula 409® ou Windex®.

Taches incrustées : Éliminer les taches incrustées avec Ajax®, Comet® ou Soft-Scrub® et un tampon vert Scotch-Brite® ou poncer légèrement d'un mouvement circulaire avec du papier de verre mouillé/sec 240 grains. Le fini peut être renouvelé avec un tampon bordeaux Scotch-Brite.

Situations spéciales de matériau

Rayures : Retirer les rayures avec un tampon vert Scotch-Brite®. Le fini peut être renouvelé avec un tampon bordeaux Scotch-Brite®.

Dépôts d'eau dure : Retirer les dépôts d'eau dure avec une solution douce d'eau et de vinaigre. Toujours rincer l'unité à fond après tout nettoyage.

Restauration de la surface : Utiliser le nettoyant pour surfaces massives Hope's® et polir pour rafraîchir et protéger le matériau de surface massive Terreon. Bradley recommande des soins et un entretien supplémentaires pour le Terreon de couleur plus foncée, pour des instructions complètes sur cet entretien additionnel, consulter le document Bradley n° 1505.

AVIS ! Ne pas utiliser de produits chimiques ou de nettoyants acides forts ou alcalins pour nettoyer le Terreon. Si ces produits chimiques entraînent en contact avec la surface en Terreon, les essuyer immédiatement et rincer à l'eau savonneuse. Éviter tout contact avec des produits chimiques durs tels que du décapant, de l'eau de javel, de l'acétone, etc. Éviter tout contact avec des casseroles et des objets chauds.

Kits de réparation : Des kits de réparation Terreon sont disponibles. Contacter le représentant ou le distributeur Bradley pour obtenir des références et des prix.



Les kits de réparation sont faits sur commande et ont une durée de validité de 30 jours.

Marques commerciales : L'utilisation de marques commerciales n'est destinée qu'à indiquer un type de nettoyant. Ceci ne constitue aucunement un témoignage publicitaire de même que toute omission d'un nettoyant d'une marque commerciale quelconque n'implique son inefficacité. De nombreux produits sont distribués par région et peuvent se trouver dans les supermarchés locaux, grands magasins et quincailleries, ou par le biais d'un service de nettoyage. Il est à souligner que tous les produits doivent être utilisés en stricte conformité avec les instructions figurant sur l'emballage.

Instructions pour le nettoyage/l'entretien de fibre de verre à enduit gélifié

Description du matériau : Les lavabos fontaines en Terreon mentionnés dans ce manuel d'installation utilisent un socle en fibre de verre à enduit gélifié.

Nettoyage de routine : Le socle à enduit gélifié doit être nettoyé tous les jours ou aussi souvent qu'il le faut avec une solution douce de détergent et d'eau. Utiliser toujours un chiffon doux pour éviter d'endommager le fini.

Kits de réparation : Il n'y a pas de kits de réparation disponibles pour les matériaux en fibre de verre. Toutefois, des pièces de rechange sont disponibles, contacter le représentant Bradley pour obtenir des prix et des références.

AVIS ! Ne pas exposer la fibre de verre à enduit gélifié aux solvants car ils endommageront le matériau et risquent de créer des vapeurs nocives.

Marques commerciales : L'utilisation de marques commerciales n'est destinée qu'à indiquer un type de nettoyant. Ceci ne constitue aucunement un témoignage publicitaire de même que toute omission d'un nettoyant d'une marque commerciale quelconque n'implique son inefficacité. De nombreux produits sont distribués par région et peuvent se trouver dans les supermarchés locaux, grands magasins et quincailleries, ou par le biais d'un service de nettoyage. Il est à souligner que tous les produits doivent être utilisés en stricte conformité avec les instructions figurant sur l'emballage.

Instructions concernant le nettoyage et l'entretien de l'acier inoxydable

Description du matériau : L'acier inoxydable est extrêmement durable, et son entretien est simple et peu onéreux. Il est essentiel de l'entretenir correctement, particulièrement dans des conditions corrosives. Toujours commencer par la solution la plus simple et continuer par une solution plus compliquée.

Nettoyage de routine : Une fois par jour, ou aussi souvent qu'il le faut, utiliser une solution d'eau chaude avec du savon, du détergent ou de l'ammoniac. Appliquer la solution de nettoyage conformément aux instructions du fabricant ; toujours utiliser un chiffon doux ou une éponge afin de ne pas endommager le fini.

Taches incrustées : Pour éliminer des taches de l'acier inoxydable, utiliser un produit nettoyant pour acier inoxydable ou un produit à polir tel que le nettoyant pour acier inoxydable Ball® ou un abrasif doux. Toujours suivre les instructions du fabricant et appliquer dans le même sens que les lignes du vernis.

AVIS ! Ne jamais utiliser de paille de fer ou de brosse de métal ordinaire sur de l'acier inoxydable. Toujours utiliser de la paille d'acier inoxydable ou des brosses pour acier inoxydable.

Situations spéciales de matériau

Empreintes et taches : Pour éliminer les empreintes ou taches, utiliser un nettoyant pour acier inoxydable de haute qualité et polir conformément aux instructions du fabricant. De nombreux produits de ce genre laissent un film protecteur empêchant toute tache ou empreinte future.

Graisse et huile : Pour éliminer la graisse ou l'huile, utiliser un détergent ou un nettoyant caustique commercial de qualité. Appliquer conformément aux instructions du fabricant et dans le sens des lignes du vernis.

Précautions : Éviter tout contact prolongé avec : chlorures (agents de blanchiment, sels), bromures (agents d'assainissement), thiocyanates (pesticides, produits chimiques pour photographie et certains aliments) et iodures sur l'équipement en acier inoxydable, notamment en présence de conditions acides.

AVIS ! Ne pas laisser les solutions salées s'évaporer et sécher sur de l'acier inoxydable.

L'aspect de traînées de rouille sur l'acier inoxydable donne à croire que l'acier inoxydable rouille. Rechercher la source réelle de la rouille dans ces particules de fer ou d'acier susceptibles d'être en contact avec la structure en acier inoxydable mais sans en faire réellement partie.

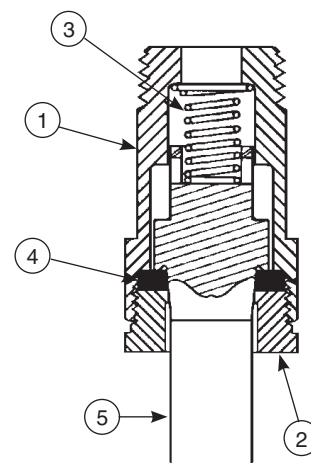
AVIS ! Des produits nettoyants fortement acides ou caustiques peuvent attaquer l'acier entraînant l'apparition d'un film rougeâtre. Éviter d'utiliser ces nettoyants.

Marques commerciales : L'utilisation de marques commerciales n'est destinée qu'à indiquer un type de nettoyant. Ceci ne constitue aucunement un témoignage publicitaire de même que toute omission d'un nettoyant d'une marque commerciale quelconque n'implique son inefficacité. De nombreux produits sont distribués par région et peuvent se trouver dans les supermarchés locaux, grands magasins et quincailleries, ou par le biais d'un service de nettoyage. Il est à souligner que tous les produits doivent être utilisés en stricte conformité avec les instructions figurant sur l'emballage.

Bouton-poussoir de savon — liquide — S09-007S

Nomenclature

Repère	Référence	Désignation	Pièces de fixation S09-007S	
			Qté	
1	118-025	Corps de bouton-poussoir	1	
2	110-007	Écrou de presse-garniture	1	
3	135-001L	Ressort	1	
4	125-001BU	Rondelle	1	
5	119-028	Piston	1	
*	161-014	Écrou	1	
*	124-001D	Rondelle	2	
*	142-002AH	Rondelle - Acier inoxydable	1	



* Non illustré

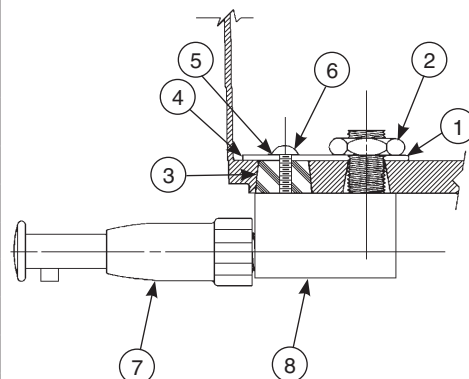
Ce bouton-poussoir distribue une quantité dosée de savon avec chaque mouvement ascendant. Le distributeur de savon est standard sur les lavabos fontaines depuis 1983 et ne convient pas bien aux lotions savonneuses très épaisses.

AVIS ! La lotion savonneuse colmatera les boutons-poussoirs de savon liquide. Utiliser uniquement des boutons-poussoirs de lotion savonneuse avec de la lotion savonneuse.

Bouton-poussoir de lotion — savonneuse — S09-057S

Nomenclature

Repère	Référence	Désignation	Ensemble de bouton-poussoir S09-057	
			Qté	Pièces de fixation S09-057S
1	124-001D	Rondelle	—	1
2	110-057	Écrou	—	1
3	125-001AN	Robinet d'arrêt	—	1
4	159-114	Plaque de renfort	—	1
5	124-001AT	Rondelle	—	1
6	160-176	Vis	—	1
7	S09-040	Bouton-poussoir	1	1
8	S53-045	Adaptateur	1	1



Bouton-poussoir de savon — en poudre — S09-010A

Nomenclature

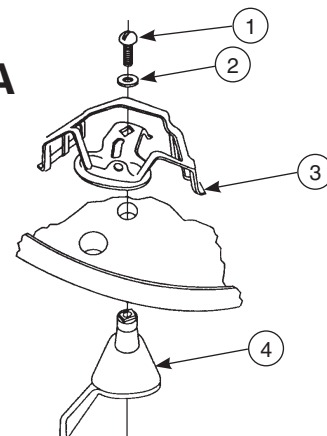
Repère	Référence	Qté	Désignation
1	160-069	1	Vis, 1/4-20 RD
2	142-002X	1	Rondelle, 1/4 Split-Lock
3	S62-002	1	Ensemble agitateur/coulisse
4	192-004	1	Levier - Savon en poudre



Des bouchons réducteurs sont disponibles pour utiliser avec du savon granulé fin pour diminuer le débit.



Pour changer les boutons-poussoirs de savon en poudre à savon liquide, boucher l'orifice le plus à l'intérieur ou « portant » avec le bouchon en caoutchouc, référence 125-001AK. Pour changer de savon liquide à savon en poudre, il faut enlever le bouchon. S'il n'y en a pas, il sera nécessaire de percer le trou portant avec une mèche de 1/2" ou 5/8". La configuration du conteneur en plastique forme un gabarit naturel pour repérer le trou portant.



Conseils d'entretien pour le savon

Recommandations de savon

Les distributeurs de savon de qualité nécessitent du savon de bonne qualité et un entretien périodique pour fonctionner correctement. Les distributeurs de savon Bradley fonctionnent de manière fiable et constante à long terme à condition d'utiliser un savon ayant une viscosité et des niveaux de pH raisonnables et d'effectuer un minimum d'entretien périodique sur les boutons-poussoirs.

L'épaisseur du savon est déterminée par une mesure appelée viscosité. La viscosité du savon doit se trouver entre 100 cps (centipoise) et 2 500 cps pour tous les distributeurs de savon Bradley. Les savons moins épais étant perçus par les utilisateurs comme étant « dilués », ces derniers ont généralement tendance à en utiliser plus qu'ils n'en ont besoin, et donc à faire du gaspillage. **Les savons épais s'écouleront plus lentement et bloqueront l'action de « rinçage » des boutons-poussoirs, ce qui permet au savon de se figer dans le bouton-poussoir et de provoquer des colmatages.**

Le niveau pH (acide) du savon doit se trouver dans la fourchette de 6,5 à 8,5. Les savons plus acides (niveaux pH inférieurs à 6,5) provoqueront la corrosion des pièces métalliques (même en acier inoxydable !!) et la détérioration des composants en caoutchouc et en plastique. Ce qui entraînera également une irritation cutanée. **Dans la plupart des cas, les savons bon marché (généralement du type de lotion rose) tombent dans cette catégorie acide et provoqueront éventuellement la défaillance du bouton-poussoir et la corrosion du métal.** Les savons de base (niveaux de pH supérieurs à 8,5) provoqueront un gonflement ou une dégradation des pièces en caoutchouc et en plastique, et une irritation cutanée.

Généralement, tout savon de qualité correspondant aux normes de viscosité et de pH ci-dessus fonctionnera bien avec les distributeurs de savon Bradley. Les savons antibactériens à base de PCMX ou d'Isapropanol (dans les limites de viscosité et de pH) fonctionneront également bien avec les distributeurs Bradley. Les savons répondant à ces normes fondamentales procureront un débit constant et réduiront la formation de colmatage.

Les problèmes de distributeurs de savon sont, pour la plupart, provoqués par du savon trop épais ou corrosif, ou par un manque d'entretien. De nombreux savons existent en forme concentrée qui doivent être dilués à l'eau. Souvent, le savon est mal dilué ou utilisé directement du flacon, ce qui provoquera un colmatage et une défaillance du bouton-poussoir. Si on utilise le savon approprié, les boutons-poussoirs qui n'ont jamais été nettoyés sont généralement la source des problèmes de distribution. Bradley a conclu un accord avec Champion Brand Products et ce, afin de fournir un service supplémentaire à la clientèle, concernant les questions de savons, pour les acheteurs de nos distributeurs. Cette société est particulièrement obligeante et peut résoudre quasiment tous les problèmes liés au distributeur de savon. Elle vend également un excellent savon « homologué Bradley ». Se reporter à la **Fiche d'instructions relatives au savon 215-1286** pour tout détail sur le nettoyage du bouton-poussoir de savon ou sur la façon de contacter Champion. Grâce à un bon entretien et un savon adéquat, les distributeurs Bradley fonctionneront longtemps et sans problème.

Instructions relatives à l'entretien du distributeur de savon

Les distributeurs de savon Bradley fonctionnent de manière fiable et constante à long terme à condition d'utiliser le savon adéquat et d'effectuer un minimum d'entretien périodique sur les boutons-poussoirs. Entretien (nettoyer) les boutons-poussoirs pour un fonctionnement adéquat.

Pour assurer un fonctionnement adéquat du distributeur de savon, suivre ces instructions :

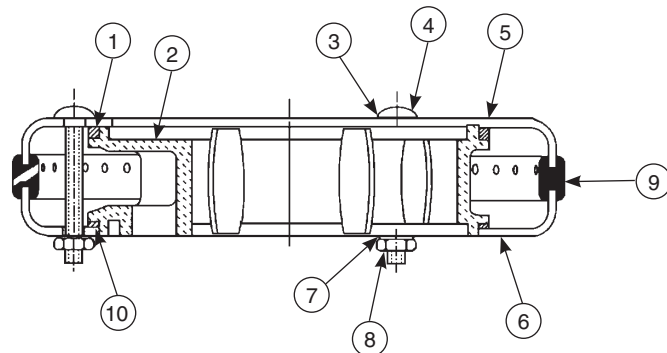
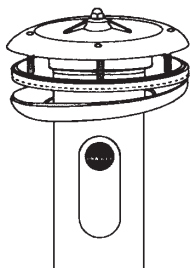
- Une fois par mois, dévisser le bouton-poussoir du réservoir et le faire tremper dans de l'eau chaude pendant 30 minutes.
- Appuyer sur le bouton-poussoir au moins 20 fois pendant qu'il trempe.
- Rincer le réservoir de savon à l'eau chaude pendant que le bouton-poussoir trempe.

En cas de colmatage extrême, démonter le bouton-poussoir et faire tremper les pièces dans de l'eau chaude ou une solution de nettoyage pour restaurer un fonctionnement adéquat. Les distributeurs de savon qui ne seront pas utilisés pendant des périodes prolongées (écoles durant les vacances d'été, etc.) doivent être vidés, nettoyés et laissés vides jusqu'à leur remise en service. Tout savon laissé sur l'extérieur des distributeurs peut entraîner une décoloration et une corrosion du réservoir (même sur des unités en acier inoxydable). Tout savon doit être essuyé ou frotté tous les jours et l'extérieur du distributeur doit être rincé à l'eau claire et essuyé avec un chiffon doux.

Becs diffuseurs — standard avec anneau de pulvérisation en néoprène



Le kit de réparation n'inclut pas l'anneau du bec diffuseur. Commander en article séparé.



Nomenclature

Repère	Référence	Désignation	Ensemble bec diffuseur S05-054B	Kit de réparation S45-051
			Qté	
1	125-001DE	Rondelle en Néoprène - Haut	1	1
2	139-031	Collecteur de bec diffuseur	1	—
3	124-001AL	Rondelle	3	4
4	160-211	Boulon mécanique	3	4
5	115-061	Haut de bec diffuseur	1	—
6	116-008	Bas de bec diffuseur	1	—
7	124-001AT	Rondelle	3	4
8	161-025	Écrou	3	4
9	124-020D	Anneau de bec diffuseur - Semi-circulaire	1	—
10	125-001DF	Rondelle en Néoprène - Bas	1	1

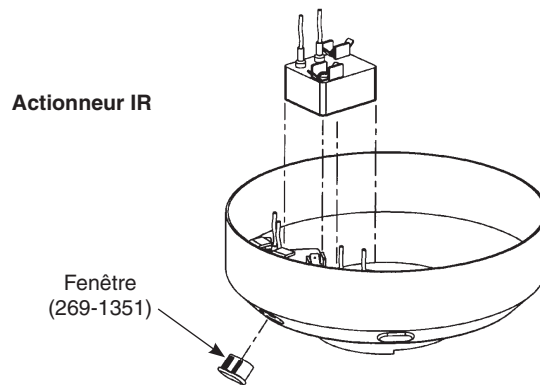
Suggestions pour réparer le bec diffuseur

Problème	Cause	Solution
L'eau éclabousse tout autour du bord de la cuvette.	Des corps étrangers ont réduit la taille des fentes du bec diffuseur, entraînant ainsi une plus grande pression au niveau des fentes ouvertes.	Nettoyer le bec diffuseur 1. Démontez le bec diffuseur et délogez toute saleté, tout dépôt de calcaire et tout corps étranger à l'aide d'une brosse métallique. 2. Pour nettoyer les becs diffuseurs munis d'anneaux pulvérisateurs en caoutchouc, frotter une pièce de monnaie sur l'anneau. 3. Réduire la régulation de débit (le jet d'eau doit frapper la cuvette sans éclabousser à l'extérieur de la cuvette).
L'écoulement d'eau diminue à partir du bec diffuseur.	La portion crépine de la robinetterie d'arrêt-crépine-non-retour est colmatée.	Retirer et nettoyer le tamis de la crépine de la robinetterie arrêt-crépine-non-retour.



Le bec diffuseur illustré ci-dessous inclut un anneau de pulvérisation en néoprène perforé autonettoyant. La pression d'eau assouplit les orifices de pulvérisation, ce qui ralentit l'accumulation de corps étrangers et à tendance à « décoller » lesdits dépôts qui ont pu s'accumuler.

Composants de l'ensemble de module I.R. (S50-367)



Dépannage IR Adaptive

Il y a un voyant DEL de diagnostic incorporé dans le petit boîtier noir abritant les circuits du détecteur. En dessous se trouve une liste des significations des signaux de la DEL. Utiliser cette liste pour dépanner le détecteur.

Problem	Cause	Solution
DEL non allumée	Aucune alimentation n'arrive au détecteur.	Vérifier l'alimentation au niveau de la prise murale de 110 V c.a. et des fils provenant du transformateur 24 V c.a. S'il y a une alimentation de 110 V c.a. au niveau de la prise murale mais pas d'alimentation du transformateur, le contact des fils du transformateur en étant branché ou une saute de puissance risque d'avoir grillé le transformateur. Ajouter une protection de surtension au niveau de la prise si on soupçonne une saute de puissance et remplacer le transformateur. Si l'alimentation 24 V c.a. est fournie du transformateur, vérifier qu'il n'existe pas de connexions de fils desserrées et vérifier les connexions en les comparant au schéma de câblage
Clignotement rapide	Le détecteur détecte quelque chose dans son champ de vision et l'eau devrait être allumée (alimentation envoyée au solénoïde).	<p>Si le détecteur clignote rapidement, l'eau est allumée et il n'y a rien dans la zone de détection, déconnecter l'alimentation pendant au moins 30 secondes. Ceci permettra au détecteur de libérer sa mémoire et d'être réinitialisé. Reconnecter l'alimentation et attendre 2 minutes complètes pour permettre au détecteur de réapprendre l'environnement avant d'essayer d'activer. Le détecteur peut prendre jusqu'à 8 minutes pour rajuster s'il est activé pendant ces 2 minutes.</p> <p>Si la condition persiste, s'assurer que les DEL aux extrémités des câbles du détecteur sont complètement enfoncées dans les arrières de verres.</p> <p>Si le détecteur clignote rapidement et que l'eau n'est pas allumée, consulter le guide de dépannage pour le solénoïde.</p>
Clignotement lent	Le détecteur détecte quelque chose dans son champ de vision et l'eau est coupée (alimentation non envoyée au solénoïde).	Le détecteur a détecté un objet stationnaire dans son champ de vision pendant plus de 30 secondes et a coupé toute alimentation au robinet électromagnétique. Retirer l'objet, s'il se trouve toujours dans la cuvette, et réinitialiser le capteur conformément aux instructions ci dessus.
Clignotement SOS (3 courts, 3 longs, 3 courts)	Le détecteur a détecté une condition de surcharge et s'est arrêté pour protéger ses circuits.	Vérifier les connexions en les comparant au schéma de câblage. Cette condition signifie en général que le robinet électromagnétique n'est pas câblé correctement. Après avoir corrigé toute erreur de câblage réinitialiser le capteur conformément aux instructions ci dessus.

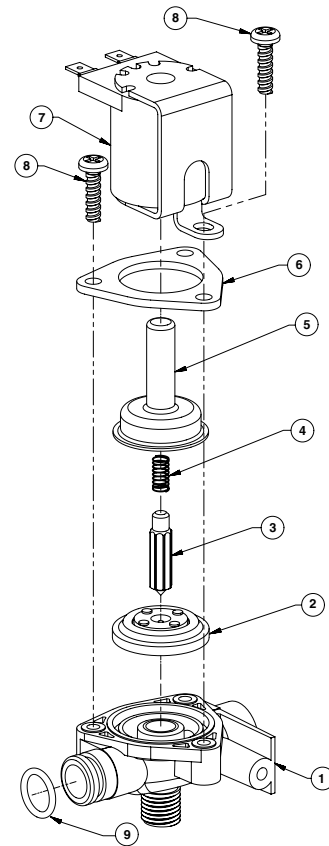
Pour toute autre assistance, appeler le représentant Bradley local. Appeler le 1-800-Bradley pour obtenir le nom et le numéro de téléphone du représentant Bradley local.

Bouton-poussoir électromagnétique S07-069 (corps fermé)



Couper l'alimentation en eau à l'unité avant d'effectuer toute réparation.

Repère	Qté.	Référence	Désignation
1	1	118-307	Corps de robinet, 5/16" fermé
2	1	269-983	Membrane
3	1	269-577	Armature
4	1	269-578	Ressort
5	1	269-1729	Boitier armature
6	1	269-1730	Bride, boitier armature
7	1	269-1797	Bobine, robinet électromagnétique
8	3	160-447	Vis, N° 8 x 5/8
9	1	125-165	Joint torique, N° 2-013



Problème	Cause	Solution
Une station opérationnelle individuelle ne se ferme pas et goutte.	Il y a des débris piégés entre la membrane et le siège du bouton-poussoir.	Retirer les débris entre la membrane et le siège du bouton-poussoir. <ol style="list-style-type: none"> Retirer les trois vis cruciformes n° 8 qui maintiennent l'assemblage de bouton-poussoir électromagnétique ensemble. Faire attention de ne pas perdre l'armature ou le ressort. Retirer la membrane. Retirer toute particule qui aura pu être piégée entre la membrane et le siège du bouton-poussoir. Rincer la membrane et inspecter tout dommage éventuel. S'assurer que l'orifice central et que les deux petits orifices latéraux sont ouverts. Remonter dans l'ordre inverse (ne pas trop serrer les vis à tête cruciforme et ce, afin de ne pas fissurer le corps de soupape en plastique). Serrer jusqu'à ce que la plaque d'armature soit en contact avec le corps en plastique. Reconnecter le câblage.
Une station opérationnelle individuelle ne se met pas en marche.	Une bobine défectueuse pour le bouton-poussoir ou une connexion électrique desserrée à la borne.	Tester la station pour déterminer la cause. <ol style="list-style-type: none"> Déconnecter les fils de la bobine d'un bouton-poussoir adjacent. Déconnecter les fils du bouton-poussoir problématique et reconnecter au bouton-poussoir adjacent. Mettre en marche les alimentations en électricité et en eau à l'unité. Passer la main devant le détecteur de la station problématique et la station adjacente devrait se mettre en marche. Si la station adjacente se met en marche et cycle normalement, remplacer la bobine sur le bouton-poussoir problématique. <p>Si le bouton-poussoir adjacent ne se met pas en marche, inspecter les fils venant du câble de détecteur et procéder comme suit :</p> <ul style="list-style-type: none"> s'assurer qu'il n'y a pas de cassures et que les bornes de déconnexion complètement isolées sont fermement serties en place ; couper les alimentations en électricité et en eau ; reconnecter au bouton-poussoir adjacent et ouvrir l'alimentation en eau à l'unité ; passer la main devant le détecteur. Si la station ne se met toujours pas en marche, remplacer le détecteur.

Dépannage du robinet mitigeur thermostatique

Avant d'essayer de dépanner le robinet mitigeur ou de le démonter, vérifier ce qui suit :

- Si des robinets d'arrêt sont utilisés, s'assurer qu'ils sont complètement ouverts.
- Vérifier que les tuyaux d'arrivée d'eau chaude et froide sont correctement raccordés, qu'ils ne sont pas croisés et que les robinets d'arrêt ne fuient pas.
- Vérifier que la sortie du chauffe-eau est à au moins 5,5 °C (10 °F) au-dessus de la température de réglage.



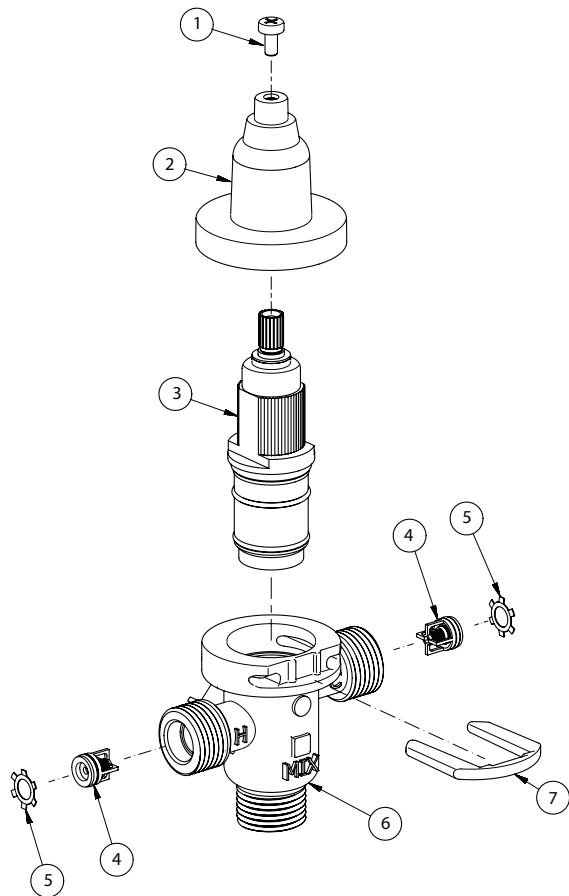
Veiller à fermer les robinets d'arrêt appropriés avant de démonter le mitigeur et à rouvrir les robinets une fois que le contrôle et les réparations sont terminés.

Problème	Cause	Solution
Fuites externes.	Cartouche ou joints toriques endommagés.	Remplacer la cartouche par la pièce réf. 269-1927.
Température de l'eau inadaptée ou fluctuations de température.	L'arrivée d'eau chaude n'est pas à 5,5 °C (10 °F) au-dessus du réglage souhaité.	Augmenter la température de l'arrivée d'eau chaude.
	Température du mitigeur mal réglée.	Régler la température comme indiqué à la page 31, étape 7.
Débit d'eau limité.	De la saleté et des débris se sont accumulés dans le mitigeur ou le filtre à tamis.	<ol style="list-style-type: none"> 1. Vérifier que les arrivées d'eau chaude et froide sont toutes deux raccordées au mitigeur et que de l'eau y circule. 2. Retirer le couvercle et clip en U. Retirer la cartouche et nettoyer le filtre à tamis. Il n'est pas requis de graisser la cartouche toutefois, si cela est souhaité, utiliser exclusivement de la graisse de silicone. Ne pas utiliser de graisse sur les clapets anti-retour.

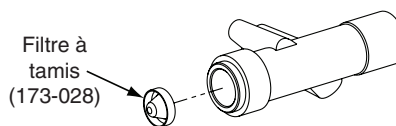
Nomenclature

Repère	Réf. pièce	Description	Quantité
			S59-4000
1	160-463	Vis à tête	1
2	107-582	Couvercle	1
3	269-1927	Cartouche thermostatique	1
4	198-014	Clapet anti-retour*	2
5	132-051	Bague de retenue*	2
6	118-319	Corps de robinet	1
7	146-079	Clip en U	1

*Inclus dans la trousse S65-326



Adaptateur de conduite tempérée en option (réf. S39-804)
 (remplace S59-4000 si une conduite tempérée est utilisées)



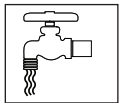
¡IMPORTANTE!



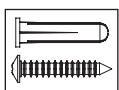
Lea todo este manual para garantizar su instalación adecuada. Cuando haya terminado la instalación, preséntelo al dueño o al Departamento de Mantenimiento.



Separe las piezas del empaque y asegúrese de que no falte ninguna antes de desechar el material del empaque. Si falta alguna pieza, no comience con la instalación hasta que obtenga las faltantes.



Asegúrese de que todas las tuberías de suministro de agua hayan sido lavadas y cerradas completamente antes de comenzar la instalación. Los desechos en las tuberías de suministro pueden causar averías en las válvulas.



Las piezas metálicas proporcionadas por el instalador deben ser adecuadas para la construcción en la pared. Las sujeciones de pared usadas deben tener una capacidad mínima de extracción de 454 kg (1.000 libras).



El control infrarrojo Adaptive® debe conectarse con un transformador clase II de 24 V CA. Las conexiones a 110 V CA pueden causar lesiones personales y producirán daños a los componentes electrónicos.



Se pueden encontrar garantías de los productos en Products (Productos) en nuestro sitio Web en www.bradleycorp.com.

Suministros requeridos por el instalador

- (4) tirafondos, tornillos y otros sujetadores de 1/2" para sujetar el pedestal de la fuente de lavado
- Tubería de cobre nominal para agua caliente/fría de 1/2"
- Sifón estándar tipo P
- Tuberías y accesorios de desagüe de 1-1/2"
- Cinta de teflón o aditivo para tuberías
- Se suministra fuente de energía de 110 V CA GFI para transformador clase II de 110/24 V CA UL
- OPCIONAL: Bradley recomienda la instalación de un conmutador de corte en la unidad. Esta característica permite que no haya descarga accidental de agua durante el mantenimiento y reparación regulares.

Información previa a la instalación

Material Terreon

La fuente de lavado está construida de Terreon, un material de superficie sólida densificada compuesto de resina poliéster. Terreon es resistente a los productos químicos, las manchas, las quemaduras y los golpes. Los daños a las superficies se pueden reparar fácilmente con productos de limpieza de uso diario o abrasivos de polvo fino. Terreon está certificado por NAHB para cumplir las normas ANSI Z124.3, Z124.6 y ANSI/ICPA SS-1-2001.

Dispositivo infrarrojo Adaptive

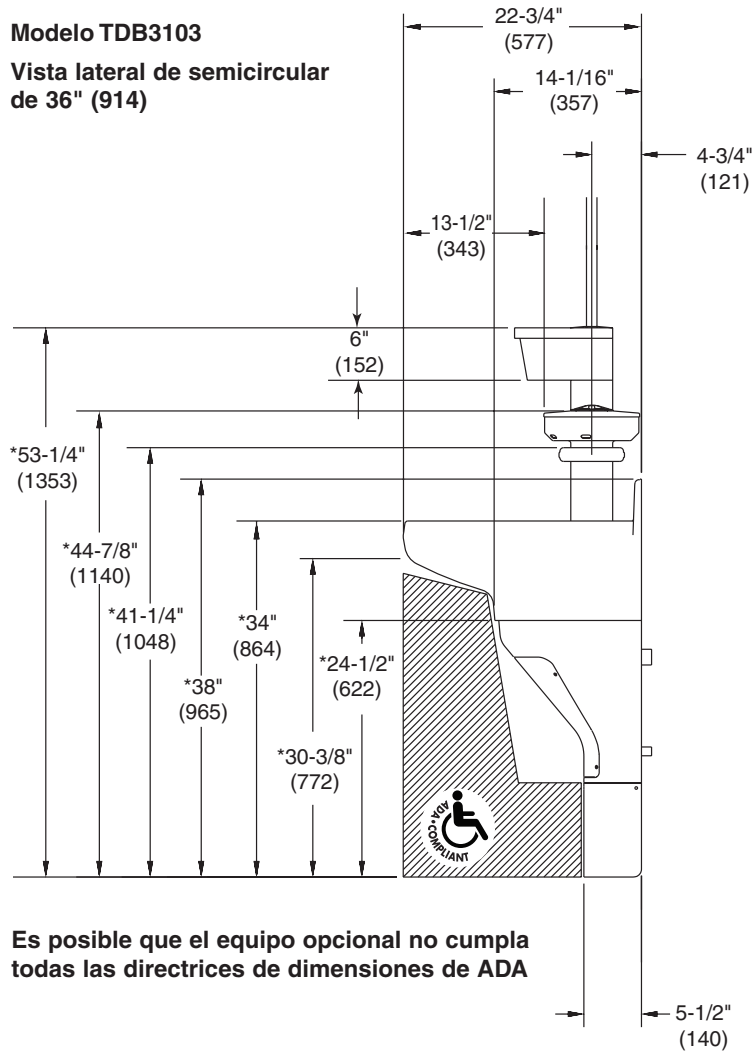
La boquilla rociadora se controla mediante una válvula de solenoide, permitiendo al usuario activar un flujo de agua. El sensor infrarrojo se demorará algunos minutos en adaptarse a su ambiente cuando se enciende la unidad.

Dimensiones de fuentes de lavado semicirculares

(mm)

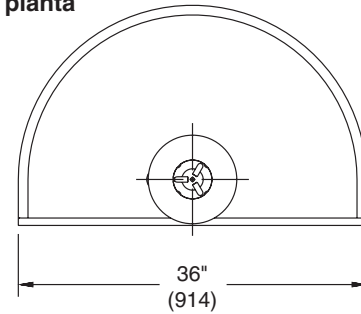
Modelo TDB3103

Vista lateral de semicircular de 36" (914)

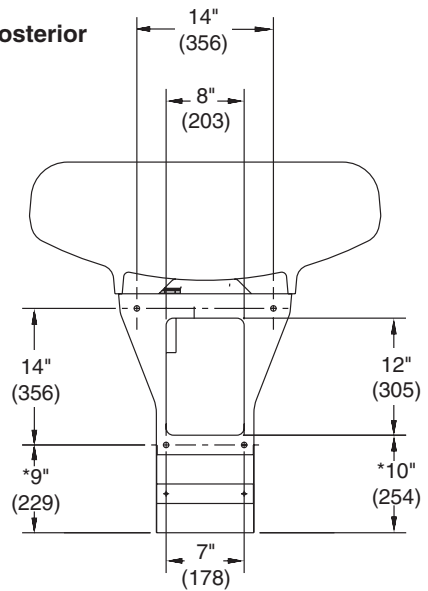


Es posible que el equipo opcional no cumpla todas las directrices de dimensiones de ADA

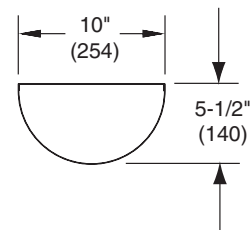
Vista en planta



Vista posterior



Vista de abajo arriba



***Ajustes a las dimensiones verticales para varias alturas de borde**

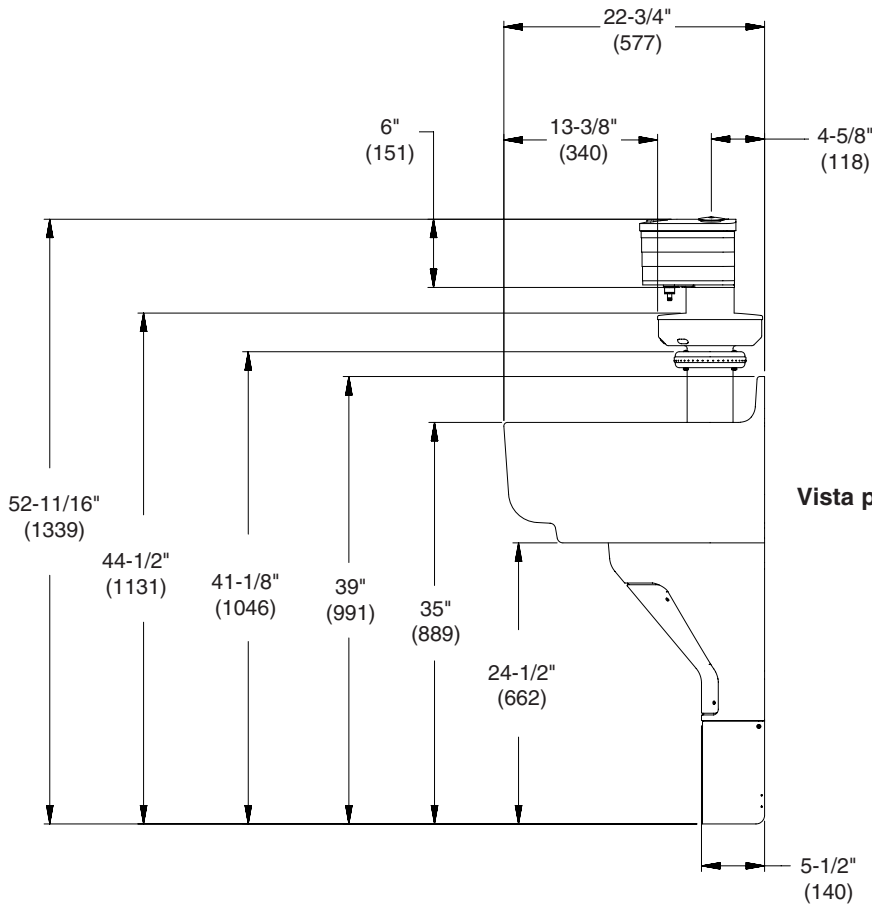
Altura del borde	Aplicación	Ajuste
864 mm (34")	Altura para adultos según ADA, Altura para adultos según TAS	Ninguno, como se muestra
813 mm (32")	Edades 11 a 14 ó 15 según TAS, Grados 6 a 8 ó 9	Reste 51 mm (2")
762 mm (30")	Edades de 4 a 10 u 11 según TAS, Grados 6 a 8 ó 9 y Altura para niños propuesta según ADA	Reste 102 mm (4")

Dimensiones de fuentes de lavado semicirculares

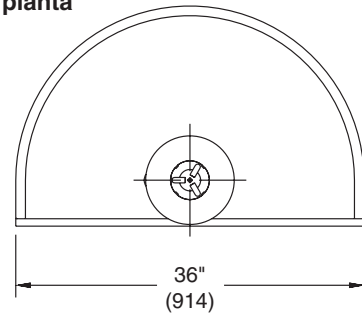
(mm)

Modelo WF3203

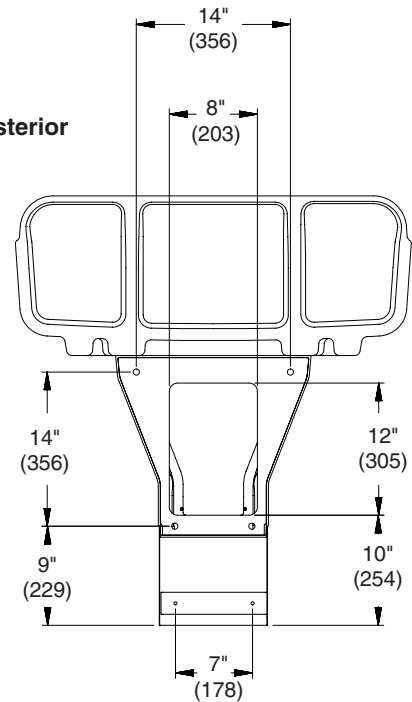
Vista lateral de semicircular de 36" (914)



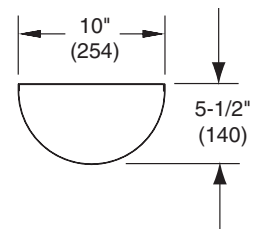
Vista en planta



Vista posterior

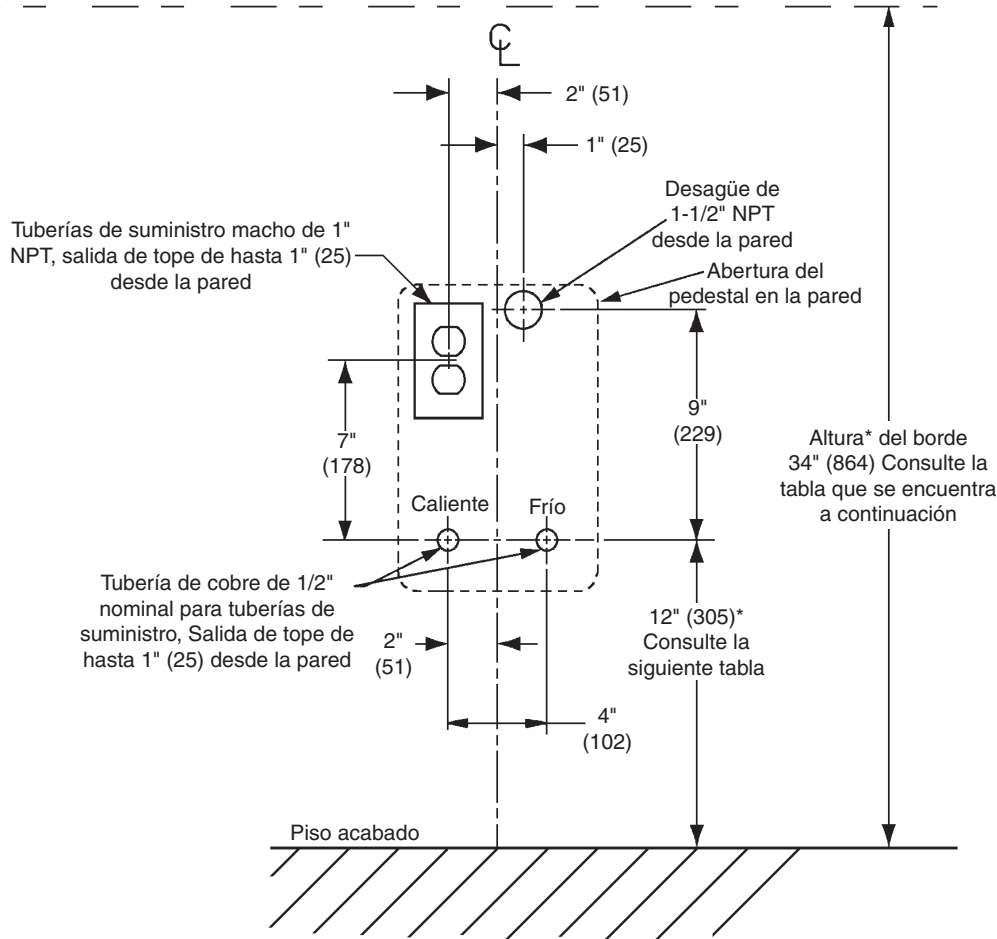


Vista de abajo arriba



Especificaciones de instalación de tuberías empotradas de fuentes de lavado semicirculares

(mm)



*Ajustes a las dimensiones verticales para varias alturas de borde

Altura del borde	Aplicación	Ajuste
864 mm (34") 889 mm (35") (WF3203)	Altura para adultos según ADA, Altura para adultos según TAS	Ninguno, como se muestra
813 mm (32")	Edades 11 a 14 ó 15 según TAS, Grados 6 a 8 ó 9	Reste 51 mm (2")
762 mm (30")	Edades de 4 a 10 u 11 según TAS, Grados Pre-K a 5 ó 6 y Altura para niños propuesta según ADA	Reste 102 mm (4")

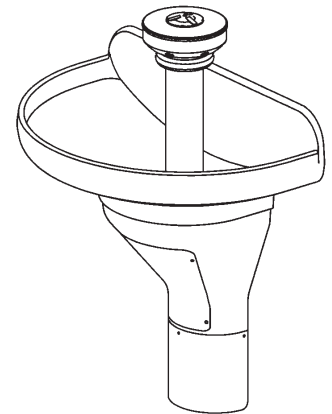
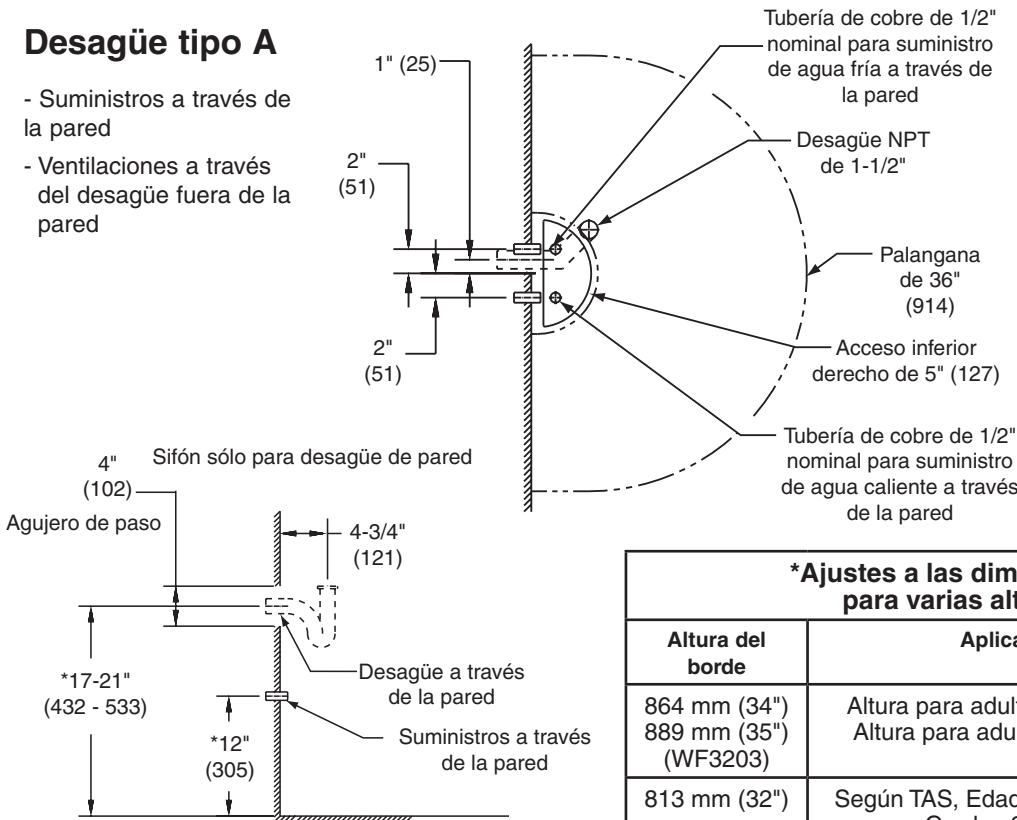
Especificaciones técnicas para instalación de tuberías empotradas (mm)

Desagüe tipo A

- Suministros a través de la pared
- Ventilaciones a través del desagüe fuera de la pared



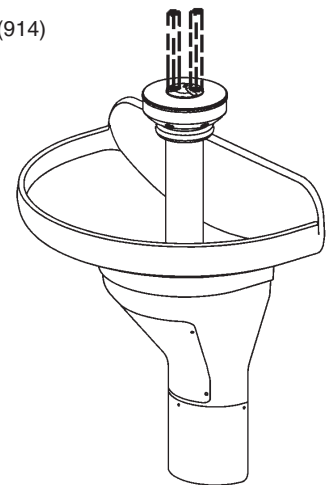
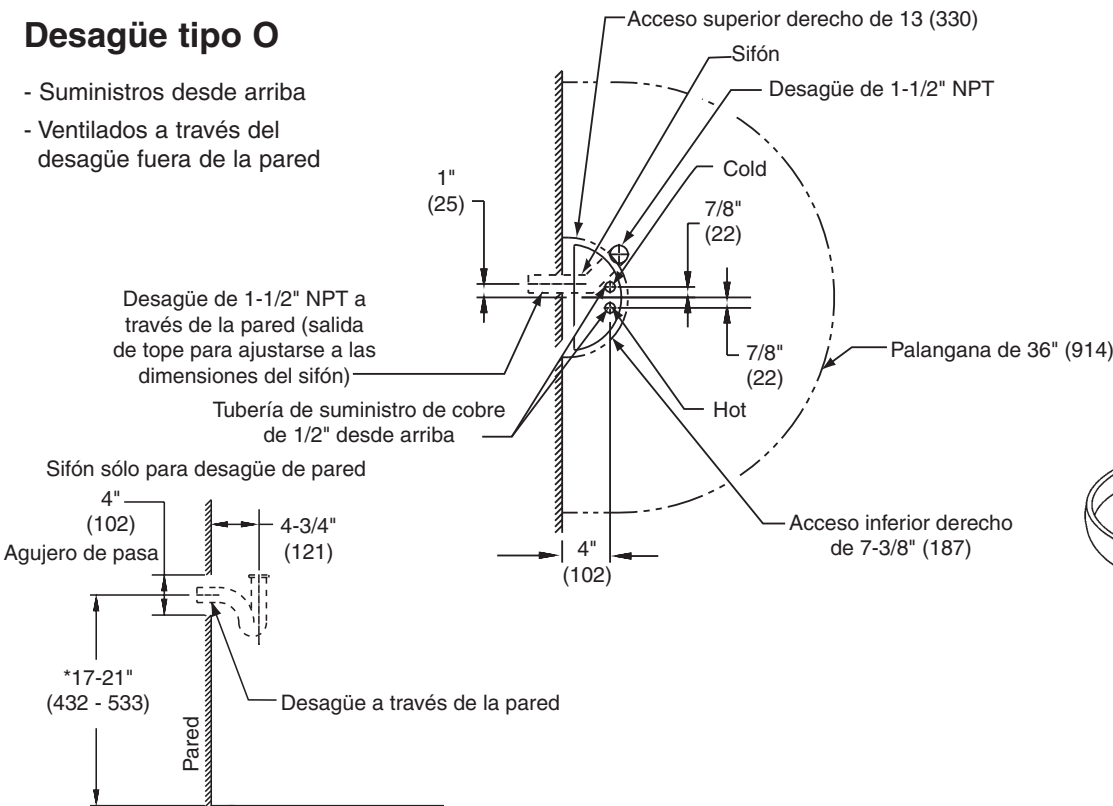
Desagüe para sifón tipo P y otros suministros.



*Ajustes a las dimensiones verticales para varias alturas de borde		
Altura del borde	Aplicación	Ajuste
864 mm (34") 889 mm (35") (WF3203)	Altura para adultos según ADA, Altura para adultos según TAS	Ninguno, como se muestra
813 mm (32")	Según TAS, Edades 11 a 14 ó 15, Grados 6 a 8 ó 9	Reste 51 mm (2")
762 mm (30")	Según TAS, Edades 4 a 10 u 11, Grados Pre-K a 5 ó 6 y Altura para niños propuesta según ADA	Reste 102 mm (4")

Desagüe tipo O

- Suministros desde arriba
- Ventilados a través del desagüe fuera de la pared



1 Desagüe y suministros empotrados

A Tuberías de suministro y desagüe empotradas necesarias para la instalación.



Se requiere una ubicación para enchufar el transformador de 24 V CA. Consulte la figura para el tomacorriente empotrado.

2 Montaje y ensamblaje de palangana/pedestal

A Conecte la base del pedestal de acero inoxidable al pedestal usando los tornillos y las arandelas de acabado proporcionados.



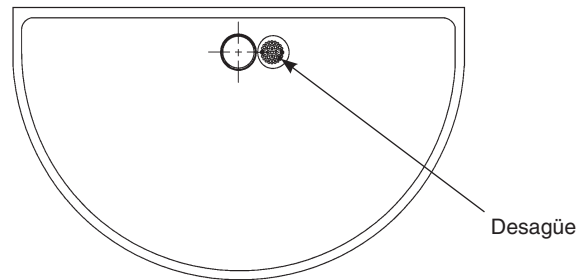
Antes de conectar las tuercas de mariposa y las arandelas de 1/4" a la varilla roscada, saque las tapas protectoras rojas de las varillas roscadas. Deseche las tapas de los manguitos después de sacarlas.

B Coloque el pedestal en la ubicación deseada y marque la posición de las cuatro (4) ubicaciones de montaje del pedestal en la pared.

¡ATENCIÓN! La superficie de la palangana es lisa. El peso aproximado de la palangana es de 34 kg (75 libras). ¡Manipule con cuidado!

C Asegure el pedestal a la pared con los sujetadores apropiados, dispositivos de sujeción y pernos de 1/2" (proporcionados por el instalador).

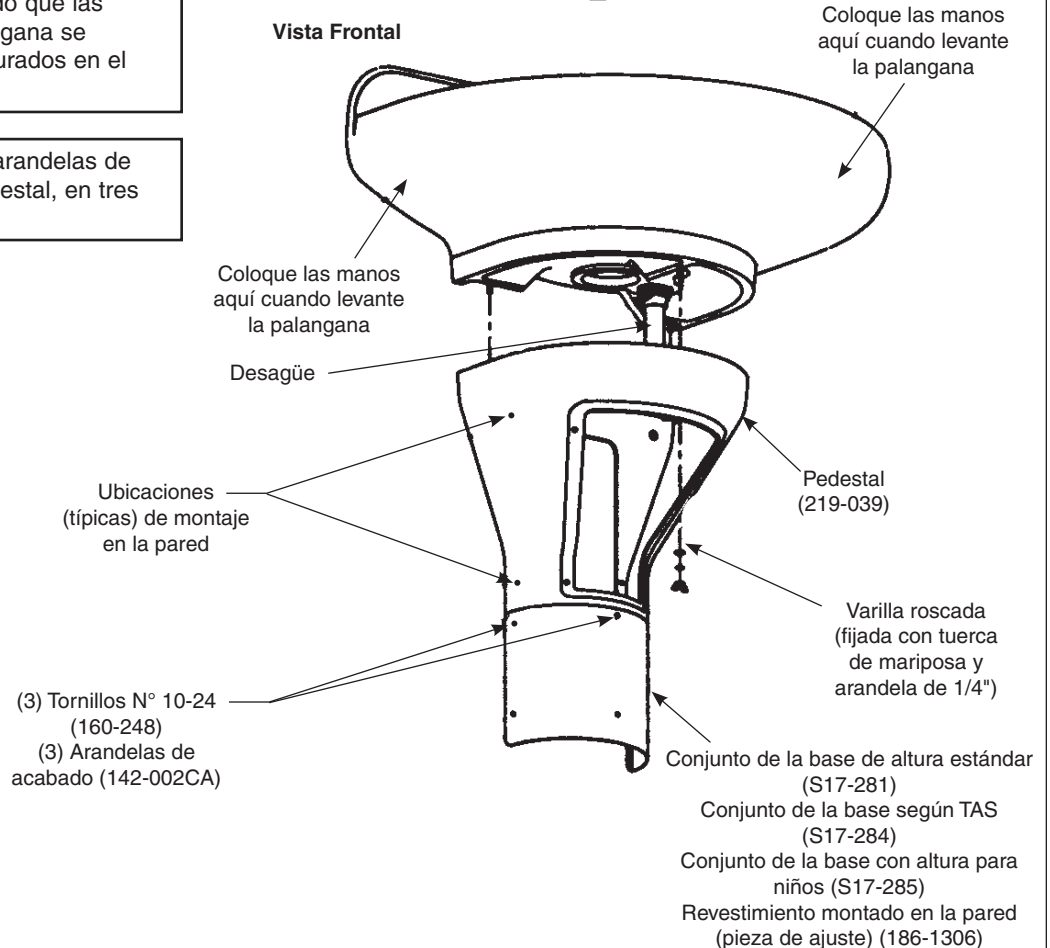
Vista en planta



D Con dos personas, levante cuidadosamente la palangana sobre el pedestal.

E Ubique la palangana de modo que las varillas roscadas en la palangana se acoplen con los orificios ranurados en el pedestal.

Vista Frontal

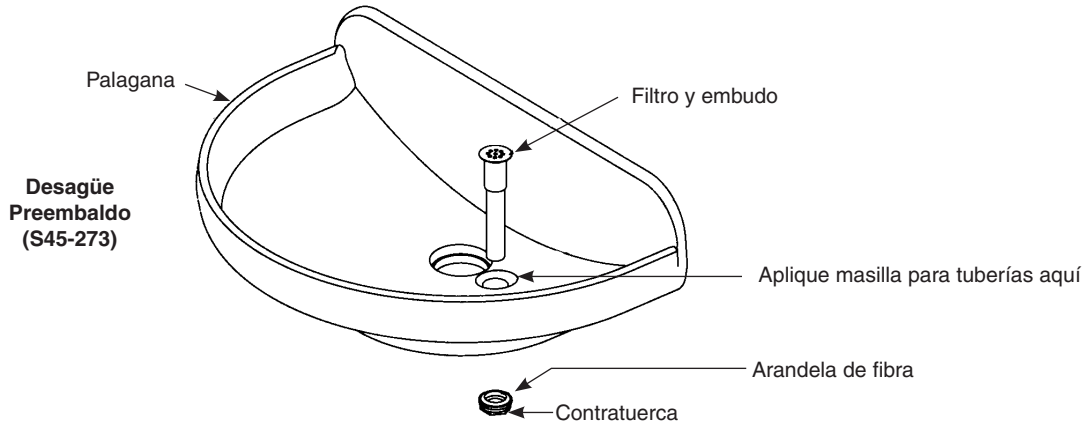


3 Instalación del embudo de desagüe en la palangana

A Fije el embudo de desagüe con la contratuerca y las arandelas



Selle entre el embudo y el orificio de desagüe con masilla para tuberías (proporcionada por el instalador).



4 Conecte las válvulas de cierre de suministro, la tubería de suministro de la boquilla rociadora y el sifón en P.

A Conecte las válvulas de cierre de suministro en las salientes.



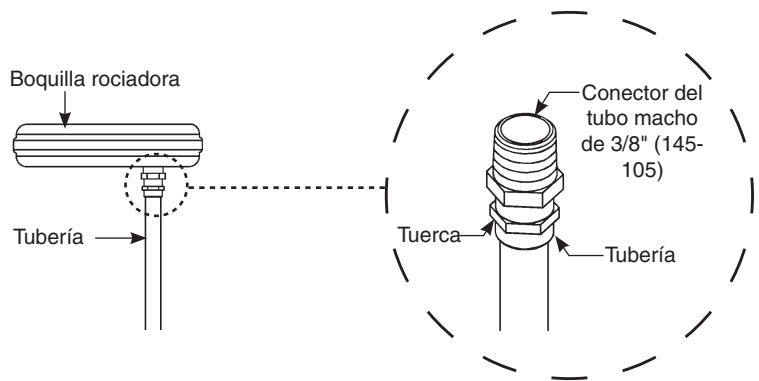
Lave las tuberías de suministro antes de realizar las conexiones. No aplique sellante de tuberías en los accesorios de compresión.

B Con un cuchillo afilado, corte la tubería directamente y elimine las rebabas. NO apriete ni aplaste el extremo de la tubería.

C Suelte la tuerca del accesorio. Humedezca el extremo del tubo y colóquelo en el accesorio hasta que se asiente con firmeza. Apriete la tuerca para fijar el tubo al accesorio (compruebe que esté firmemente apretada).

D Si el conector tiene fugas, vuelva a asentar la tubería. Si la fuga continúa, cambie el conector macho o llame a un representante de Bradley para solicitar ayuda.

E Conecte el sifón tipo P (proporcionado por el instalador) al tubo de aspiración y la salida del desagüe.



5 Instalación de la boquilla rociadora, el módulo infrarrojo y la válvula mezcladora termostática

A Instale en la palangana, el extremo guarnecido (no el extremo afilado) del tubo de soporte con la empaquetadura.

B Ubique la boquilla rociadora con la tubería de 3/8" en el tubo de soporte. Tienda la tubería hacia abajo a través del tubo de soporte. Asegúrese de que los orificios de rociador apunten lejos de la pared.

Ponga la barra de conexión superior (ranurada en ambas esquinas de cada extremo) en la parte superior de la boquilla rociadora paralela a la pared. Conecte las dos varillas de conexión roscadas usando la tuerca de acoplamiento con los tornillos de fijación de cabeza hexagonal. Tienda la varilla de conexión hacia abajo a través de la barra de conexión superior y fije la palangana desde abajo usando la barra de conexión inferior (sin ranuras) y la tuerca hexagonal con el tornillo de fijación de cabeza hueca. Debe sobresalir un mínimo de 57 mm (2-1/4") de la varilla de conexión roscada debajo de la barra de conexión inferior; esto será necesario para fijar las válvulas.

D Ponga el conjunto del módulo infrarrojo en la parte superior de la boquilla rociadora. Gire hasta que el módulo infrarrojo se fije en la barra de conexión. Baje los dos cables del módulo infrarrojo hacia el conjunto de la válvula. Asegúrese de que la cara de las ventanas del módulo infrarrojo quede hacia la parte delantera de la unidad.

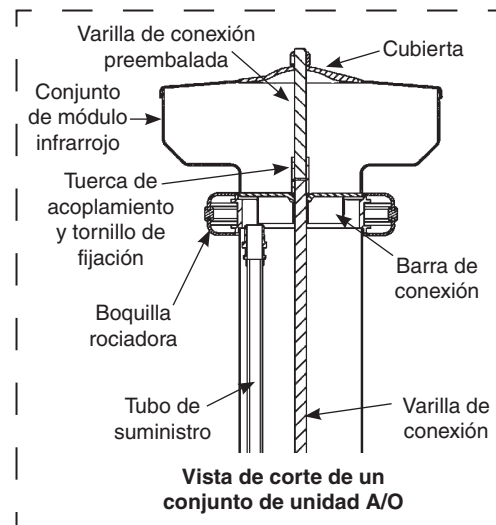
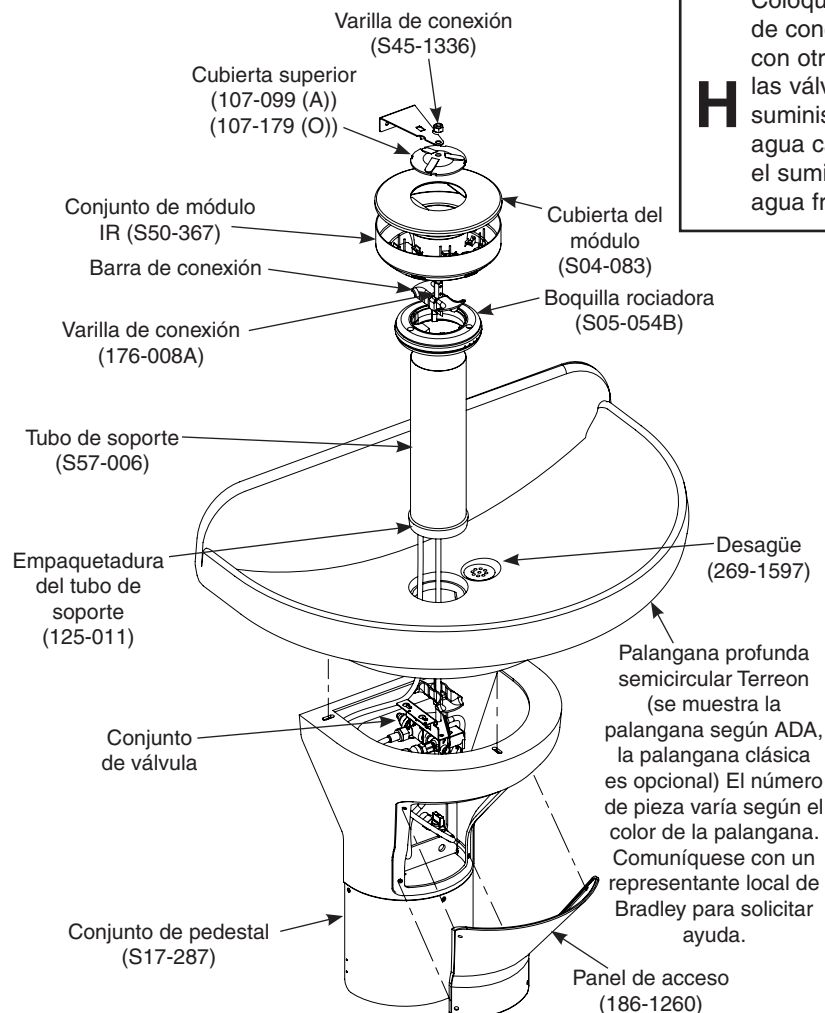
Vaya hasta el paso F para las unidades sin jabón.

E Para las unidades con opción de jabón, instale el espaciador, dispensador de jabón y cubierta usando la tuerca de acoplamiento, la tercera varilla de conexión (219 mm [8-5/8"] de largo) y la segunda tuerca de acoplamiento. Fíjelas con el soporte de contención, la tuerca ciega y el tornillo de cabeza hueca de la boquilla rociadora.

F Fije la cubierta del módulo infrarrojo y la cubierta superior con la tuerca ciega y el tornillo de fijación de cabeza hueca.

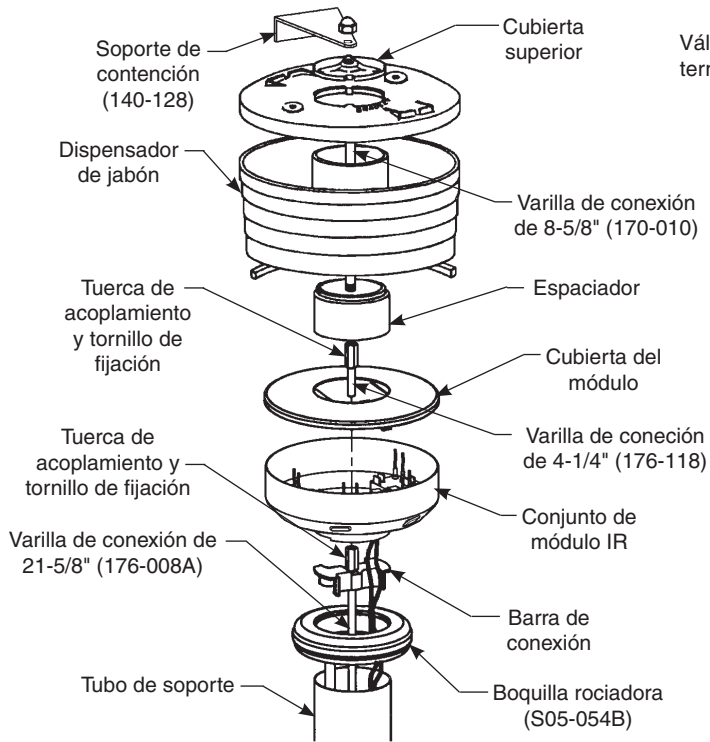
G Sosteniendo el conjunto de la válvula fuera del pedestal, conecte la tubería de 3/8" de la boquilla rociadora al conector del tubo del conjunto de la válvula. Conecte las dos mangueras flexibles al conjunto de válvula.

H Coloque una tuerca de 3/8" que se proporciona en la varilla de conexión. Luego coloque el conjunto de válvula y fíjelo con otra tuerca de 3/8". Conecte las mangueras flexibles a las válvulas de cierre del suministro. Asegúrese de que el suministro de agua caliente esté conectada a la entrada de agua caliente en la válvula (marcada con la letra "H") y que el suministro de agua fría esté conectado a la entrada de agua fría de la válvula (marcada con la letra "C").

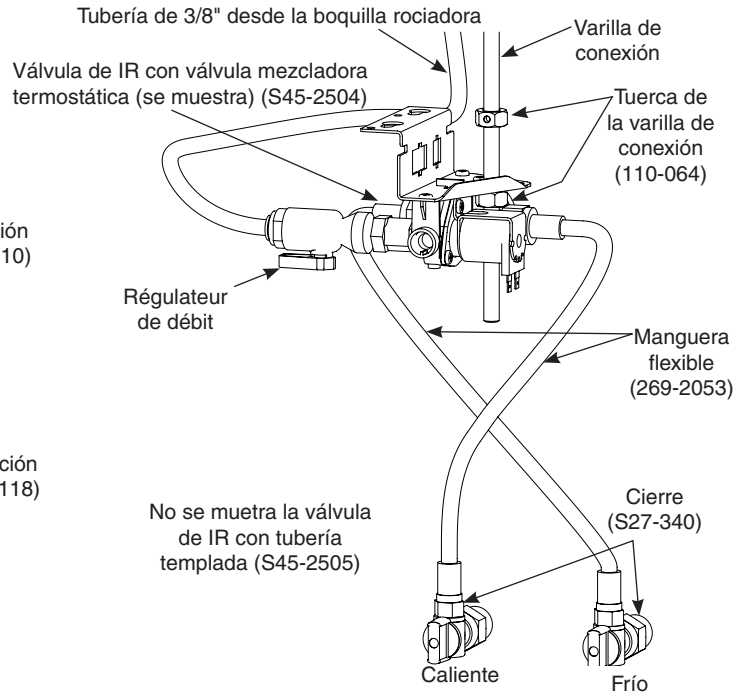


Unidades A/O
(Se muestra A)

Unidad con desagüe tipo "A" y módulo IR como se muestra, también disponible con desagüe tipo "O"



Conjunto de válvula



No aplique sellante de tuberías en los accesorios de compresión.

6 Conexiones eléctricas para el dispositivo infrarrojo Adaptive



NOTA INICIAL: No lo use durante dos minutos después de realizar la conexión eléctrica. Los sensores demoran hasta ocho minutos (sin que se usen) en adaptarse a la palangana si se detecta otro objeto durante el período inicial de dos minutos.

A Fije el cable de conexión hembra infrarrojo del módulo infrarrojo al solenoide.

B Conecte el cable de conexión macho infrarrojo del módulo infrarrojo al hilo de plomo conductor del transformador.

C Conecte el otro hilo de plomo conductor del transformador al solenoide.

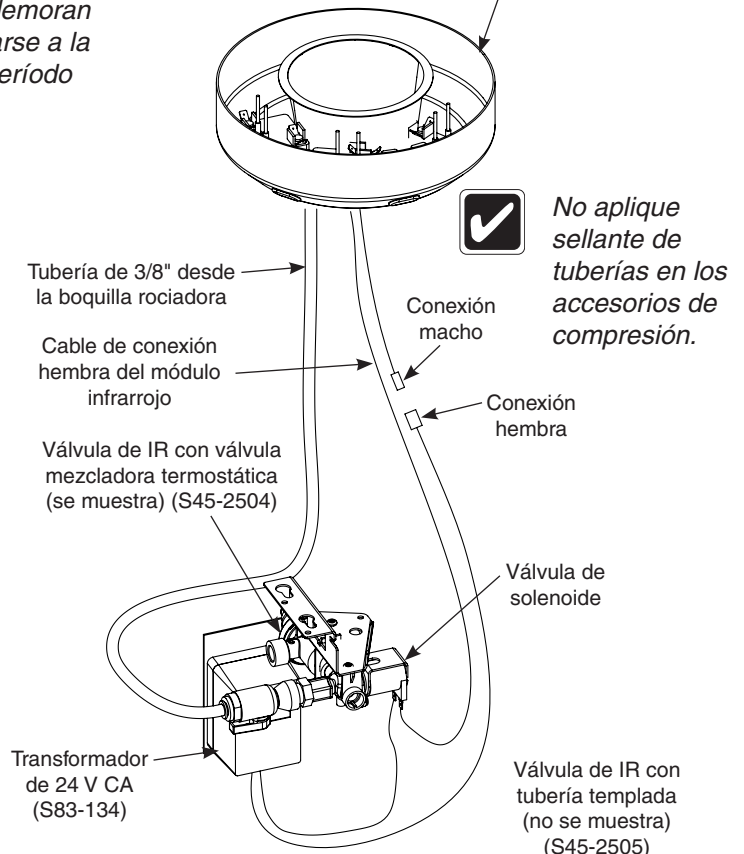
D Conecte el transformador de 24 V CA que se proporciona a la fuente de energía.

E Conecte y abra los suministros. Abra completamente las válvulas de cierre.

F Abra completamente la válvula de control de volumen y compruebe que la instalación de las tuberías no tenga fugas.

G Pase la mano frente a cada sensor hasta que se purgue el aire de las tuberías.

Módulo infrarrojo (S50-367)



No aplique sellante de tuberías en los accesorios de compresión.

7 Ajuste la temperatura con el agua corriendo



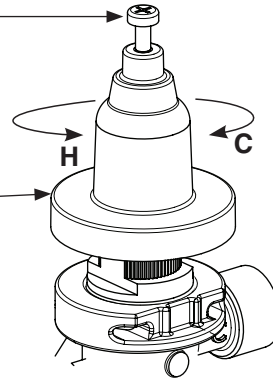
Esta válvula **NO** viene configurada desde la fábrica. Luego de la instalación, se debe verificar y ajustar la temperatura de esta válvula para garantizar un suministro de agua a una temperatura segura. El agua, a una temperatura superior a 43 °C (110 °F), puede provocar quemaduras.

A Suelte el tornillo de cabeza unos 1/4" (6mm) (4 a 6 giros) y levante la cubierta (sin quitarla).

B Utilizando la cubierta, gire con cuidado el cartucho hasta alcanzar la temperatura del agua que desee. No gire más allá de los topes, ya que se puede dañar la unidad. Presione la cubierta hacia abajo y apriete el tornillo.

C Limpie la boquilla rociadora, si fuese necesario. Ajuste la válvula de control de volumen para controlar el flujo de agua.

D Conecte el panel de acceso del pedestal con las piezas metálicas que se proporcionan.



Instrucciones de limpieza/mantenimiento de Terreon®

Descripción del material: Terreon es un material de superficie sólida densificada con certificación NAHB compuesto de resina poliéster y que es resistente a los productos químicos, las manchas, las quemaduras y los golpes. Los daños a las superficies se pueden reparar fácilmente con productos de limpieza de uso diario o abrasivos de polvo fino.

Limpieza de rutina: Limpie a diario o con la frecuencia que las condiciones demanden usando un producto de limpieza comercial o doméstico estándar como Formula 409® o Windex®.

Manchas rebeldes: Elimine las manchas difíciles con Ajax®, Comet®, o Soft-Scrub® y una almohadilla Scotch-Brite® verde o lije ligeramente con movimientos circulares usando papel de lija húmedo/seco grano 240. El acabado puede renovarse con una almohadilla Scotch-Brite granate.

Situaciones especiales del material

Rayones: Elimine los rayones con una almohadilla Scotch-Brite® verde. El acabado puede renovarse con una almohadilla Scotch-Brite® granate.

Depósitos de agua dura: Elimine los depósitos de agua dura con una solución suave de vinagre y agua. Siempre enjuague completamente la unidad después de la limpieza.

Restauración de la superficie: Use el producto de limpieza y pulimento de superficies sólidas Hope's® para renovar y proteger el material de superficie sólida Terreon. Bradley recomienda cuidado y mantenimiento adicionales para Terreon de colores oscuros. Para obtener instrucciones completas sobre este mantenimiento adicional, consulte el documento N° 1505 de Bradley.

¡AVISO! No use productos químicos ácidos o alcalinos fuertes ni de limpieza para limpiar Terreon. Si estos productos químicos entran en contacto con la superficie de Terreon, límpielos de inmediato y enjuague con agua jabonosa. Evite el contacto con productos químicos abrasivos como quitapinturas, blanqueador, acetona, etc. Evite el contacto con sartenes y objetos calientes.

Equipos de reparación: Se encuentran disponibles equipos de reparación Terreon. Comuníquese con el representante o distribuidor de Bradley para obtener los números de pieza y los precios.



Los equipos de reparación se deben pedir y tienen una duración de 30 días.

Nombres de marcas: El uso de los nombres de marca está previsto sólo para indicar un tipo de producto de limpieza. Ello no constituye una aprobación ni la omisión del nombre de marca del producto de limpieza significa que sea inadecuado. Muchos productos nombrados son de distribución regional y pueden encontrarse en supermercados, tiendas de departamentos y ferreterías locales o en el servicio de limpieza. Se pone énfasis en que todos los productos deben usarse en estricta conformidad con las instrucciones del paquete.

Instrucciones de limpieza/mantenimiento para la fibra de vidrio revestida de gel

Descripción del material: Las fuentes de lavado Terreon que se mencionan en este manual de instalación usan un pedestal de fibra de vidrio revestida de gel.

Limpieza de rutina: El pedestal revestido de gel debe limpiarse diariamente o con la frecuencia que sea necesario con una solución suave de detergente y agua. Siempre use un paño suave para evitar dañar el acabado.

Equipos de reparación: No hay equipos de reparación disponibles para los materiales de fibra de vidrio. Sin embargo, se encuentran disponibles repuestos; comuníquese con el representante de Bradley para obtener los precios y números de pieza.

¡AVISO! No exponga la fibra de vidrio revestida de gel a solventes, ya que éstos dañarán el material y pueden crear gases dañinos.

Nombres de marcas: El uso de los nombres de marca está previsto sólo para indicar un tipo de producto de limpieza. Ello no constituye una aprobación ni la omisión del nombre de marca del producto de limpieza significa que sea inadecuado. Muchos productos nombrados son de distribución regional y pueden encontrarse en supermercados, tiendas de departamentos y ferreterías locales, o en el servicio de limpieza. Se pone énfasis en que todos los productos deben usarse en estricta conformidad con las instrucciones del paquete.

Instrucciones de limpieza y mantenimiento del acero inoxidable

Descripción del material: El acero inoxidable es extremadamente duradero y su mantenimiento es sencillo y económico. El cuidado adecuado es fundamental, en especial bajo condiciones corrosivas. Siempre comience con la solución más sencilla y trabaje hacia las más complicadas.

Limpieza de rutina: A diario o con la frecuencia que sea necesario, use una solución de agua tibia, jabón, detergente o amoníaco. Aplique la solución de limpieza según las instrucciones del fabricante y siempre use un paño suave o una esponja para evitar dañar el acabado.

Manchas rebeldes: Para eliminar las manchas rebeldes del acero inoxidable use un producto de limpieza y pulimento para acero inoxidable como Ball® o un abrasivo suave. Siempre siga las instrucciones de los fabricantes y aplique en la misma dirección de las líneas de pulido.

NOTICE! Nunca use lana de acreo común o cepillos de acreo sobre acero inoxidable. Siempre use lana o cepillos de acero inoxidable.

Situaciones especiales del material

Huellas digitales o manchas: Para eliminar las huellas digitales o manchas use un producto de limpieza y pulimento de acero inoxidable de alta calidad en conformidad con las instrucciones del fabricante. Muchos de estos productos dejan un revestimiento de protección que ayuda a evitar manchas y huellas digitales futuras.

Grasa y aceite: Para eliminar la grasa y el aceite use un detergente comercial de calidad o un producto de limpieza cáustico. Aplique en conformidad con las instrucciones de los fabricantes y en la dirección de las líneas de pulido.

Precauciones: Evite el contacto prolongado con cloruros (blanqueadores, sales), bromuros (agentes sanitizantes), tiocianatos (pesticidas, productos químicos de fotografías y algunos alimentos) y yoduros sobre el equipo de acero inoxidable, especialmente si existen condiciones ácidas.

¡AVISO! No permita que las soluciones saladas se evaporen y sequen en el acero inoxidable.

La apariencia de rayas de óxido sobre el acero inoxidable lleva a pensar que el acero está oxidado. Busque la fuente real de óxido en algunas partículas de hierro o acero que pueden estar en contacto, pero que no son realmente parte de la estructura de acero inoxidable.

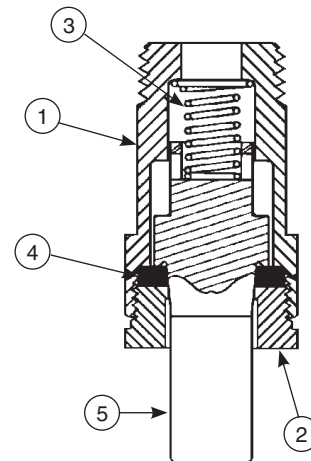
¡AVISO! Los productos de limpieza altamente ácidos o cáusticos pueden atacar el acero, creando una película rojiza. Se debe evitar el uso de estos productos de limpieza.

Nombres de marcas: El uso de los nombres de marca está previsto sólo para indicar un tipo de producto de limpieza. Ello no constituye una aprobación ni la omisión del nombre de marca del producto de limpieza significa que sea inadecuado. Muchos productos nombrados son de distribución regional y pueden encontrarse en supermercados, tiendas de departamentos y ferreterías locales, o en el servicio de limpieza. Se pone énfasis en que todos los productos deben usarse en estricta conformidad con las instrucciones del paquete.

Válvula para jabón — líquido — S09-007S

Lista de piezas

Artículo	Nº de pieza	Descripción	Piezas de conexión S09-007S	
			Cant.	
1	118-025	Cuerpo de la válvula	1	
2	110-007	Tuerca de presión	1	
3	135-001L	Resorte	1	
4	125-001BU	Arandela	1	
5	119-028	Émbolo	1	
*	161-014	Tuerca	1	
*	124-001D	Arandela	2	
*	142-002AH	Arandela de acero inoxidable	1	



* No se muestra

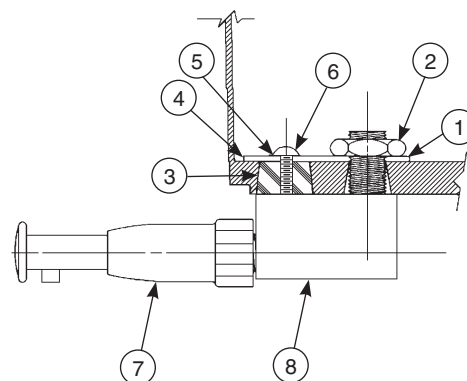
Esta válvula entrega una cantidad medida de jabón con cada golpe hacia arriba. El dispensador de jabón ha sido estándar en las fuentes de lavado desde 1983 y no es adecuado para jabones líquidos muy espesos.

¡AVISO! El jabón líquido obstruirá las válvulas de jabón líquido. Use sólo válvulas de jabón líquido con el jabón líquido.

Válvula para jabón — líquido — S09-007S

Lista de piezas

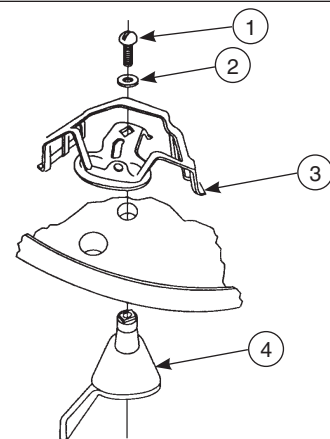
Artículo	Nº de pieza	Descripción	Piezas de conexión S09-057S	
			Conjunto de válvula S09-057	Cant.
1	124-001D	Arandela	—	1
2	110-057	Tuerca	—	1
3	125-001AN	Tapón	—	1
4	159-114	Placa de refuerzo	—	1
5	124-001AT	Arandela	—	1
6	160-176	Tornillo	—	1
7	S09-040	Válvula	1	1
8	S53-045	Adaptador	1	1



Válvula de jabón — en polvo — S09-010A

Lista de piezas

Artículo	Nº de pieza	Cant.	Descripción
1	160-069	1	Tornillo, 1/4-20 RD
2	142-002X	1	Arandela, 1/4 cierre dividido
3	S62-002	1	Conjunto de agitador/deslizante
4	192-004	1	Palanca de jabón en polvo



Se encuentran disponibles tapones reductores para usarlos con jabón granulado fino para reducir el flujo.



Se pueden cambiar las válvulas de polvo a líquido conectando el orificio más interno, o "rodamiento", con un tapón de goma, número de pieza 125-001AK. Para cambiar de líquido a polvo, se debe sacar el tapón. Si no hay, será necesario taladrar el orificio del rodamiento con una broca de 1/2" o de 5/8". La configuración del recipiente plástico forma una plantilla natural para ubicar el orificio del rodamiento.

Consejos para el mantenimiento del jabón

Recomendaciones sobre el jabón

Los dispensadores de jabón de calidad requieren jabón de buena calidad y mantenimiento periódico para funcionar en forma apropiada. Los dispensadores de jabón de Bradley proporcionarán un funcionamiento confiable y constante a largo plazo si se usa jabón con niveles de viscosidad y de pH razonables y si se realiza una cantidad mínima de mantenimiento periódico en las válvulas.

El espesor del jabón se determina mediante una medición que se llama viscosidad. La viscosidad del jabón debe ser entre 100 cps (centerpoise) y 2500 cps para todos los dispensadores de jabón de Bradley. Los usuarios perciben los jabones menos espesos como "acuosos", por lo tanto, tienden a tomar más de lo que necesitan, produciendo derroche. **Los jabones espesos fluyen más lento e inhiben la acción de "chorreo" de las válvulas, haciendo que el jabón se espese en la válvula y cause obstrucciones.**

El nivel de pH (acidez) del jabón debe estar en el rango de 6,5 a 8,5. Los jabones más ácidos (niveles de pH menores que 6,5) corroerán las piezas metálicas (incluso las de acero inoxidable) y degradarán los componentes de goma y de plástico. También causarán irritación en la piel. **Los jabones más económicos (típicamente del tipo líquido rosado) están en esta categoría ácida y finalmente causarán falla en las válvulas y corrosión en los metales.** Los jabones base (niveles de pH mayores que 8,5) causarán dilatación o degradación de las piezas de goma y de plástico e irritación en la piel.

En general, cualquier jabón de calidad que cumpla la viscosidad y las normas de pH anteriores funcionará bien con los dispensadores de jabón de Bradley. Los jabones PCMX o antibacterianos en base a isopropanol (dentro de los límites de viscosidad y pH) también funcionarán con los dispensadores de Bradley. Los jabones que cumplan con estas normas básicas proporcionarán flujo constante y reducirán las obstrucciones.

El jabón demasiado espeso o corrosivo, o la falta de mantenimiento, causará la mayoría de los problemas de los dispensadores de jabón. Muchos jabones vienen en forma concentrada, los cuales deben diluirse con agua. A menudo, el jabón se diluye en forma inapropiada o se usa directo de la botella, lo que causa obstrucciones y falla en las válvulas. Si se está usando el jabón adecuado, las válvulas que nunca se han limpiado, en general, son la fuente de los problemas de los dispensadores. Bradley ha hecho un convenio con Champion Brand Products para prestar servicios adicionales a los clientes para los compradores de nuestros dispensadores respecto a los temas de jabones. Son muy serviciales y pueden llegar al fondo de casi cualquier problema relacionado con los dispensadores de jabón. También venden un excelente jabón "aprobado por Bradley". Consulte la **Hoja 215-1286 de instrucciones sobre el jabón** para ver detalles respecto a la limpieza de las válvulas de jabón o cómo comunicarse con Champion. Con el mantenimiento y el jabón adecuados, los dispensadores de Bradley proporcionarán funcionamiento a largo plazo sin problemas.

Instrucciones de mantenimiento de los dispensadores de jabón

Los dispensadores de jabón de Bradley proporcionarán un funcionamiento confiable y constante a largo plazo si se usa jabón adecuado y si se realiza una cantidad mínima de mantenimiento periódico en las válvulas. Se debe mantener (limpiar) las válvulas para que funcionen en forma apropiada.

Para garantizar el funcionamiento apropiado del dispensador de jabón, siga estas instrucciones:

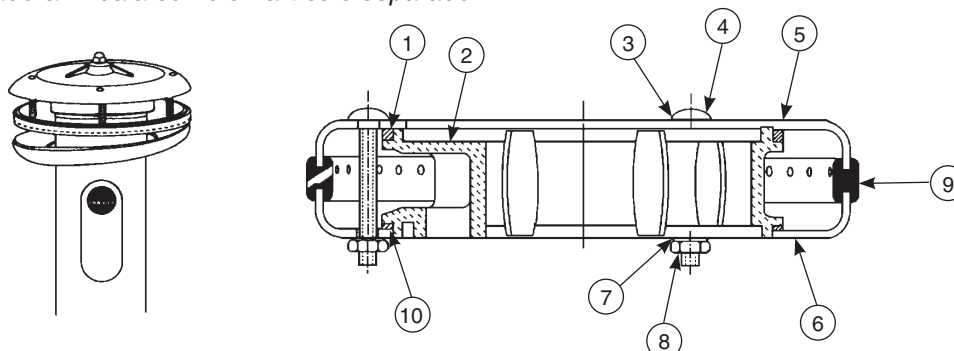
- Una vez al mes, destornille la válvula del tanque y remójela durante 30 minutos en agua caliente.
- Presione la válvula al menos 20 veces mientras está en remojo.
- Lave el tanque de jabón con agua caliente mientras la válvula está en remojo.

En casos de obstrucción extrema, se debe desarmar la válvula y se deben remojar las piezas en agua caliente o en una solución de limpieza para recuperar el funcionamiento adecuado. Los dispensadores de jabón que no se van a usar durante períodos prolongados de tiempo (durante las vacaciones de verano de las escuelas, etc.) se deben vaciar, limpiar y dejar vacíos hasta que se vuelvan a poner en servicio. El jabón que queda en la parte exterior de los dispensadores puede causar decoloración y corrosión del tanque (incluso en unidades de acero inoxidable). Se deben limpiar y sacar las manchas de jabón fregando diariamente, luego se debe enjuagar con agua limpia y secar con un paño suave la parte exterior del dispensador.

Boquillas rociadoras — estándares con arandelas aislantes de anillo con rociador de neopreno



El equipo de reparación no incluye arandela aislante para la boquilla rociadora. Pídala como un artículo separado.



Lista de piezas

Artículo	Nº de pieza	Descripción	Conjunto de boquilla rociadora S05-054B	Equipo de reparación S45-051
			Cant.	
1	125-001DE	Arandela de neopreno superior	1	1
2	139-031	Múltiple de boquilla rociadora	1	—
3	124-001AL	Arandela	3	4
4	160-211	Perno de cabeza de hongo	3	4
5	115-061	Parte superior de la boquilla rociadora	1	—
6	116-008	Parte inferior de la boquilla rociadora	1	—
7	124-001AT	Arandela	3	4
8	161-025	Tuerca	3	4
9	124-020D	Arandela aislante de boquilla rociadora semicircular	1	—
10	125-001DF	Arandela de neopreno inferior	1	1

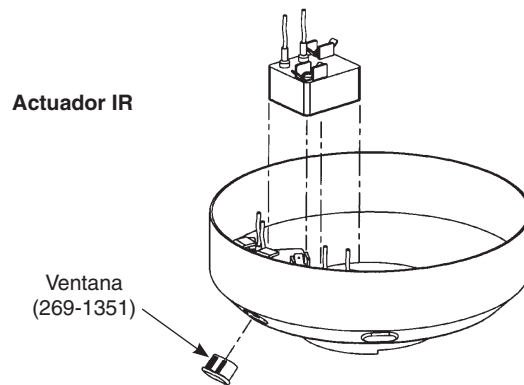
Sugerencias de reparaciones de la boquilla rociadora

Problema	Causa	Solución
El agua salpica sobre el borde de la palangana.	Materia extraña ha reducido el tamaño de las ranuras de la boquilla rociadora, haciendo mayor presión en las ranuras abiertas.	Limpie la boquilla rociadora: <ol style="list-style-type: none"> Desarme la boquilla rociadora y desprenda cualquier suciedad, aplique cal a las impurezas acumuladas y extrañas con un cepillo de alambre. Las boquillas rociadoras con anillos rociadores de arandelas aislantes de goma se pueden limpiar raspando una moneda sobre la arandela aislante. Disminuya el control de volumen (el rocío del agua debe golpear la palangana sin salpicar fuera de ésta).
Disminuye el flujo de agua proveniente de la boquilla rociadora.	La parte del filtro de la válvula de cierre/de retención con filtro está obstruida.	Saque y limpie el tamiz del filtro de la válvula de cierre/de retención con filtro.



La boquilla rociadora que se muestra arriba incluye una arandela aislante perforada de neopreno en el anillo rociador que se limpia en forma automática. La presión del agua flexiona los orificios de rociado, lo que disminuye la acumulación de materia extraña y tiende a “soltar” cualquier clase de depósito que pueda haberse acumulado.

Componentes del conjunto del módulo IR S50-367



Localización de fallas del dispositivo IR Adaptive

Hay una luz de diagnóstico con LED incorporado en la pequeña caja negra que aloja los circuitos del sensor. A continuación hay una lista de lo que significan las señales del LED. Use esta lista para localizar las fallas del sensor.

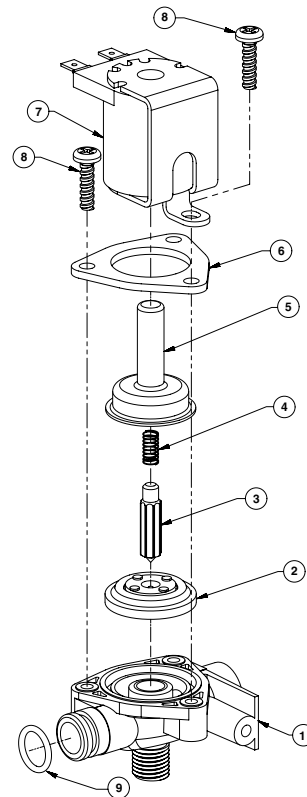
Problema	Causa	Solución
No se ilumina el LED	No está llegando energía al sensor.	Revise si hay energía en el tomacorriente de la pared de 110 V CA y en los cables del transformador de 24 V CA. Si hay energía de 110 V CA en el tomacorriente de la pared, pero no hay energía desde el transformador, el toque de los conductores del transformador mientras se enchufaba o es posible que una sobretensión transitoria de energía haya quemado el transformador. Agregue protección contra sobretensiones transitorias en el tomacorriente si se sospecha una sobretensión transitoria de energía y cambie el transformador. Si se está recibiendo suministro de energía de 24 V CA desde el transformador, revise si hay conexiones de cables sueltos y compare las conexiones con el diagrama de cableado
Parpadeo rápido	El sensor está detectando algo en su mira y el agua debe estar abierta (se está enviando energía hacia el solenoide).	Si el sensor está parpadeando rápido, se está abriendo el agua y no hay algo en el área de detección, desconecte la energía por al menos 30 segundos. Esto permitirá que el sensor descargue su memoria y se pueda volver a ajustar. Vuelva a conectar la energía y espere 2 minutos completos para permitir que el sensor reconozca el ambiente antes de intentar activarlo. El sensor se puede demorar hasta 8 minutos en volver a ajustarse si se activa durante esos 2 minutos. Si la condición persiste, asegúrese de que los LED en los extremos de los cables del sensor estén presionados hasta el fondo en las partes posteriores de las lentes. Si el sensor está parpadeando rápido y no se está abriendo el agua, consulte la guía de localización de fallas para el solenoide.
Parpadeo lento	El sensor está detectando algo en su mira y el agua debe estar cerrada (no se está enviando energía hacia el solenoide).	El sensor ha detectado un objeto fijo en su mira durante más de 30 segundos y cortó la energía hacia la válvula de solenoide. Saque el objeto, si aún está en la palangana y reinicie el sensor como se explicó anteriormente.
Parpadeo SOS (3 cortos, 3 largos, 3 cortos)	El sensor ha detectado una condición de sobrecarga y se apagó para proteger sus circuitos.	Compare las conexiones con el diagrama de cableado. Esta condición generalmente significa que la válvula de solenoide no está cableada en forma apropiada. Después de corregir cualquier error de cableado, reinicie el sensor como se explicó anteriormente.

Si necesita ayuda adicional, comuníquese con el representante local de Bradley. Llámenos a la línea 1-800 de Bradley si necesita el nombre y el número de teléfono del representante local de Bradley.

Válvula de solenoide S07-069 (cuerpo cerrado)



Cierre los suministros de agua hacia la unidad antes de localizar las fallas.



Ref.	Cant.	Nº de pieza	Descripción
1	1	118-308	Cuerpo de la válvula, 5/16" cerrada
2	1	269-983	Diafragma
3	1	269-577	Armadura
4	1	269-578	Resorte
5	1	269-1729	Alojamiento de la armadura
6	1	269-1730	Abrazadera de alojamiento de la armadura
7	1	269-1797	Bobina de la válvula de solenoide
8	3	160-447	Tornillo n° 8 x 5/8"
9	1	125-165	Junta tórica n° 2-013

Problema	Causa	Solución
Una estación de funcionamiento individual no se corta y gotea.	Hay desechos atrapados entre el diafragma y el asiento de la válvula.	<p>Saque los desechos entre el diafragma y el asiento de la válvula.</p> <ol style="list-style-type: none"> Saque los tres tornillos de cabeza N° 8 de Phillips que sujetan el conjunto de la válvula solenoide. Tenga cuidado de no soltar la armadura ni el resorte. Saque el diafragma. Elimine las partículas que hayan quedado atrapadas entre el diafragma y el asiento de la válvula. Enjuague el diafragma e inspecciónelo para ver si tiene daños. Asegúrese de que el orificio del centro y ambos orificios laterales pequeños estén abiertos. Vuelva a armar en el orden inverso, teniendo cuidado de no apretar en exceso los tornillos de cabeza Phillips o puede agrietar el cuerpo plástico de la válvula. Apriete hasta que la placa de la armadura haga contacto con el cuerpo de plástico. Vuelva a conectar el cableado.
Una estación de funcionamiento individual no enciende.	Hay una bobina fallada en la válvula o alguna conexión eléctrica suelta hacia el terminal.	<p>Pruebe la estación para determinar la causa.</p> <ol style="list-style-type: none"> Desconecte los cables de la bobina de una válvula adyacente. Desconecte los cables de la válvula con problemas y vuelva a conectar a la válvula adyacente. Conecte los suministros eléctricos y abra los suministros de agua hacia la unidad. Pase la mano frente al sensor de la estación con problemas y debería activarse la estación adyacente. <p>Si la estación adyacente se activa y realiza un ciclo en forma normal, cambie la bobina de la válvula con problemas.</p> <p>Si no se activa la válvula adyacente, inspeccione los cables provenientes del cable del sensor y realice lo siguiente:</p> <ul style="list-style-type: none"> asegúrese de que no haya roturas y de que los terminales de desconexión completamente aislados estén firmemente doblados en su lugar; desconecte los suministros eléctricos y cierre los suministros de agua; vuelva a conectar a la válvula adyacente y abra los suministros de agua hacia la unidad; pase la mano frente al sensor. Si la estación aún no se activa, cambie el sensor.

Solución de problemas de la válvula mezcladora termostática

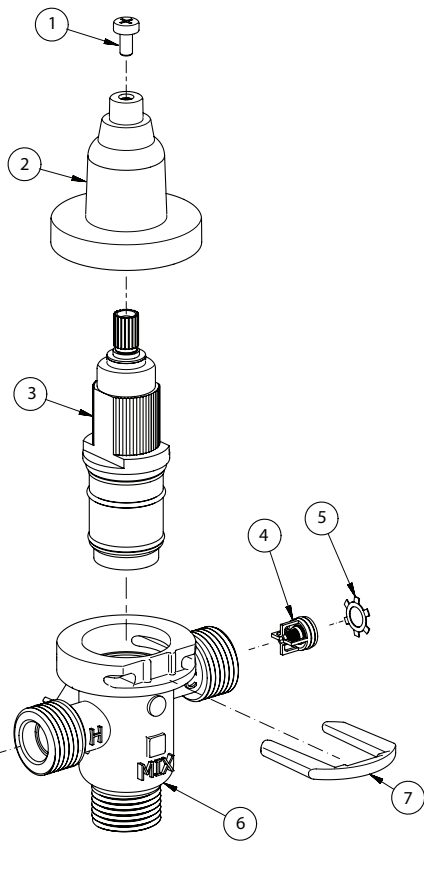
Antes de intentar solucionar problemas de la válvula o desensamblar los componentes, verifique las siguientes condiciones:

- Si se usan válvulas de cierre, compruebe que estén totalmente abiertas.
- Compruebe que los tubos de entrada de agua caliente y fría estén conectados correctamente, y que no existan conexiones cruzadas o válvulas de cierre con filtraciones.
- Revise la salida del calentador de agua caliente para comprobar que esté al menos a 5,5 °C (10 °F) por sobre la temperatura establecida.



Asegúrese de cerrar las válvulas de retención correspondientes antes de desensamblar la válvula, y vuelva a abrir las válvulas después de completar la inspección y la reparación.

Problema	Causa	Solución
Filtraciones externas.	Juntas tóricas o cartuchos dañados.	Sustituya el cartucho con la pieza número 269-1927.
Temperatura del agua o fluctuación de la temperatura incorrecta.	El suministro de agua caliente no está a 5,5 °C (10 °F) sobre el punto de ajuste deseado.	Aumente la temperatura del suministro de agua caliente.
	La temperatura de la válvula no está ajustada correctamente.	Ajuste la temperatura según se muestra en la página 50, paso 7.
Flujo de agua limitado.	La suciedad y los desechos se han acumulado en la válvula o en el filtro.	<ol style="list-style-type: none"> 1. Verifique que los suministros de agua fría y caliente estén conectados a la válvula mezcladora Navigator y que tengan flujo de agua. 2. Retire la cubierta y la abrazadera en U. Retire el cartucho y limpie el filtro. No es necesario engrasar el cartucho; sin embargo, si desea hacerlo, sólo utilice grasa de silicona. No utilice grasa en las válvulas de retención.



Lista de piezas

Artículo	N.º de pieza	Descripción	Cantidad
			S59-4000
1	160-463	Tornillo de cabeza	1
2	107-582	Cubierta	1
3	269-1927	Cartucho termostático	1
4	198-014	Válvula de retención*	2
5	132-051	Anillo de retención*	2
6	118-319	Cuerpo de la válvula	1
7	146-079	Abrazadera en U	1

* Se incluye con el conjunto preempaquetado S65-326

Opción de adaptador para tubería temperada (n.º de pieza S39-804)
(reemplaza a S59-4000 si se usa una tubería temperada)

