

Faucets by others

Installation

Bradley Multi-Station Island Sink

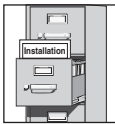
Model S96-050 (6950A)

Table of Contents

Supplies Required	2
Island Sink Components	2
Island Sink Dimensions	2
Installation Instructions	3
Cleaning Stainless Steel	3



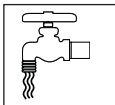
IMPORTANT!



Read this entire installation manual to ensure proper installation. When finished with the installation, file this manual with the owner or maintenance department. Compliance and conformity to local codes and ordinances is the responsibility of the installer.



Separate parts from packaging and make sure all parts are accounted for before discarding packaging material. If any parts are missing, do not begin installation until you obtain the missing parts.



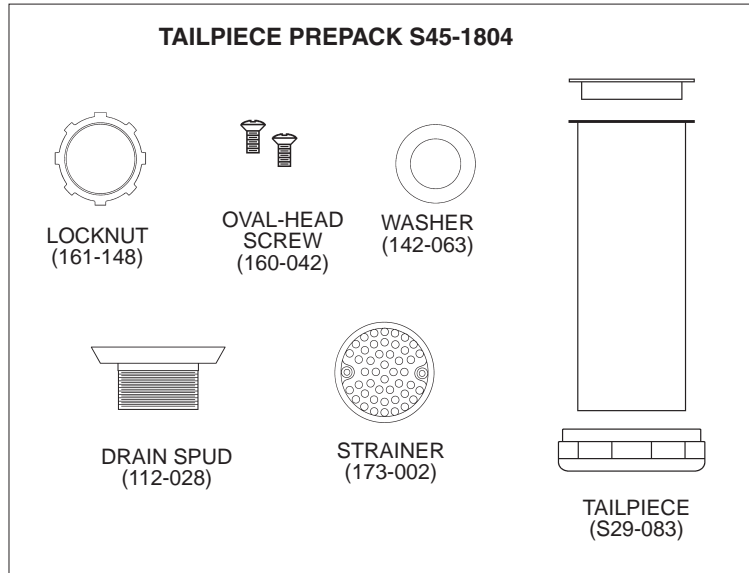
Make sure that all water supply lines have been flushed and then completely turned off before beginning installation. Debris in supply lines can cause valves to malfunction.



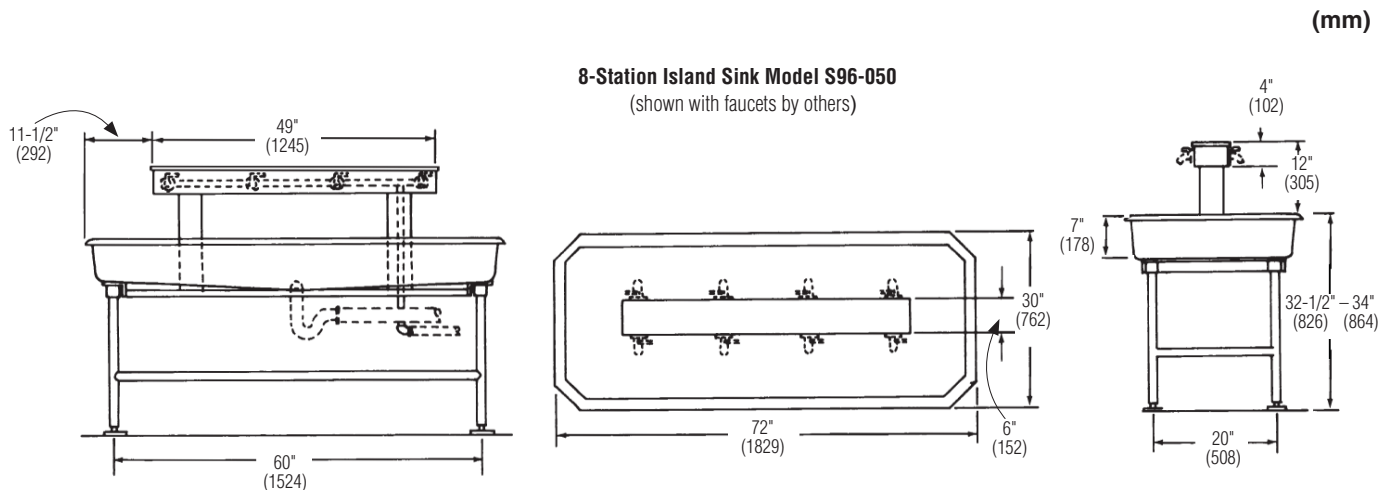
Product warranties may be found under "Products" on our web site at bradleycorp.com.

Supplies recommended for installation:

- 1/4" anchors and bolts to secure sink to floor
- Trap and drain pipe to 1-1/2" O.D. tailpiece
- Supply pipe to faucets (if required)



Model 6950A Dimensions



1 Level the Sink



Use a carpenter's level to make sure that the sink is level with the floor before installing anchors.

1. Adjust the foot pads on the bottom of the legs to level the unit and provide proper drainage.
2. Secure the foot pads to the floor with suitable anchors and hardware (supplied by installer).

2 Assemble the Drain and Complete Installation



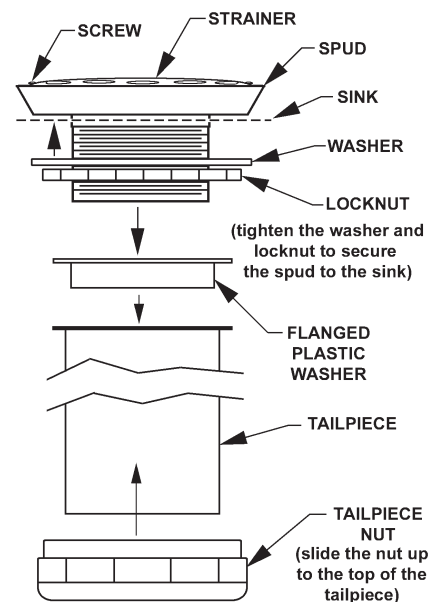
Make the connection to the pipe (supplied by the installer) AFTER the sink has been levelled.

1. Insert the drain spud into the hole in the island sink and secure the spud to the sink with the washer and locknut provided as shown.
2. Attach the strainer to the drain spud and secure with the two screws provided as shown.



To avoid leakage, use plumber's putty to caulk the drain spud.

3. Insert the flanged plastic washer into the top of the tailpiece. Slide the tailpiece nut up to the top of the tailpiece and screw the nut into the spud to secure the tailpiece to the sink.
4. Install the faucets as outlined in the faucet manufacturer's installation manual.
5. Make the proper supply connections to the faucets as outlined in the faucet manufacturer's installation manual (pipe supplied by installer).
6. Make the drain connection to the 1-1/2" O.D. tailpiece on the sink (pipe supplied by installer).



Cleaning Stainless Steel



Cleanliness is of utmost importance. Do not permit salty solutions to evaporate and dry on stainless steel. Never use ordinary steel wool or steel brushes on stainless steel. Always use stainless steel wool or stainless steel brushes.

1. Remove ordinary deposits of dirt and grease with soap and water. Whenever possible, the metal should be thoroughly rinsed and dried after washing.
2. Use stainless steel polishing powder to get rid of tightly adhering deposits.
3. Look for the source of the rust in some iron or steel not actually a part of the stainless steel structure. Sometimes the appearance of rust streaks on stainless steel leads to the belief that the stainless steel is rusting. A steel nail or screw may be the cause of the trouble.
4. If the sprayhead delivers an uneven spray, remove the sprayhead from the unit, disassemble, and remove foreign matter. Reassemble sprayhead and reinstall into unit.