

- Made from 14 Gauge 300 Series Stainless Steel
- Quick and Simple Wall-Hung Installation
- Generous 8" High Backsplash to Protect Walls

Specifications

Size and Capacity

Lavatory bowl measures 14-1/2" x 9-1/2" x 5" deep. The deck has a 1-1/8" hole for center shank faucet mounting. The 8" high backsplash provides extra protection for walls when using a gooseneck faucet.

Construction and Finish

Constructed of 14 gauge 300 series stainless steel with a bead blast finish on the deck, bowl and backsplash. The deck has a 1" rim for added strength and 45° angled front corners for safety. The bowl, deck and backsplash are a single, integral unit for easy cleaning.

Wall Mounting

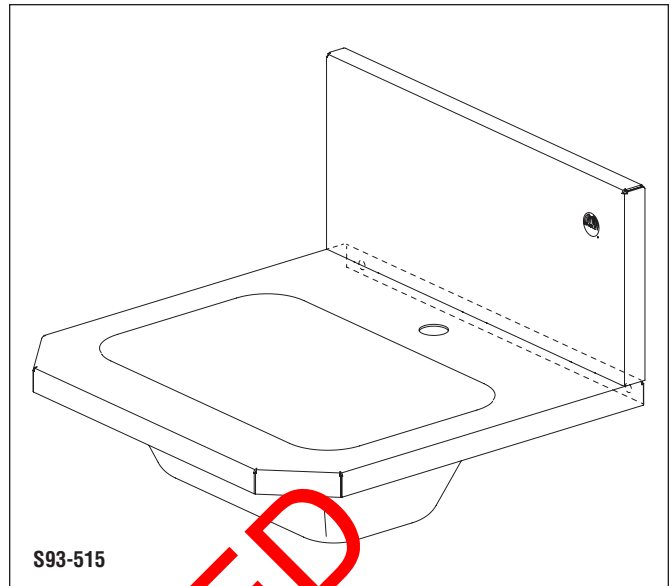
Designed to be mounted using five 1/4" wall anchors (supplied by installer). The lavatory is mounted to the wall with a stainless steel wall bracket and secured under the back of the deck with two of the 1/4" wall anchors.

Standard Equipment

The wall hanger bracket and an 1-1/4" tailpiece and strainer are included with the unit for ease of installation.



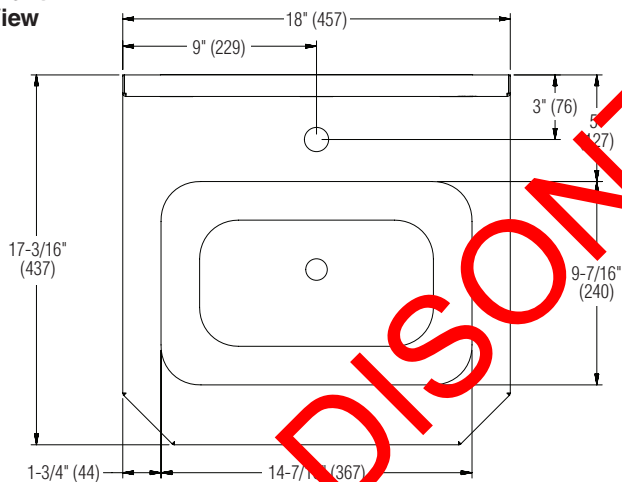
Standard product selections contained within this document are third party **CERTIFIED** to NSF/ANSI 372 meeting the Lead-Free content requirement. Any product configured with custom options will be **COMPLIANT** with NSF/ANSI 372 meeting the Lead-Free content requirement.



S93-515

(mm)

Front View



Side View

