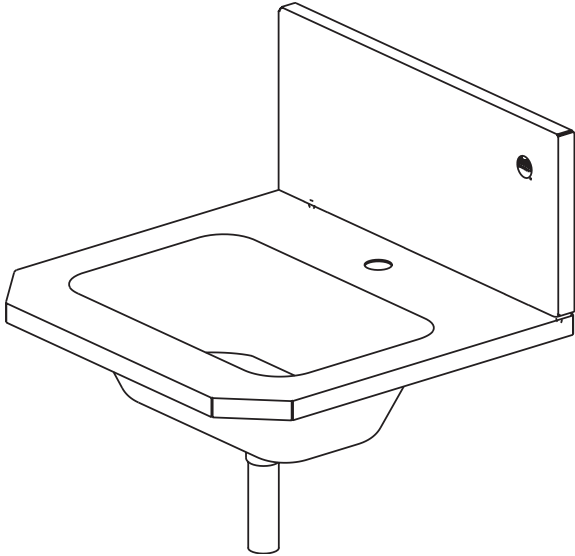

Installation Instructions

Food Service Lavatory



Model FS2110

Table of Contents

Pre-Installation Information	2
Warranty	2
Installation Instructions	3-4
Cleaning and Maintenance Instructions	4



IMPORTANT

Read this entire instruction sheet to ensure proper installation.

Flush all the water supply lines before making connections.

File these instructions with the owner or maintenance department.



P.O. Box 309, Menomonee Falls, WI 53052-0309
Phone (414) 251-6000 Fax (414) 251-5817
<http://www.bradleycorp.com>

Pre-Installation Information

Check Contents

Separate all parts from packaging and check each part with Figure 1 page 3. Make sure all parts are accounted for before discarding any packaging material.

Supplies required for installation:

- (5) 1/4" mounting bolts
- (5) 1/4" wall anchors
- P-trap to fit 1-1/4" tail piece to 1-1/2" drain piping
- Suitable supply line(s) for the faucet being utilized
- Pipe sealant
- Plumber's putty

Bradley Stainless Steel Lavatory Warranty

Bradley Corporation warrants to commercial and institutional purchasers only each unit free from defects in material and workmanship under normal use and service upon the following terms and conditions:

1. This warranty is limited to replacing or repairing, at our option, transportation charges prepaid by the purchaser, any Bradley unit or part thereof which our Corporation shall show to have been defective within the limitations of this warranty.
2. The period during which Bradley's lavatory is warranted is measured one (1) year from the date of our invoice.
3. This warranty does not cover installation or any other labor charges and does not apply to any units which have been damaged by accident, abuse, improper installation, or improper maintenance.
4. The replacement or repair of defective units as stated in this warranty shall constitute the sole remedy of the purchaser and the sole liability of Bradley Corporation under this warranty. Bradley Corporation shall not otherwise be liable under any circumstances for incidental, consequential, or indirect damages caused by defects in the repair or replacement thereof.
5. This warranty extends only to commercial and institutional purchasers and does not extend to any others, including consumer customers of commercial and institutional purchasers.
6. This warranty is in lieu of all other warranties, expressed or implied, including any implied warranty of merchantability or fitness for a particular purpose or otherwise.

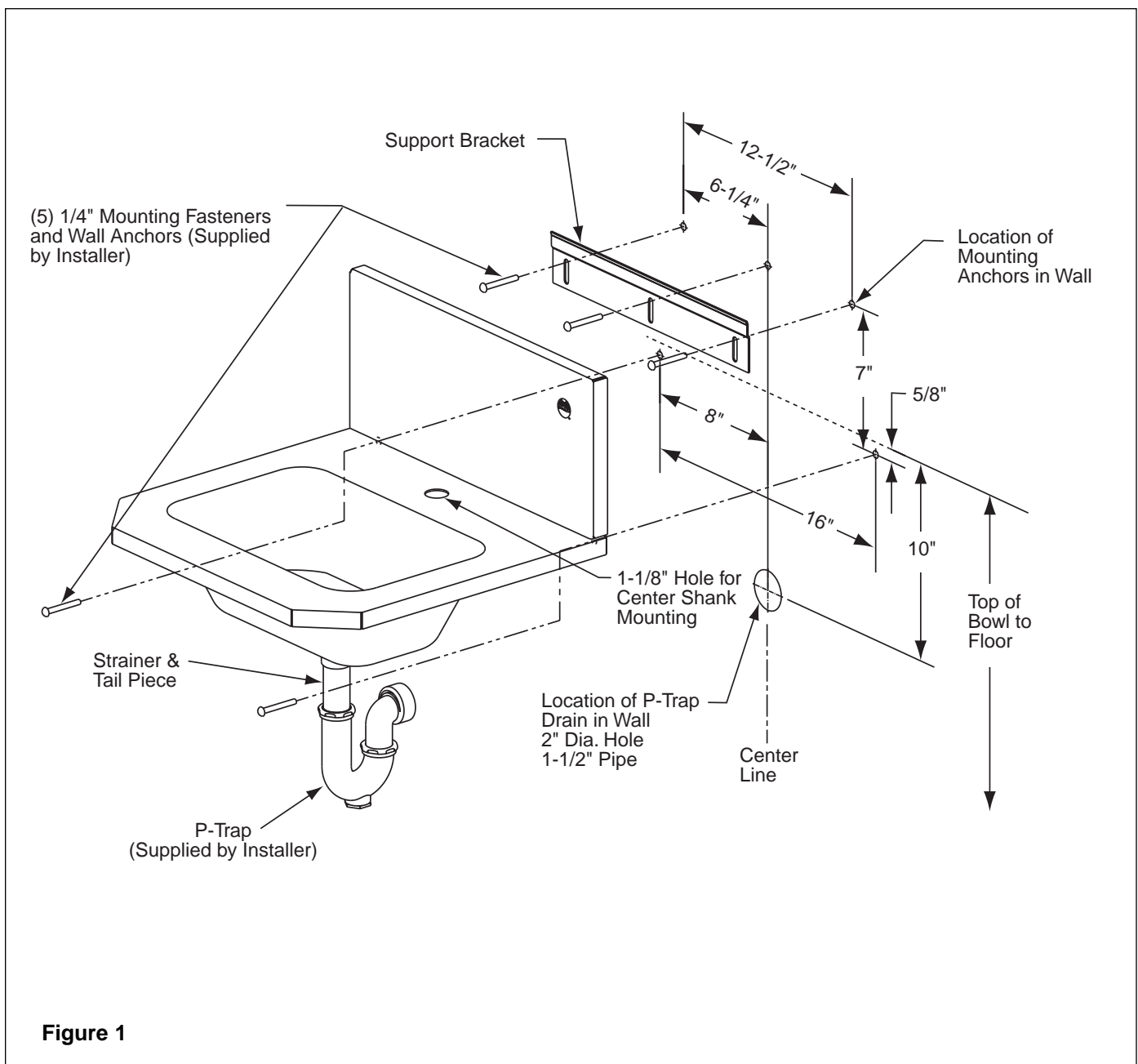
Installation Instructions

Step 1: Install piping and wall anchors

1. Rough-in supply line and drain waste connection at the dimensions shown in Figure 1

Note: Rough-in water inlet per faucet manufacturer's specifications.

2. Install five 1/4" wall anchors (supplied by installer) at locations shown in Figure 1.
3. Attach support bracket to wall with 1/4" mounting screws (supplied by installer).



Installation Instructions *continued* . . .

Step 2: Connect water

1. Mount sink assembly on support bracket on wall and secure sink to wall using 1/4" mounting bolts (supplied by installer).
2. Attach strainer and tailpiece to sink using plumber's putty to seal, and tighten retaining nut.
3. Connect tailpiece to drain P-trap (supplied by installer).
4. Connect supply line(s) to faucet per manufacturer's instructions.

Step 3: Test unit for proper operation

1. Turn on the main water and check for leaking.

Maintenance Instructions

Care and Cleaning of Stainless Steel

Stainless steel is extremely durable, and maintenance is simple and inexpensive. Proper care, particularly under corrosive conditions, is essential. Follow the cleaning instructions listed below:

- Ordinary deposits of dirt and grease are quickly removed with soap and water. Whenever possible, the metal should be thoroughly rinsed and dried after washing. To remove tightly adhering deposits, use stainless steel polishing powder. In all cases, rub in the direction of the stainless steel grain.



IMPORTANT: Never use ordinary steel wool or steel brushes on stainless steel. Always use stainless steel wool or stainless steel brushes.

- Avoid prolonged contact with chlorides, bromides, thiocyanates, and iodides on stainless steel equipment, especially if acid conditions exist.
- Do not permit salty solutions to evaporate and dry on stainless steel.
- The appearance of rust streaks on stainless steel leads to the belief that the stainless steel is rusting. Look for the actual source of the rust in some iron or steel particles which may be touching, but not actually a part of the stainless steel structure.

NOTE: Strongly acidic or caustic cleaners may attack the steel causing a reddish film to appear. The use of these cleaners should be avoided.