



LC500 Patient Care Unit, 29", Fixed Water Closet

- Combination Lavatory Water Closet Module
- Durable Epoxy-coated Stainless Steel Cabinetry
- Large, Conveniently Located Access Panels for Easy Installation and Maintenance

Specifications—Standard Equipment

Cabinet

Stationary cabinet is constructed of 14 gauge stainless steel and three access panels allow for easy installation and maintenance. Finish available in BradGlaze almond, white and gray. Cabinet includes integral 12" grab bar.

Countertop and Lavatory

Countertop with integral lavatory is furnished with Bone colored cultured marble or (stainless steel #4 polish). Countertop measures 10"x8"x6" deep. 10" rigid gooseneck faucet available as hot and cold deck mount with 4" wristblade handles (cultured marble top), hot and cold backsplash mount with 4" wristblade handles (stainless steel), deck mount spout with foot pedal control, deck mount infrared or deck mount battery infrared. Traps and stops complying with local codes to be furnished by plumbing contractor.

Toilet

Available in left or right side toilet configurations. Toilet is constructed entirely of 14 and 16 gauge stainless steel and will support a 5,000 lb. static load. Siphon jet type with elongated bowl, integral flushing rim, and remote-actuated hydraulic flushing system with push button. 25 PSI minimum is required for flushing. White seat with cover has self-sustaining hinge. Optional roll-away cover available in BradGlaze Almond, Gray or White, or polished stainless. A 1.6 gallon per flush (low flow) toilet is standard. Toilet assembly meets ANSI/ASME A112.19.2.

- 1.6 gpf is not available for use in California per California Energy Commission 20 CCR T. 20, Div. 2, §1601-1609.

Check Your Surroundings

Certain factors, such as intense direct sunlight, other infrared devices, or other site conditions may interfere with the activation of infrared faucets. Contact your local Bradley representative to discuss any application concerns.

- Standard product selections contained within this document are third party **CERTIFIED** to NSF/ANSI 372 meeting the Lead-Free content requirement. Any product configured with custom options will be **COMPLIANT** with NSF/ANSI 372 meeting the Lead-Free content requirement.



NOTE: LC500 with optional roll-away seat (left-hand configuration shown).

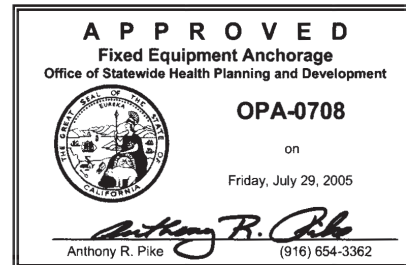
All Patient Care Units are non-cancelable and non-returnable because they are made to exact specifications for each order.



Certified to NSF/ANSI 372

Office of Statewide Health Planning and Development ANCHORAGE PRE-APPROVAL

Equipment Type: LavCare 500 Series Patient Care Module



Verify all rough-in dimensions prior to installation.

Consult local and national codes. Conformity and compliance to local and national codes is the responsibility of the installer.

Page 1 of 4 11/5/2018

This information is subject to change without notice.

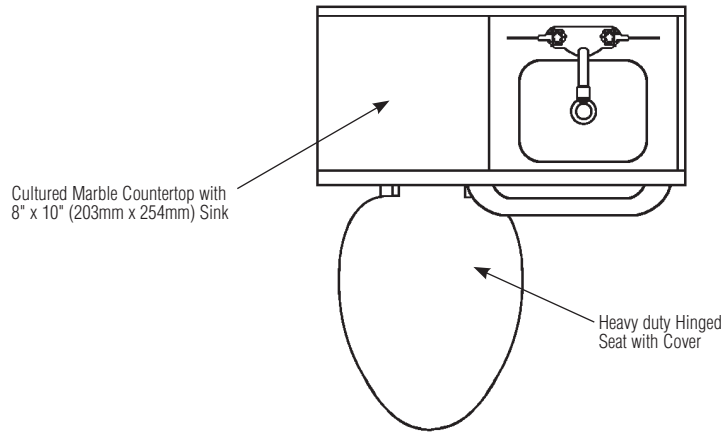
Bradley_PatientCare_LC500

© 2018 Bradley
P.O. Box 309, Menomonee Falls, WI 53052-0309
800 BRADLEY (800 272 3539) +1 262 251 6000
bradleycorp.com

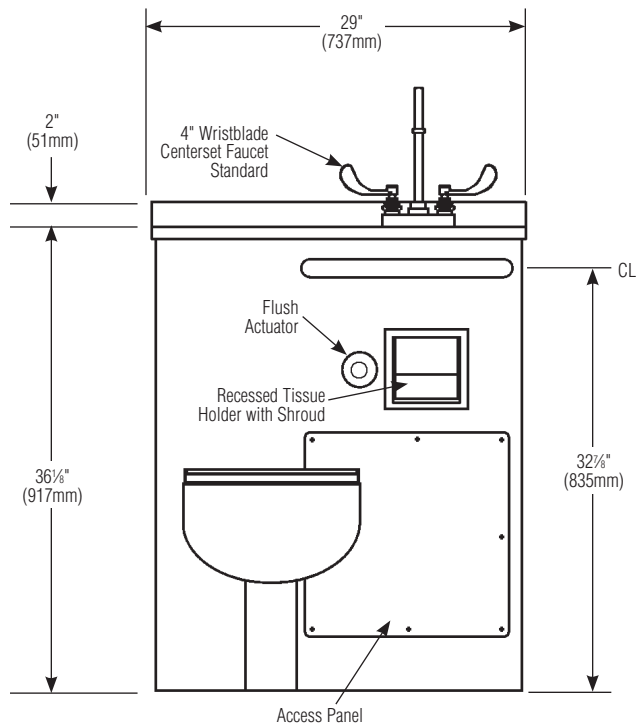


LC500 Patient Care Unit, 29", Fixed Water Closet

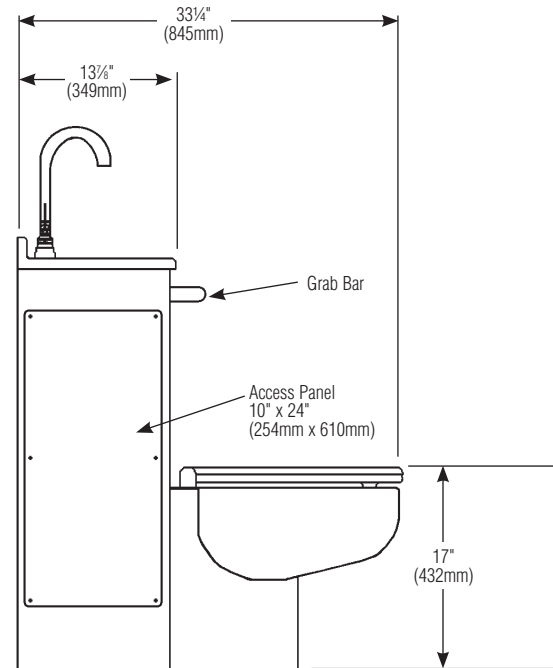
LEFT-HAND VERSION



TOP VIEW



FRONT VIEW



SIDE VIEW

Verify all rough-in dimensions prior to installation.

Consult local and national codes. Conformity and compliance to local and national codes is the responsibility of the installer.

Page 2 of 4

11/5/2018

This information is subject to change without notice.

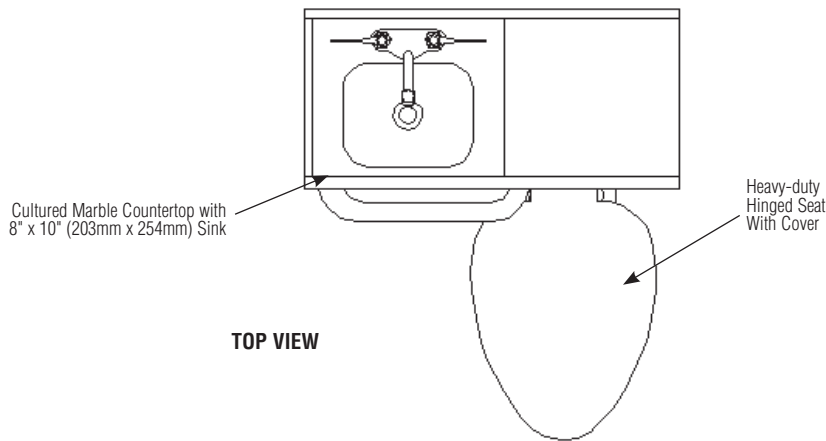
Bradley_PatientCare_LC500

© 2018 Bradley
P.O. Box 309, Menomonee Falls, WI 53052-0309
800 BRADLEY (800 272 3539) +1 262 251 6000
bradleycorp.com

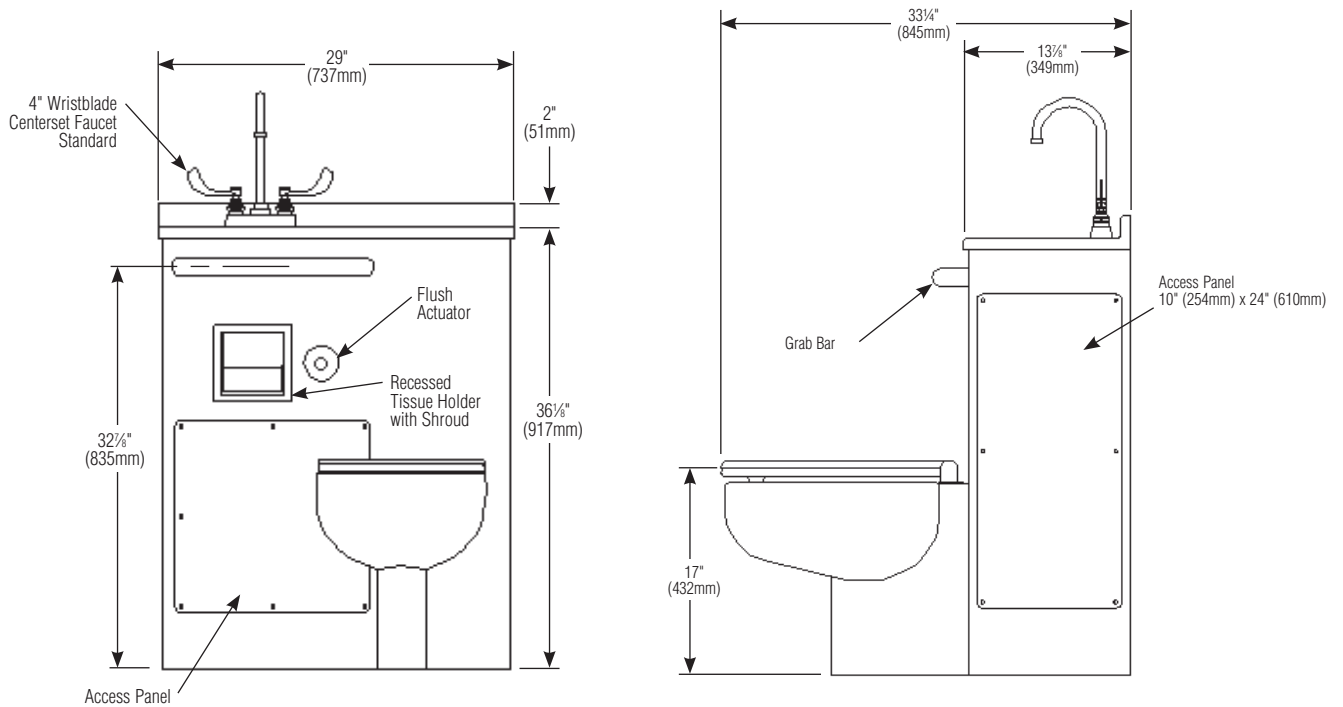


LC500 Patient Care Unit, 29", Fixed Water Closet

RIGHT-HAND VERSION



TOP VIEW



FRONT VIEW

SIDE VIEW

Verify all rough-in dimensions prior to installation.

Consult local and national codes. Conformity and compliance to local and national codes is the responsibility of the installer.

Page 3 of 4

11/5/2018

This information is subject to change without notice.

Bradley_PatientCare_LC500

© 2018 Bradley
P.O. Box 309, Menomonee Falls, WI 53052-0309
800 BRADLEY (800 272 3539) +1 262 251 6000
bradleycorp.com



LC500 Patient Care Unit, 29", Fixed Water Closet

Model	Description
<input type="checkbox"/> LC500	29" Patient Care Unit, Fixed Water Closet
Standard Selections	
Water Closet Location (select one)	
<input type="checkbox"/> LEFT	Left-Side
<input type="checkbox"/> RIGHT	Right-Side
Waste Outlet Type (select one)	
<input type="checkbox"/> WALL	Wall Waste Outlet
<input type="checkbox"/> FLOOR	Floor Waste Outlet
Waste Connection Type (select one)	
<input type="checkbox"/> 3NH	3" No-Hub Waste Connection
<input type="checkbox"/> 4NH	4" No-Hub Waste Connection
Cabinet Color (select one)	
<input type="checkbox"/> ALMND	BradGlaze Almond
<input type="checkbox"/> GRAY	BradGlaze Gray
<input type="checkbox"/> WHITE	BradGlaze White
<input type="checkbox"/> PS-CAB	Polished Stainless Steel*
Countertop Type (select one)	
<input type="checkbox"/> CM-BONE	Cultured Marble, Bone
<input type="checkbox"/> PS	Polished Stainless Steel* (stainless steel bowl included)
<input type="checkbox"/> NO-TOP	Less Countertop and Lavatory
Faucet Type** (select one)	
<input type="checkbox"/> WB	Gooseneck Faucet with wristblade handles†
<input type="checkbox"/> FP	Deck-Mounted Spout/Foot Pedal Control*
<input type="checkbox"/> IR-AC	Infrared Gooseneck Faucet*
<input type="checkbox"/> IR-DC	Infrared Gooseneck Faucet, Battery-Operated*
<input type="checkbox"/> SHANK	Centershank Drilling*
<input type="checkbox"/> 4"SET	4" Centerset Drilling*
<input type="checkbox"/> NFD	No Faucet/Drilling

Water Supply Type (select one)	
<input type="checkbox"/> TMA	TMA Navigator® Thermostatic Mixing Valve ‡
<input type="checkbox"/> NONE	No Mixing Valve
Bedpan Washer Type (select one)	
<input type="checkbox"/> BWVC	Bedpan Washer w/ Volume Control Valve §
<input type="checkbox"/> NONE	No Bed Pan
Backflow Preventer Type (must select one with Bedpan Washer)	
<input type="checkbox"/> S86-121L	Backflow preventer - Left Side Water Closet. Required w/ BWVC Bedpan Washer selections. Must order as separate line item and can be shipped in advance.
<input type="checkbox"/> S86-121R	Backflow Preventer - Right Side Water Closet. Required w/ BWVC Bedpan Washer selections. Must order as separate line item and can be shipped in advance.
Grab Bar Type (select one)	
<input type="checkbox"/> SDGB	Swing Down 30" Long
<input type="checkbox"/> WGB	Wall Mount 42" Long
<input type="checkbox"/> NONE	No Grab Bar
Roll-Away Cover Type (select one)	
<input type="checkbox"/> SSRC-A	Roll-Away Water Closet Cover/Exam Stool (BradGlaze Almond)
<input type="checkbox"/> SSRC-G	Roll-Away Water Closet Cover/Exam Stool (BradGlaze Gray)
<input type="checkbox"/> SSRC-W	Roll-Away Water Closet Cover/Exam Stool (BradGlaze White)
<input type="checkbox"/> SSRC-PS	Roll-Away Water Closet Cover/Exam Stool (Stainless Steel #4 Polish)
<input type="checkbox"/> NONE	No Roll Away Cover

- All Patient Care Units are non-cancelable and non-returnable because they are made to exact specifications for each order.
- Once you have determined your configuration, please contact your Bradley Representative for rough-in information.

*Infrared faucets, foot pedal and faucet drillings not available with **PS** countertop selection.

**Faucets and drillings available only when countertop has been selected.

†Faucet with wristblade handles is deckmounted when Cultured Marble top is selected and mounted to the backsplash when Polished Stainless Steel top is selected.

‡Required and only available with faucet type IR-AC and IR-DC.

§ Backflow preventer required with bedpan washer selection.

Verify all rough-in dimensions prior to installation.

Consult local and national codes. Conformity and compliance to local and national codes is the responsibility of the installer.

Page 4 of 4

11/5/2018

This information is subject to change without notice.

Bradley_PatientCare_LC500

© 2018 Bradley
 P.O. Box 309, Menomonee Falls, WI 53052-0309
 800 BRADLEY (800 272 3539) +1 262 251 6000
 bradleycorp.com