

---

# Installation and Maintenance Instructions

---

## Bradley's LavCare™ 500 Series Patient Care Module Models LC500 R/F and R/W)

### Table of Contents

Pre-Installation Information	.....2
LC500 Components and Dimensions	.....3
LC500 R/F (floor waste) Rough-Ins	.....4
LC500 R/W (wall waste) Rough-Ins	.....5
Installation Instructions	.....6-10
Cleaning and Maintenance	.....11



## Pre-Installation Information



### IMPORTANT

- Read this entire instruction sheet to ensure proper installation.
- Flush all the water supply lines before making connections.
- File these instructions with the owner or maintenance department.

### Overview

The Bradley LavCare™ module is a patient water closet and lavatory station in one unit. The unit has three access panels for ease of installation and maintenance. The LC500 countertop is made from cultured marble and the water closet is stainless steel.

### Supplies required for installation:

- (6) wall anchors and bolts to secure cabinet to wall at 3/4" mounting holes
- Steel angles and hardware for anchoring the water closet (if concrete is lightweight or less than 4" thick)
- 4" floor/wall closet waste connection fittings
- Shims (for water closet or cabinet installation, if necessary)
- Supply piping to water closet and faucet or foot valve
- Waste outlet piping to water closet
- P-trap and drain piping
- Silicone caulk

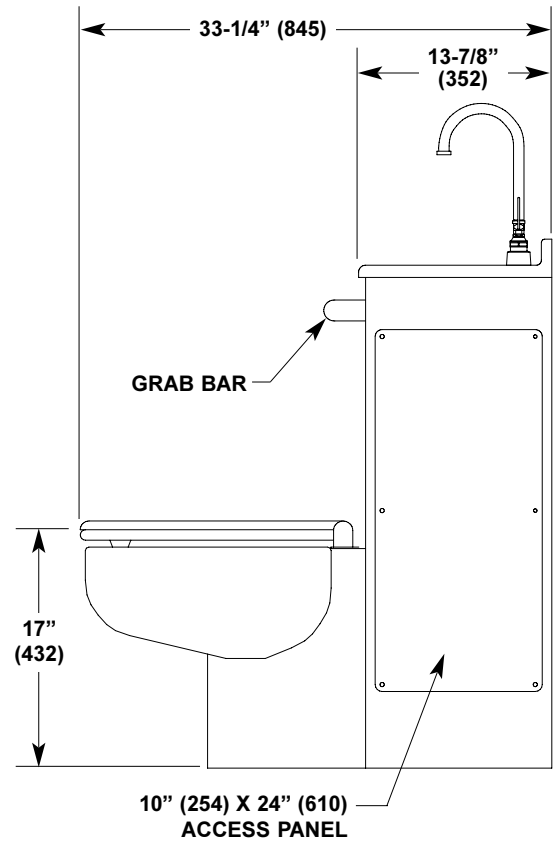
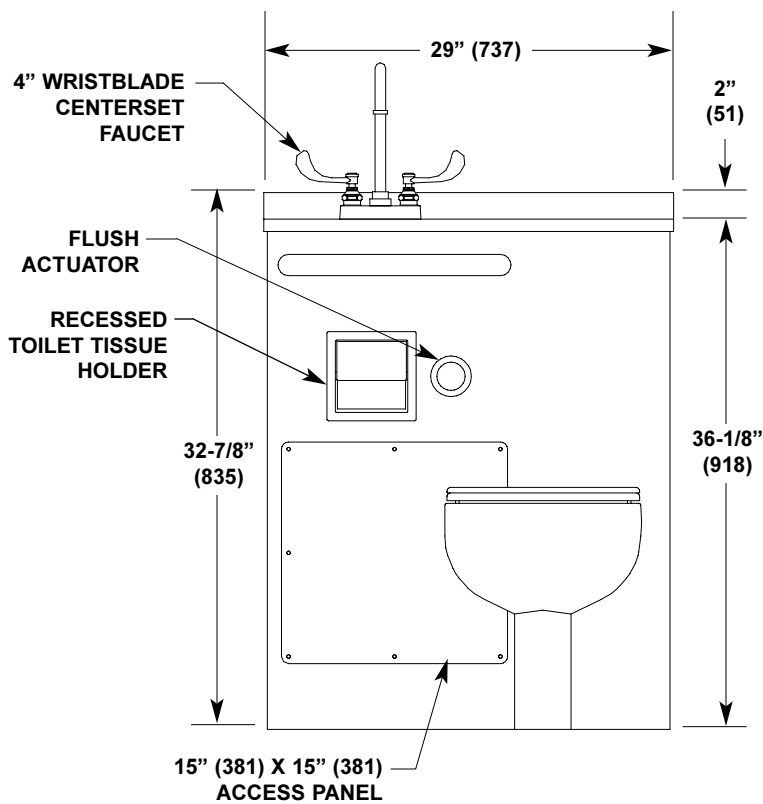
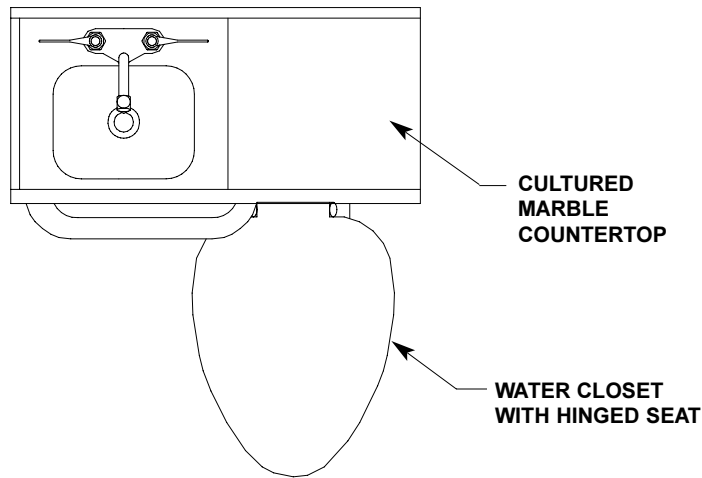
### Bradley LavCare™ 500 Module Warranty Information

Bradley Corporation warrants to commercial and institutional purchasers only each unit free from defects in material and workmanship under normal use and service upon the following terms and conditions:

1. This warranty is limited to replacing or repairing, at our option, transportation charges prepaid by the purchaser, any Bradley unit or part thereof which our inspection shall show to have been defective within the limitations of this warranty.
2. The period during which LC500 components are warranted is one (1) year, measured from the date of our invoice.
3. This warranty does not cover installation or any other labor charges and does not apply to any units which have been damaged by accident, abuse, improper installation or improper maintenance.
4. The replacement or repair of defective units as stated in this warranty shall constitute the sole remedy of the purchaser and the sole liability of Bradley Corporation under this warranty. Bradley Corporation shall not otherwise be liable under any indirect damages caused by defects in the repair or replacement thereof.
5. This warranty extends only to commercial and institutional purchaser and does not extend to any others, including consumer customers of commercial institutional purchasers.
6. This warranty is in lieu of all other warranties, expressed or implied, including any implied warranty of merchantability or fitness for a particular purpose or otherwise.

# LC500 Components and Module Dimensions

(MM)



## Installation Instructions

### Step 1: Rough-in supply, drain and waste piping

*NOTE: Use Submittal drawing when roughing in the LC500. For modules with foot pedal option or for retrofit installations, refer to special rough-ins included with your LC500 module.*



**IMPORTANT: Flush the supply lines before making connections. Debris in supply lines can cause the valves to malfunction.**

1. Rough in supply, drain and waste piping to the LC500 module as required for your installation.

### LC500 R/F (floor waste)

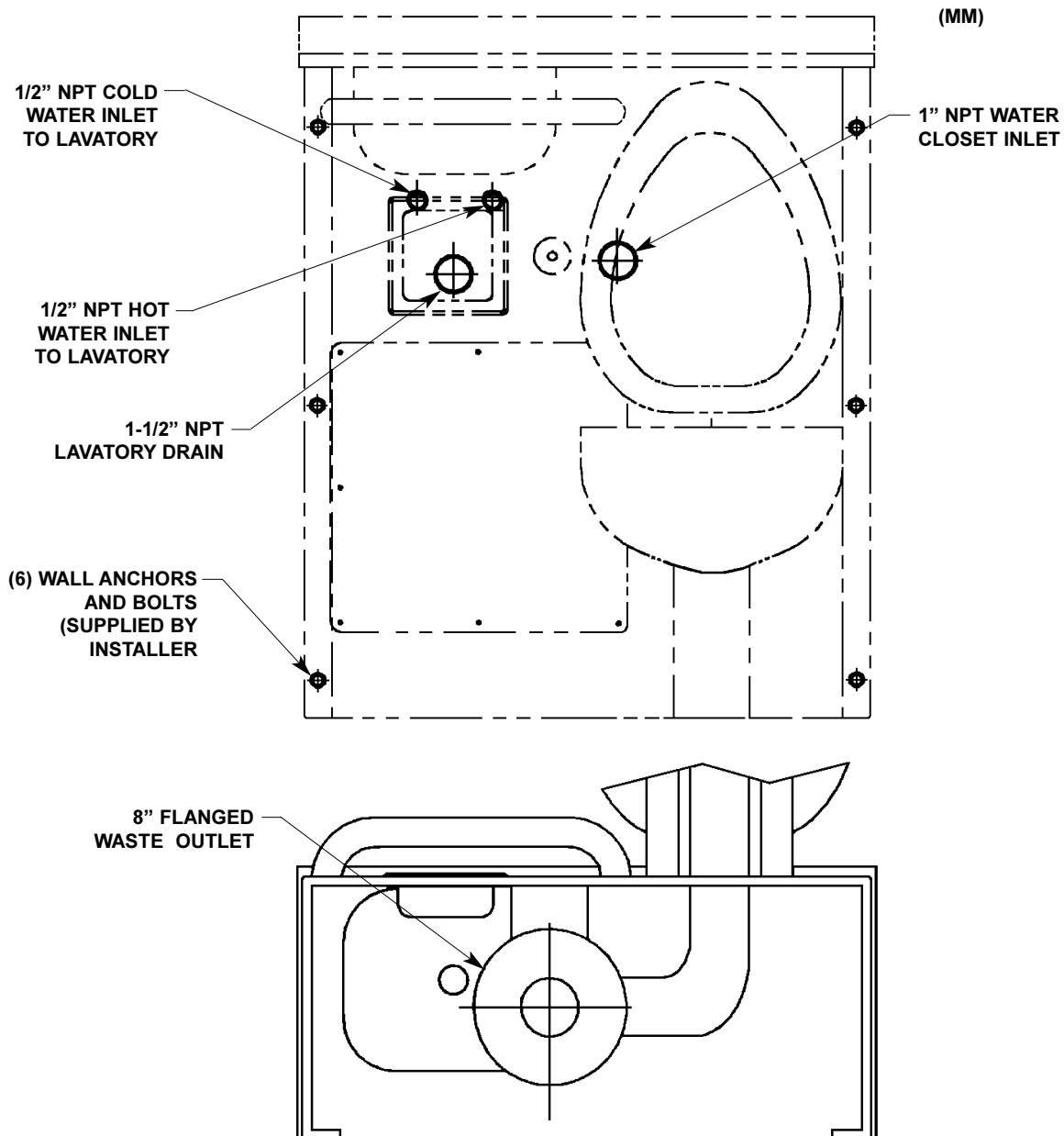


Figure 1a

### LC500 R/W (wall waste)

*NOTE: For modules with foot pedal option or for retrofit installations, refer to special rough-ins included with your LC500 module.*

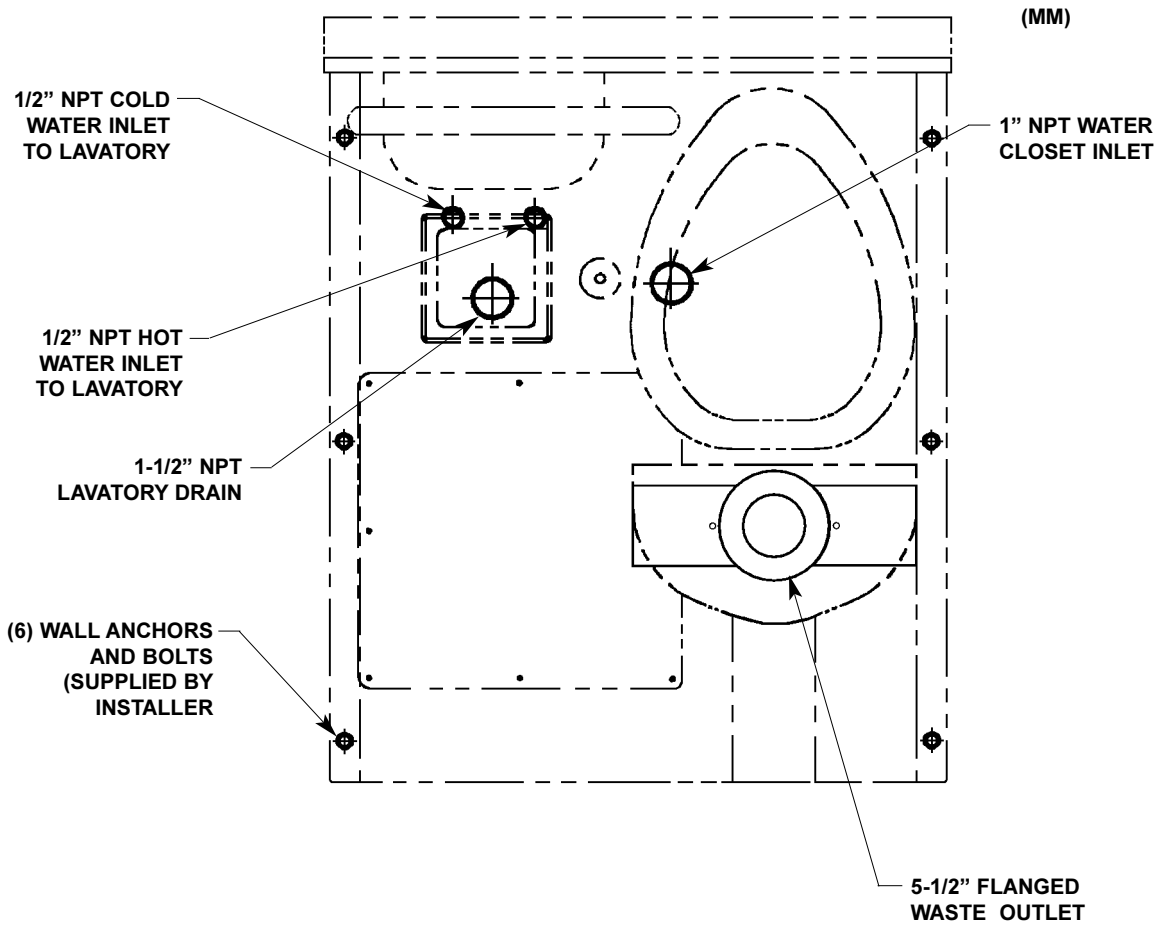


Figure 1b

Installation Instructions *continue . . .*

## Installation Instructions *continued* . . .

### Step 2: Install wall and floor anchors



**WARNING:**

All mounting hardware provided is essential in properly anchoring the fixture. Bradley cannot assume any responsibility for personal injury or damage to equipment due to an improperly installed LC500 module.

1. Remove the #10-24 screws from the three access panels (one on each side and one on the front) and lift off the panels (see Figure 2a/2b). Set the screws and access panels aside.
2. Position the LC500 module in place against the wall and piping. Mark the locations for the six wall anchors on the wall and the two water closet anchors on the floor (see Figure 2a/2b).
3. Set the LC500 module aside and install six wall anchors (supplied by installer) at the locations marked in #2 above.
4. Using a 5/8" concrete drill bit, drill two 2-1/8" deep holes into the water closet anchoring locations (see Figures 2a/2b and 3). Holes must be clean and free of debris.
5. Drive the two 2-1/8" anchors provided into the drilled holes for the water closet using the setting tool (provided) and a hammer. The anchor should be driven in flush with the floor (see Figure 3).

*NOTE: If the floor concrete is lightweight or less than 4" thick, Bradley recommends through-bolting to steel angles under the floor (hardware supplied by installer) (see Figure 4).*

6. Install the 2" threaded studs provided into the four 2-1/8" anchors installed in #5 above.

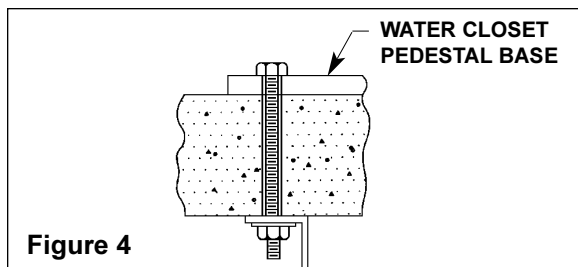


Figure 4

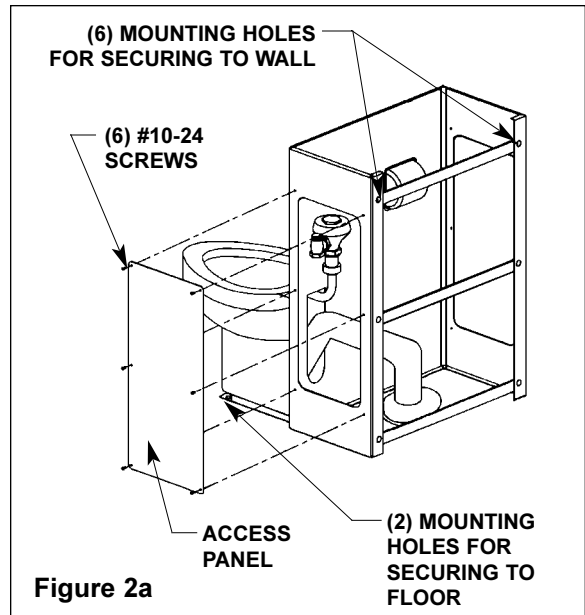


Figure 2a

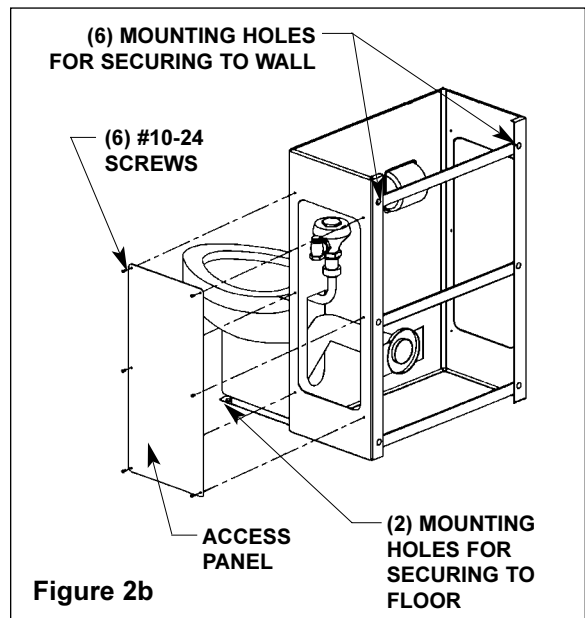


Figure 2b

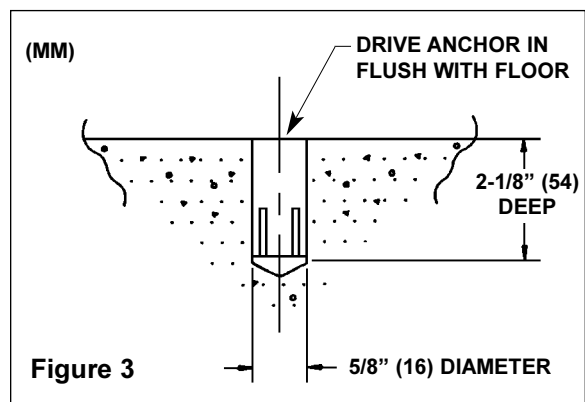


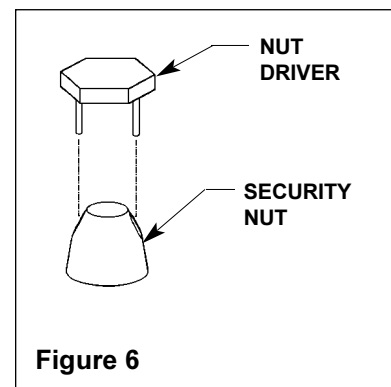
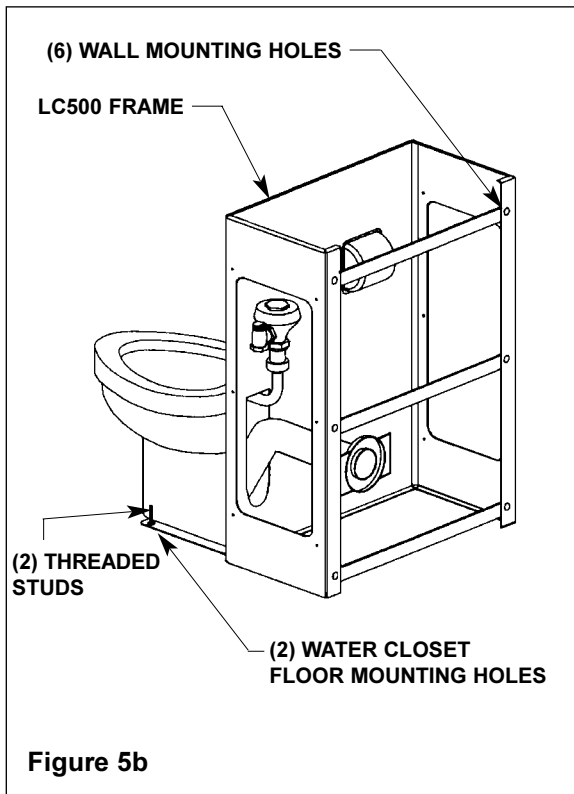
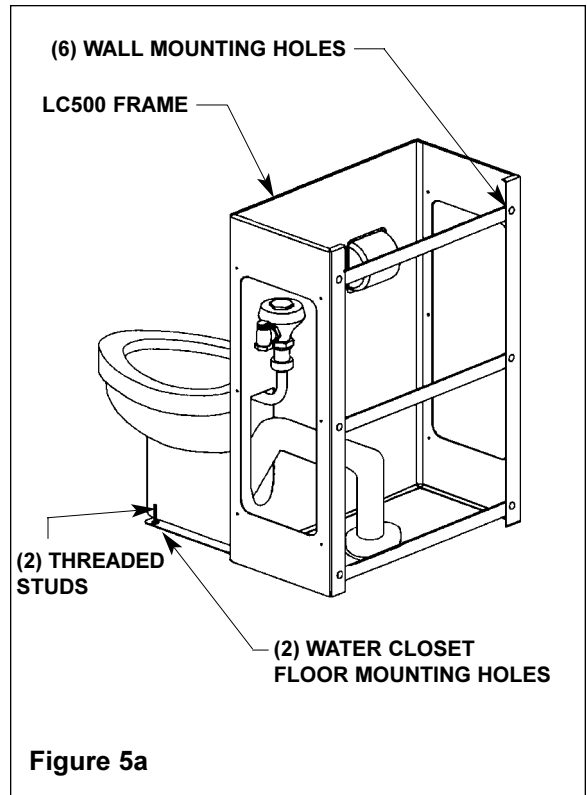
Figure 3

Installation Instructions *continue* . . .

**Installation Instructions *continued* . . .**

**Step 3: Install the LC500 cabinet**

1. Position the module against the wall and align the mounting holes in the frame with the wall anchors. The water closet floor mounting holes should be placed over the threaded studs installed in Step 2 on page 6 (see Figure 5a/5b).
2. Secure the cabinet to the back wall using six bolts (supplied by installer).
3. Bolt the water closet to the threaded studs on the floor using the security nuts and driver provided (see Figures 5a/5b and 6).



**Installation Instructions *continue* . . .**

### Step 4: Make water closet supply inlet and waste connections

*NOTE: If the waste outlet goes through the back wall, a no-hub-type connector may be used (the connector is available as an option from your Bradley representative) (see Figure 7).*

1. Connect the flush valve water supply piping to the flush valve's 1" NPT inlet (piping supplied by installer).
2. Connect the water closet waste piping to the floor waste outlet or wall waste outlet (using a waste outlet connection fitting supplied by installer) (see Figure 8a/8b).

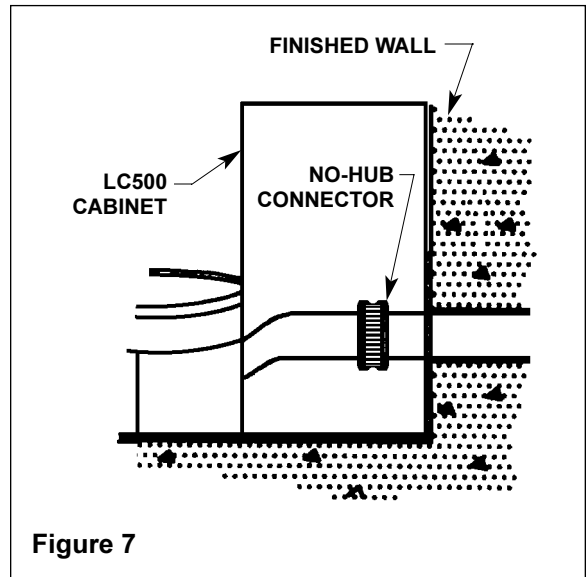


Figure 7

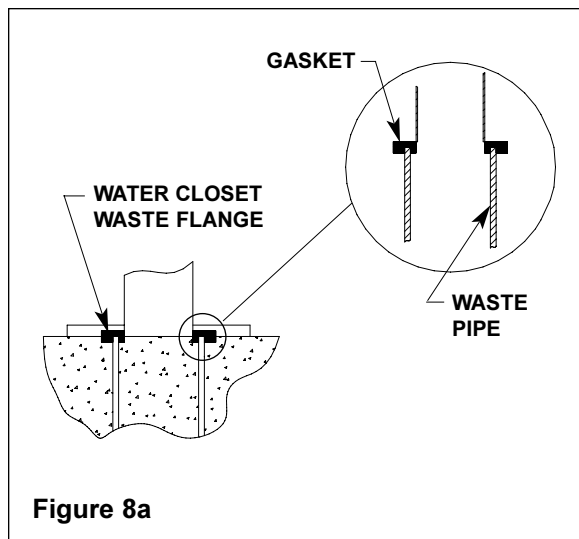


Figure 8a

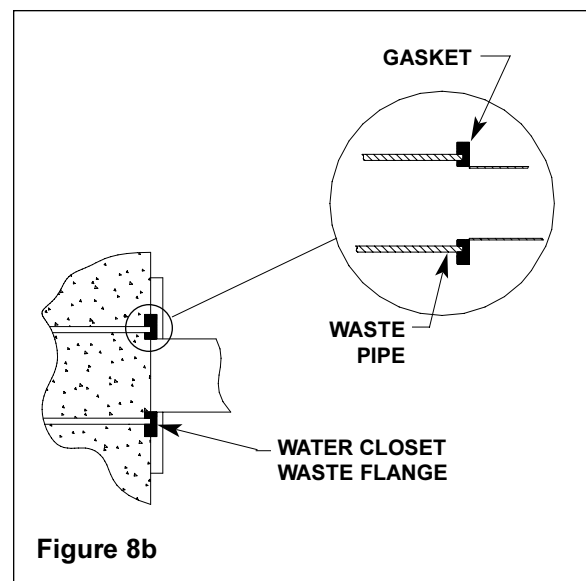


Figure 8b

Installation Instructions *continue . . .*



**Installation Instructions** *continued . . .***Step 5: Install the countertop to the cabinet**

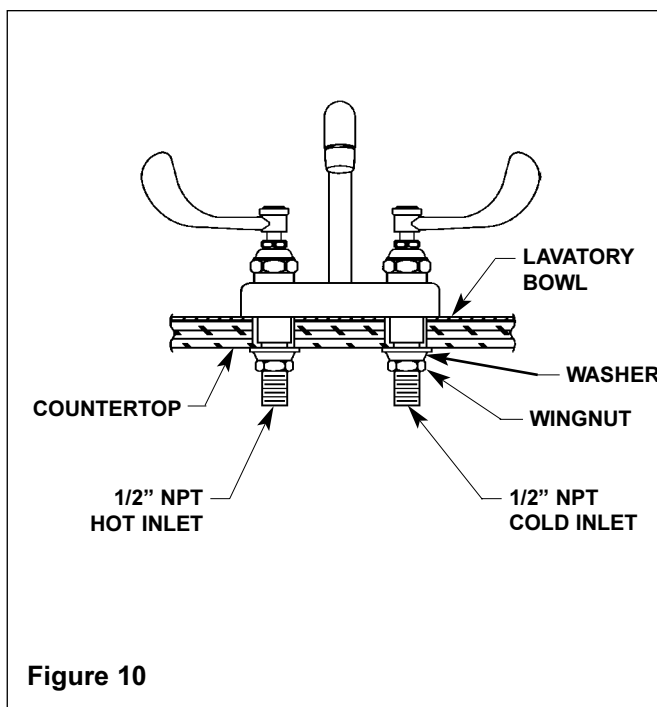
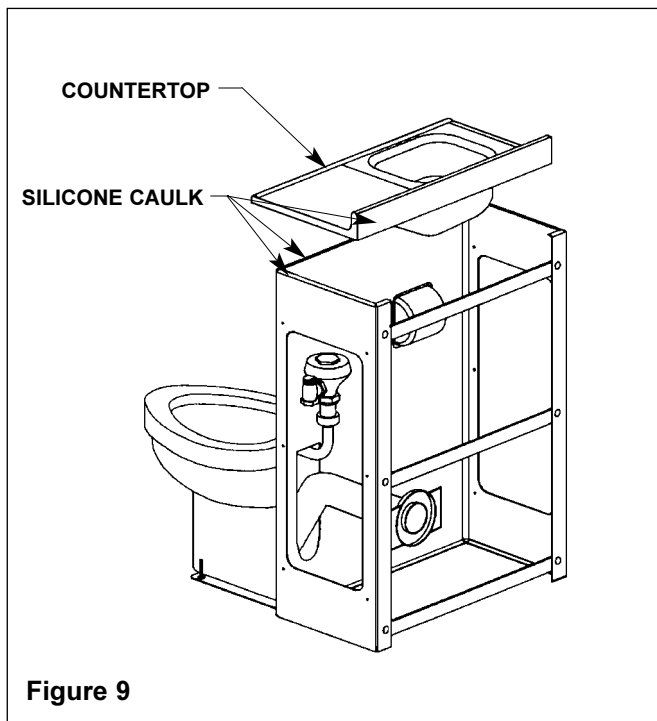
1. Apply a bead of silicone caulk (supplied by installer) around the top edge of the cabinet and between the countertop and the wall (see Figure 9).
2. Set the countertop in place on the cabinet.
3. Clean up any excess caulk around the edge of the countertop.

**Step 6a: Install faucet (with wrist-blade faucet valve) and connect water supply**

*NOTE: On LC500 models with the foot valve faucet, refer to step 6b found on page 10. On LC500 models with the optional Futura™ faucet, use installation instructions specifically for the Futura™ faucet when installing the faucet and making the electrical connections.*

*NOTE: To make supply connections easier, remove the access panels first.*

1. Place the faucet onto the countertop, gently inserting the two faucet supply shanks through the holes provided in the lavatory bowl (see Figure 10).
2. Install the two washers provided onto the supply shanks from beneath the countertop. Secure the washers and the faucet to the countertop with the two wingnuts provided (see Figure 10).
3. Connect the hot and cold water supplies to the faucet's 1/2" NPT hot and cold supply inlets (piping supplied by installer) (see Figure 10).
4. Install the P-trap (supplied by installer) to the sink's 1-1/4" O.D. drain pipe
5. Connect the P-trap to the 1-1/4" NPT drain pipe from the wall (piping supplied by installer).

**Installation Instructions** *continue . . .*

## Installation Instructions *continued* . . .

### Step 6b: Install faucet (with foot valve) and connect water supply

*NOTE: On LC500 models with the wristblade faucet valve, refer to step 6a found on page 9. On LC500 models with the optional Futura™ faucet, use installation instructions specifically for the Futura™ faucet when installing the faucet and making the electrical connections.*

*NOTE: To make supply connections easier, remove the access panels first.*

1. Place the faucet onto the countertop, gently inserting the two faucet supply shanks through the holes provided in the lavatory bowl (see Figure 11).
2. Install the two washers provided onto the supply shanks from beneath the countertop. Secure the washers and the faucet to the countertop with the two wingnuts provided (see Figure 11).
3. Connect one end of the flexible supply hose provided to the supply shank (see Figure 11).
4. Connect the other end of the supply hose to the foot valve outlet connection (see Figure 12).
5. Secure the foot valve to the floor using anchors and bolts (supplied by installer).
6. Connect the hot and cold water supply (piping supplied by installer) to the 1/2" NPT inlet connectors on the foot valve (see Figure 12).

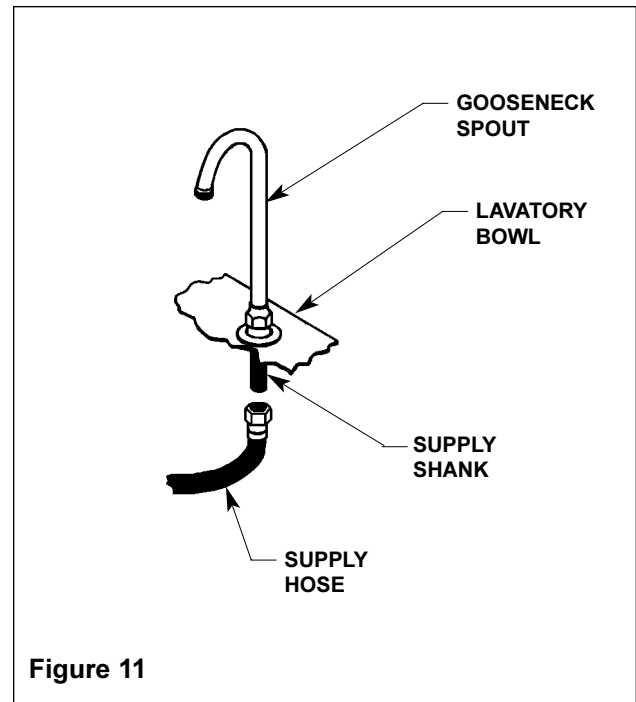


Figure 11

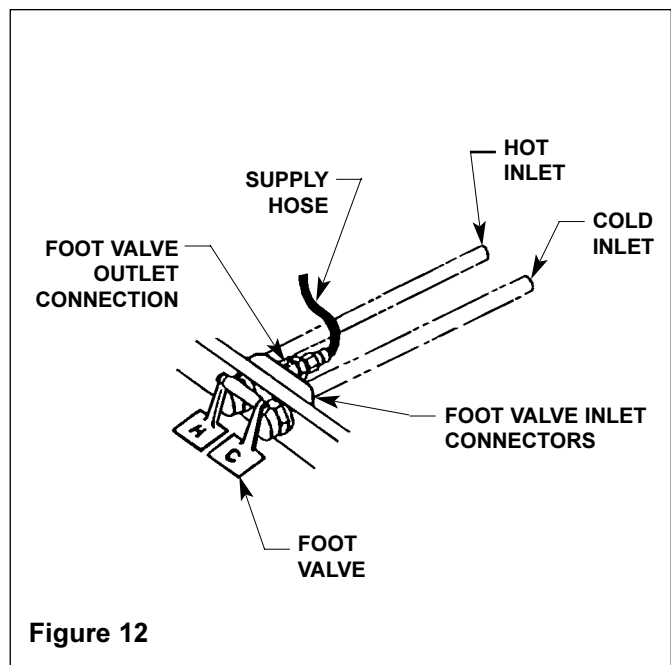


Figure 12

### Step 7: Complete installation

1. Turn on the water supplies to your LC500 module and check for leaks.
2. Activate the faucet and flush the valve several times to purge the air from the supply lines.
3. Secure the three access panels to the LC500 with the screws provided.

Installation Instructions *continue* . . .

## LC500 Module Cleaning and Maintenance

Regular cleaning greatly prolongs the service life of stainless steel and Brad-glazed fixtures and, at the same time, helps to maintain a pleasing surface appearance. The amount and frequency of cleaning depends on the service conditions involved. For best results, fixtures should be cleaned as often as films or deposits become apparent. This will remove built-up deposits which may eventually cause concentration cells to set on the surface.



**CAUTION: USING CLEANERS THAT CONTAIN HARSH CHEMICALS, ABRASIVES, ACIDS OR DISINFECTANTS, OR CLEANING WITH STEEL WOOL OR BRUSHES, WILL RESULT IN DAMAGE TO THE FIXTURE'S SURFACE. ALWAYS READ THE LABEL ON ANY CLEANING PRODUCT BEFORE APPLYING TO YOUR BRAD-GLAZED OR STAINLESS STEEL FIXTURE.**

Cleanliness is of utmost importance. Ordinary deposits of dirt and grease can be quickly removed with soap and water. To properly clean your LC500,

- give the Brad-glazed fixture a thorough cleaning with a non-abrasive liquid tub-and-tile cleaner to remove soil and maintain the glossy finish

You may safely use the following cleaners\*:

Formula 409®	Spic and Span® Powder
Liquid Comet®	Mr. Clean®
Soft Scrub®	Windex®
Glass Plus®	

**DO NOT** use the following:

Whitecap®	Lysol® Disinfectant Spray
Lestoil®	Dow® Disinfectant Bathroom Cleaner
Pinesol®	acetone
alcohol	steel wool/steel brushes

- remove all material and deposits that tend to adhere to the Brad-glazed surface, taking special note of crevices and corners
- remove all material and deposits that tend to adhere to the stainless steel surface with stainless steel polishing powder (always rub in the direction of the polishing lines)
- check for rust spots or streaks on the stainless steel surface and look for the source of the rust (a steel nail located in some iron or steel not actually a part of the stainless steel fixture may be the cause)
- rinse the Brad-glazed and stainless steel surfaces thoroughly and dry completely after washing.

*\*NOTE: Use of proprietary cleanser names is intended only to suggest a type of cleanser and does not constitute endorsement. Omission of any proprietary cleanser name is not meant to imply its inadequacy.*