

---

# Installation and Maintenance Instructions

---

## Bradley's LavCare™ 500 Series Patient Care Module (Models LC500 SS R/F and SS R/W)

### Table of Contents

Pre-Installation Information .....	2
LC500 Components and Dimensions .....	3
Installation Instructions .....	4-9
Cleaning and Maintenance .....	9



## Pre-Installation Information

### **IMPORTANT**

- **Read this entire instruction sheet to ensure proper installation.**
- **Flush all the water supply lines before making connections.**
- **File these instructions with the owner or maintenance department.**

### **Overview**

The Bradley LavCare™ module is a patient water closet and lavatory station in one unit. The unit has three access panels for ease of installation and maintenance. The LC500 countertop and the water closet are stainless steel.

### **Supplies required for installation:**

- (6) wall anchors and bolts to secure cabinet to wall at 3/4" mounting holes
- Steel angles and hardware for anchoring the water closet (if concrete is lightweight or less than 4" thick)
- 4" floor/wall closet waste connection fittings
- Shims (for water closet or cabinet installation, if necessary)
- Supply piping to water closet and faucet
- Waste outlet piping to water closet
- P-trap and drain piping
- Silicone caulk

### **Bradley LavCare™ 500 Module Warranty Information**

Bradley Corporation warrants to commercial and institutional purchasers only each unit free from defects in material and workmanship under normal use and service upon the following terms and conditions:

1. This warranty is limited to replacing or repairing, at our option, transportation charges prepaid by the purchaser, any Bradley unit or part thereof which our inspection shall show to have been defective within the limitations of this warranty.
2. The period during which LC500 components are warranted is one (1) year, measured from the date of our invoice.
3. This warranty does not cover installation or any other labor charges and does not apply to any units which have been damaged by accident, abuse, improper installation or improper maintenance.
4. The replacement or repair of defective units as stated in this warranty shall constitute the sole remedy of the purchaser and the sole liability of Bradley Corporation under this warranty. Bradley Corporation shall not otherwise be liable under any indirect damages caused by defects in the repair or replacement thereof.
5. This warranty extends only to commercial and institutional purchaser and does not extend to any others, including consumer customers of commercial institutional purchasers.
6. This warranty is in lieu of all other warranties, expressed or implied, including any implied warranty of merchantability or fitness for a particular purpose or otherwise.

# LC500 Components and Module Dimensions

(MM)

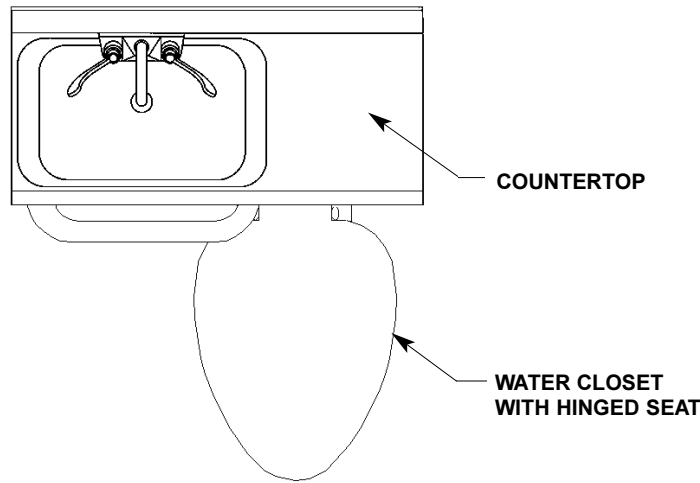


Figure 1-Top

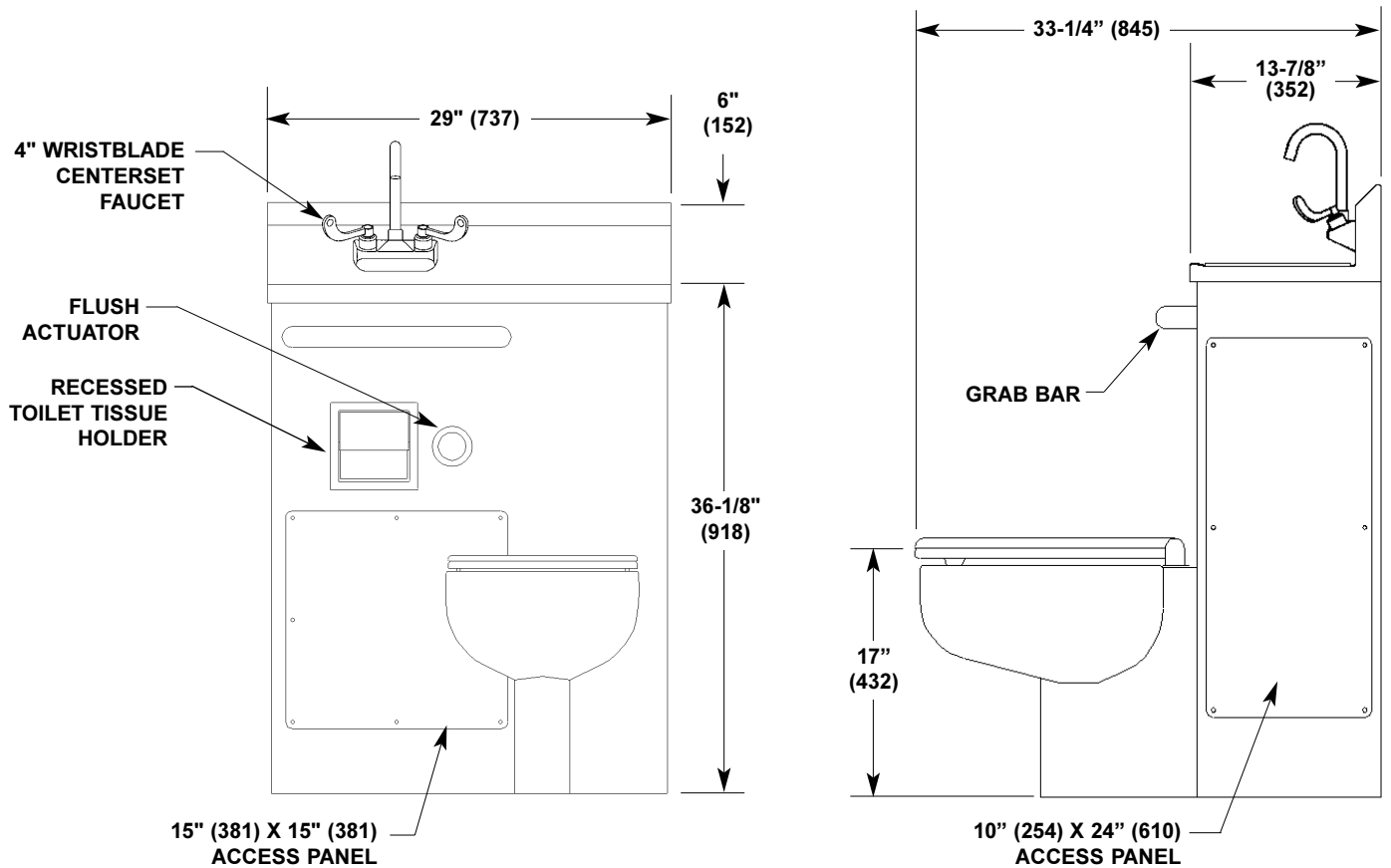


Figure 1-Front

Figure 1-Side

## Installation Instructions

### Step 1: Rough-in supply, drain and waste piping

*NOTE: Use Submittal drawing when roughing in the LC500.*



**IMPORTANT: Flush the supply lines before making connections. Debris in supply lines can cause the valves to malfunction.**

1. Rough in supply, drain and waste piping to the LC500 module as required for your installation.

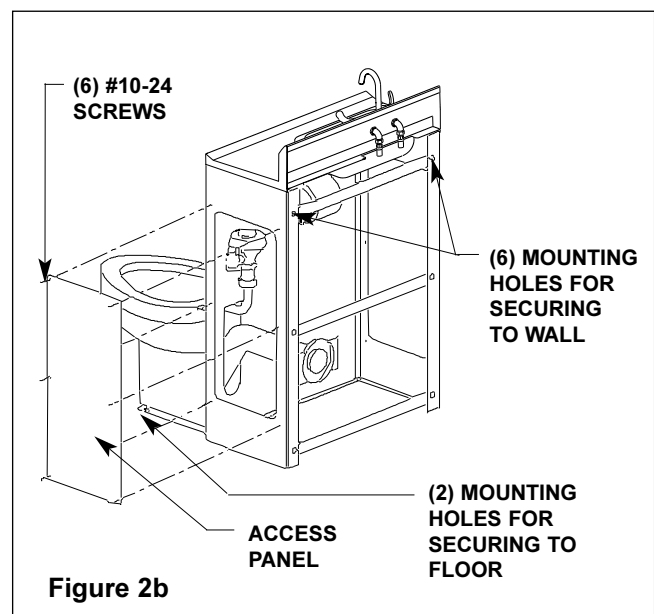
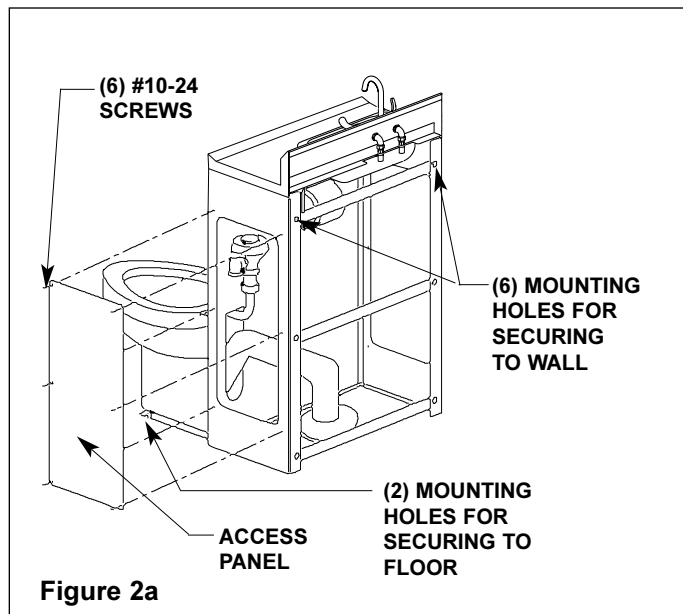
### Step 2: Install wall and floor anchors



**WARNING:**

**All mounting hardware provided is essential in properly anchoring the fixture. Bradley cannot assume any responsibility for personal injury or damage to equipment due to an improperly installed LC500 module.**

1. Remove the #10-24 screws from the three access panels (one on each side and one on the front) and lift off the panels (see Figure 2a/2b). Set the screws and access panels aside.
2. Position the LC500 module in place against the wall and piping. Mark the locations for the six wall anchors on the wall and the two water closet anchors on the floor (see Figure 2a/2b).
3. Set the LC500 module aside and install six wall anchors (supplied by installer) at the locations marked in #2 above.
4. Using a 5/8" concrete drill bit, drill two 2-1/8" deep holes into the water closet anchoring locations (see Figures 2a/2b and 3). Holes must be clean and free of debris.



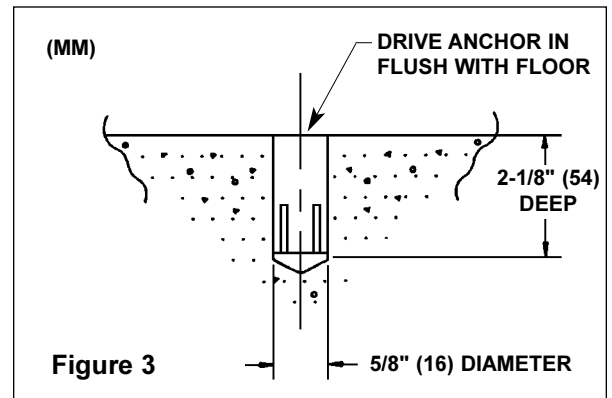
Installation Instructions *continue . . .*

**Installation Instructions *continued* . . .**

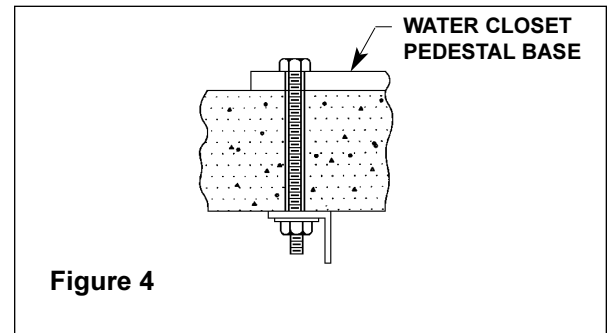
5. Drive the two 2-1/8" anchors provided into the drilled holes for the water closet using the setting tool (provided) and a hammer. The anchor should be driven in flush with the floor (see Figure 3).

*NOTE: If the floor concrete is lightweight or less than 4" thick, Bradley recommends through-bolting to steel angles under the floor (hardware supplied by installer) (see Figure 4).*

6. Install the 2" threaded studs provided into the four 2-1/8" anchors installed in #5 above.

**Figure 3****Step 3: Install faucet (with wristblade faucet valve)**

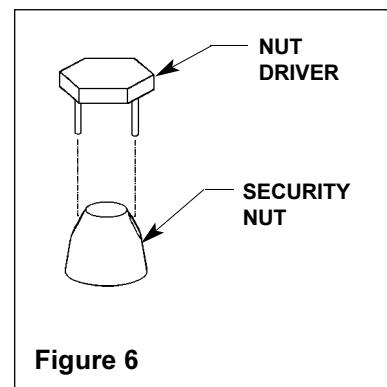
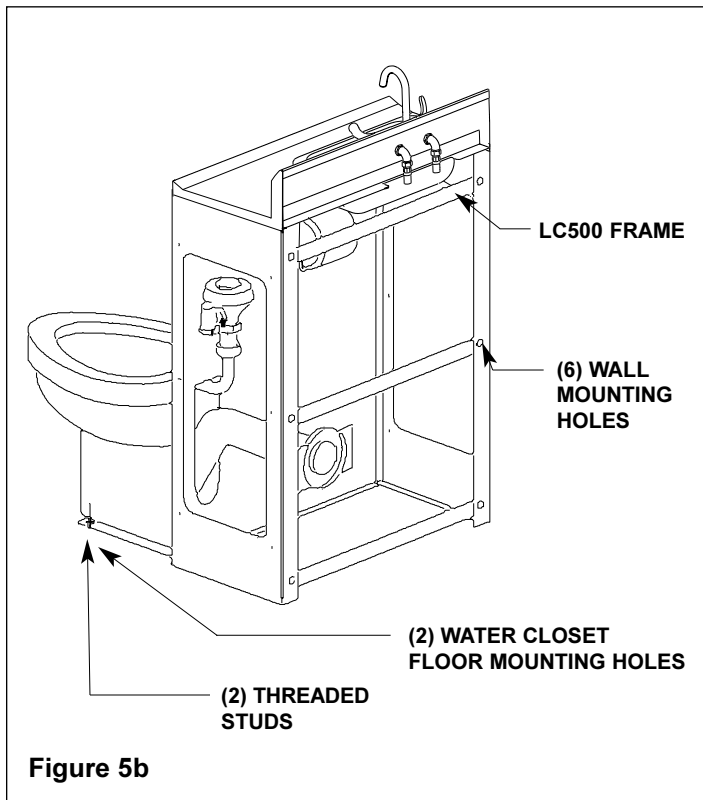
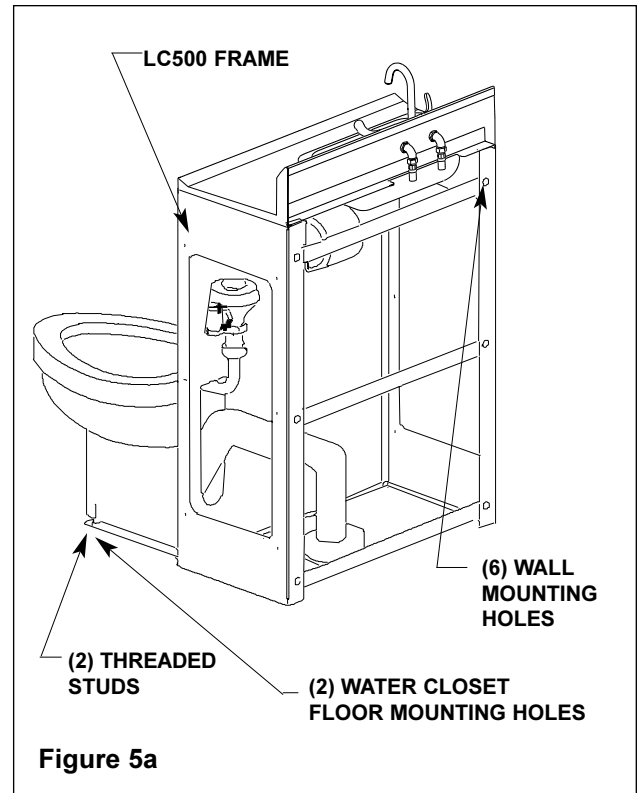
1. Place the faucet onto the countertop, gently inserting the two faucet supply shanks through the holes provided in the lavatory bowl.
2. Install the two washers provided onto the supply shanks. Secure the washers and the faucet to the countertop with the two wingnuts provided.
3. Connect the 90° elbows to the inlets and the hoses provided to the elbows.

**Figure 4**

## Installation Instructions *continued* . . .

### Step 4: Install the LC500 cabinet

1. Position the module against the wall and align the mounting holes in the frame with the wall anchors. The water closet floor mounting holes should be placed over the threaded studs installed in Step 2 on page 4 (see Figure 2a/2b).
2. Secure the cabinet to the back wall using six bolts (supplied by installer).
3. Bolt the water closet to the threaded studs on the floor using the security nuts and driver provided (see Figures 5a/5b and 6).

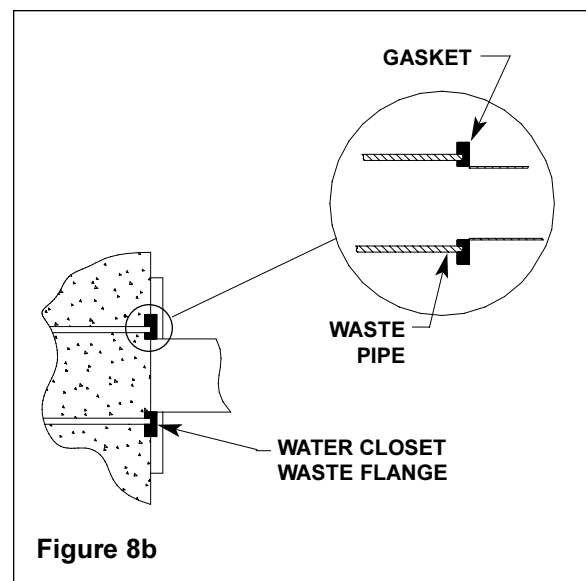
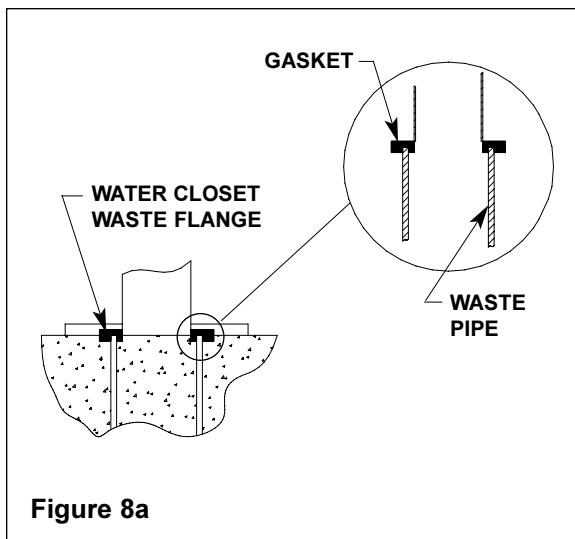
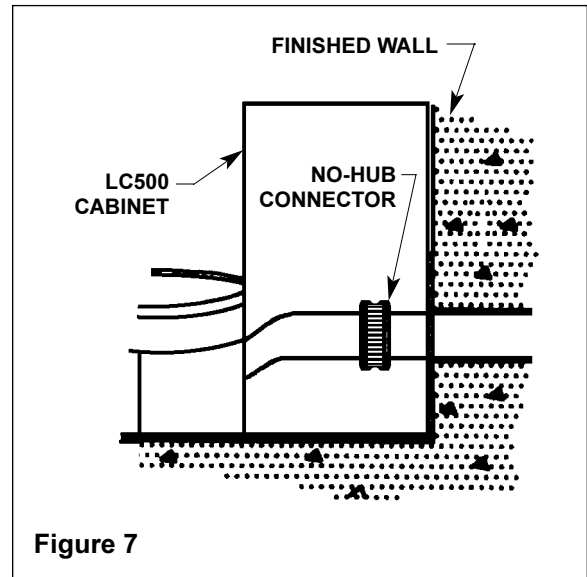


Installation Instructions *continue* . . .

### Step 5: Make water closet supply inlet and waste connections

*NOTE: If the waste outlet goes through the back wall, a no-hub-type connector may be used (the connector is available as an option from your Bradley representative) (see Figure 7).*

1. Connect the flush valve water supply piping to the flush valve's 1" NPT inlet (piping supplied by installer).
2. Connect the water closet waste piping to the floor waste outlet or wall waste outlet (using a waste outlet connection fitting supplied by installer) (see Figure 8a/8b).



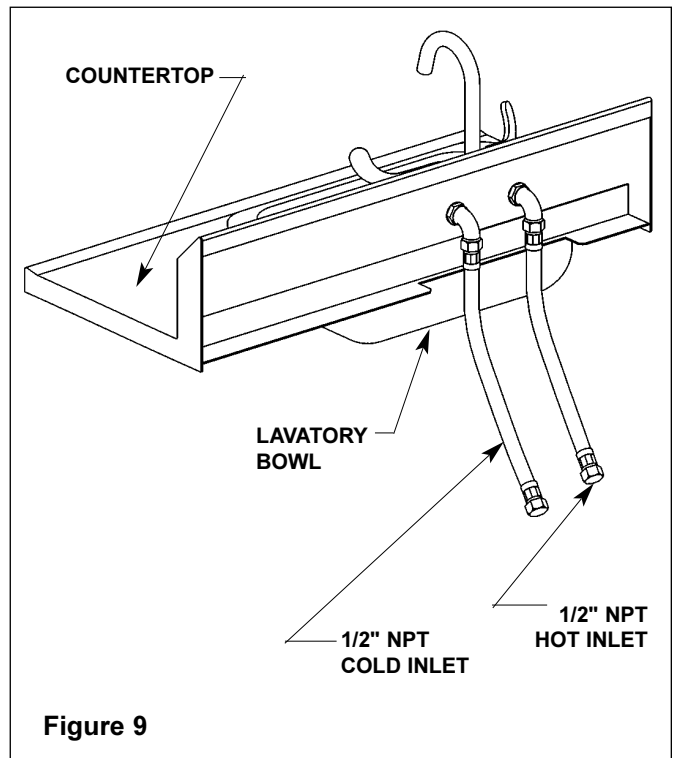
Installation Instructions *continue . . .*

## Installation Instructions *continued . . .*

### Step 6: Connect water supply

*NOTE: To make supply connections easier, remove the access panels first.*

1. Connect the hot and cold water supplies to the faucet's 1/2" NPT hot and cold supply hoses (piping supplied by installer) (see Figure 9).
2. Install the P-trap (supplied by installer) to the sink's 1-1/4" O.D. drain pipe
3. Connect the P-trap to the 1-1/4" NPT drain pipe from the wall (piping supplied by installer).



Installation Instructions *continue . . .*



## Installation Instructions *continued* . . .

### Step 7: Complete installation

1. Turn on the water supplies to your LC500 module and check for leaks.
2. Activate the faucet and flush the valve several times to purge the air from the supply lines.
3. Secure the three access panels to the LC500 with the screws provided.

## LC500 Module Cleaning and Maintenance

Regular cleaning greatly prolongs the service life of stainless steel and, at the same time, helps to maintain a pleasing surface appearance. The amount and frequency of cleaning depends on the service conditions involved. For best results, fixtures should be cleaned as often as films or deposits become apparent. This will remove built-up deposits which may eventually cause concentration cells to set on the surface.



**CAUTION: USING CLEANERS THAT CONTAIN HARSH CHEMICALS, ABRASIVES, ACIDS OR DISINFECTANTS, OR CLEANING WITH STEEL WOOL OR BRUSHES, WILL RESULT IN DAMAGE TO THE FIXTURE'S SURFACE. ALWAYS READ THE LABEL ON ANY CLEANING PRODUCT BEFORE APPLYING TO YOUR STAINLESS STEEL FIXTURE.**

Cleanliness is of utmost importance. Ordinary deposits of dirt and grease can be quickly removed with soap and water. To properly clean your LC500,

- Check for rust spots or streaks on the stainless steel surface and look for the source of the rust (a steel nail located in some iron or steel not actually a part of the stainless steel fixture may be the cause)
- Rinse the stainless steel surfaces thoroughly and dry completely after washing.