



LC750

Patient Care Unit, 47", Pivot Water Closet, Bedpan Washer

- Combination Lavatory Water Closet Module
- Waste Outlet—Wall or Floor Discharge
- Stainless Steel Toilet & Base
- Durable O-Ring Construction
- Side-Mounted Bedpan Washer
- Meets Low Flow Flushing Requirements
- Stainless Steel Toe Kicks

Specifications—Standard Equipment

Cabinet

Frame is stainless steel and requires floor anchoring. Cabinet exterior is ¾" plywood with laminate finish in Wilsonart #1531-60 Light Beige. Interior finishes are laminate and satin finish stainless steel. Doors have rounded corners for greater patient safety, and will support a 250 lb. static load via full length stainless steel piano hinges. Toilet tissue holder is conveniently located inside the cabinet door. Side-mounted bedpan washer with drain is concealed behind a separate cabinet door.

Countertop

Standard finish for MDF/laminate countertop is Wilsonart #4633 Natural Nebula. Other countertop selections include other laminates, stainless steel, Terreon®, a densified solid surface material composed of bio-based resin or Terreon®RE, a densified solid surface material composed of a bio-based resin and preconsumer recycled granules. Terreon and TerreonRE are resistant to chemicals, stains, burns and impact. Surface damage can be easily repaired with everyday cleansers or fine grit abrasives. Terreon and TerreonRE are certified by Home Innovation Lab1 to meet CSA B45.5/IAPMO Z124. Terreon and TerreonRE are GREENGUARD® certified as low-emitting materials.

Lavatory

Standard lavatory is 14 gauge stainless steel with factory-installed caulking. Measures 14½" x 9½" x 5" deep. Optional Terreon® countertop features an integral 16¾" x 9½" x 8" deep double step bowl with IV drip ledge. Furnished with 10" rigid gooseneck, deck-mounted hot and cold faucet with 4" wristblade handles. Optional valve selections include foot pedal or infrared faucet. Traps and stops complying with local codes to be furnished by plumbing contractor.

Toilet

Toilet and support assembly are constructed of heavy gauge stainless steel. Siphon jet type toilet has an elongated bowl, integral flushing rim, remote-actuated hydraulic flushing system with push button, and a white seat with self-sustaining hinge. Toilet pivots into room and locks in position when cabinet door is open. 25 PSI minimum is required for flushing. Trap has a 3½" seal that will pass a 2½" diameter ball and is fully enclosed. Toilet is anchored to floor and will support a 2,500 lb. static load. A 1.6 gallon per flush (low flow) toilet is standard. Toilet assembly meets ANSI/ASME A112.19.2.

1.6 gpf is not available for use in California per California Energy Commission 20 CCR T. 20, Div. 2, §1601-1609.

Check Your Surroundings

Certain factors, such as intense direct sunlight, other infrared devices, or other site conditions may interfere with the activation of infrared faucets. Contact your local Bradley representative to discuss any application concerns.

Protected by the following U.S. Patent: 6,986,171

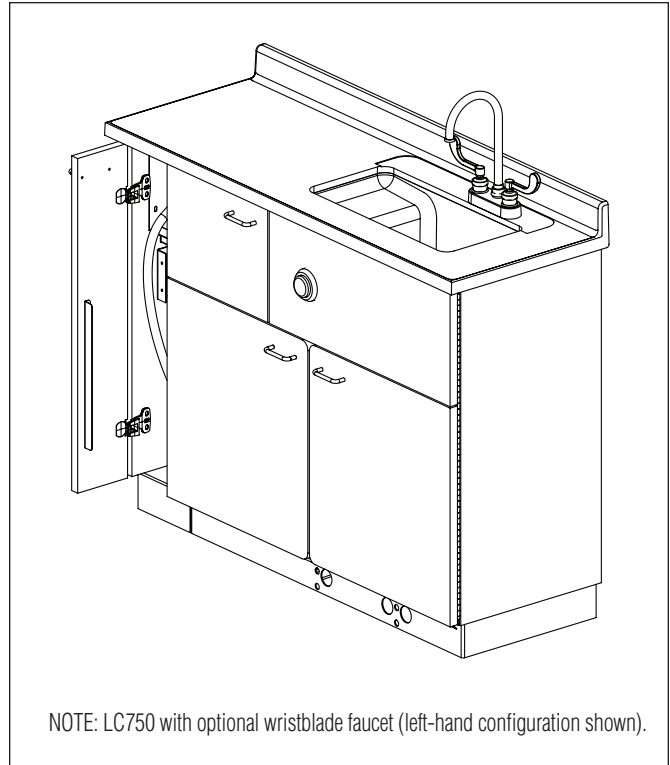
Verify all rough-in dimensions prior to installation.

Consult local and national codes. Conformity and compliance to local and national codes is the responsibility of the installer.

Page 1 of 4 6/8/2017

This information is subject to change without notice.

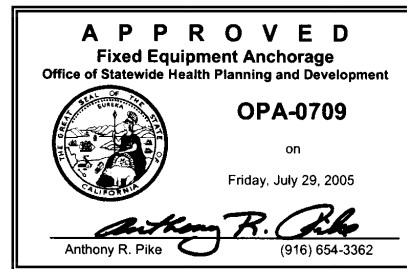
Bradley_PatientCare_LC750



Standard product selections contained within this document are third party **CERTIFIED** to NSF/ANSI 372 meeting the Lead-Free content requirement. Any product configured with custom options will be **COMPLIANT** with NSF/ANSI 372 meeting the Lead-Free content requirement.

Office of Statewide Health Planning and Development ANCHORAGE PRE-APPROVAL

Equipment Type: LavCare 700 & 750 Series Patient Care Module

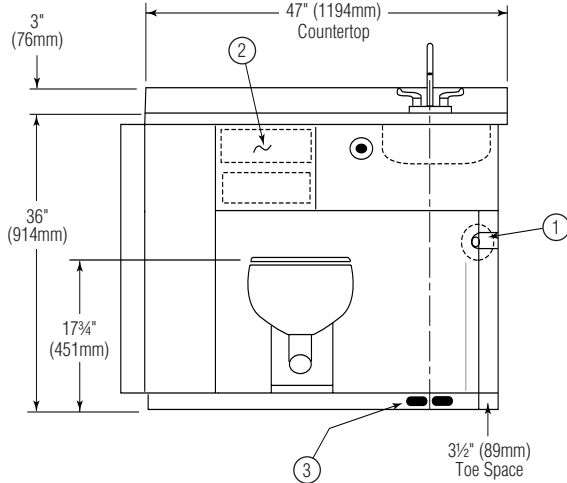


© 2017 Bradley
P.O. Box 309, Menomonee Falls, WI 53052-0309
800 BRADLEY (800 272 3539) +1 262 251 6000
bradleycorp.com

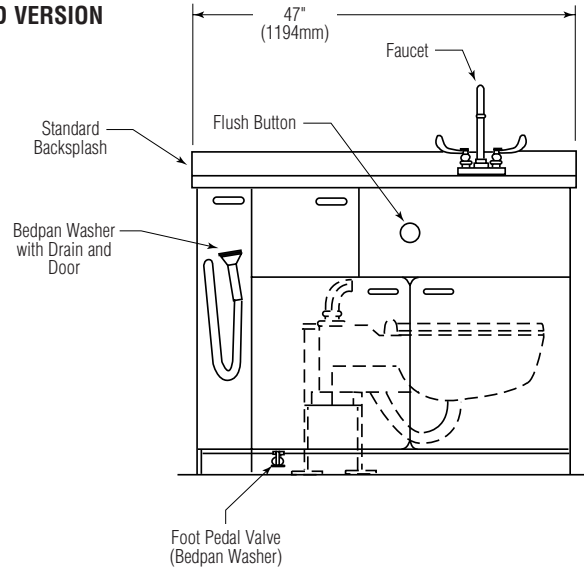


LC750 Patient Care Unit, 47", Pivot Water Closet, Bedpan Washer

LEFT-HAND VERSION

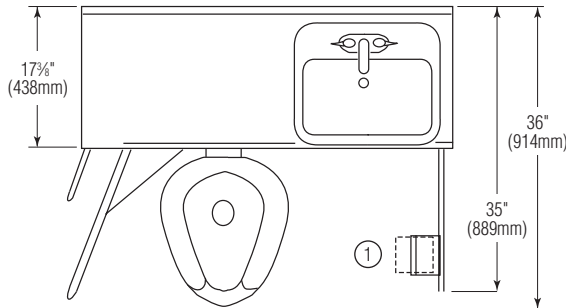


FRONT VIEW

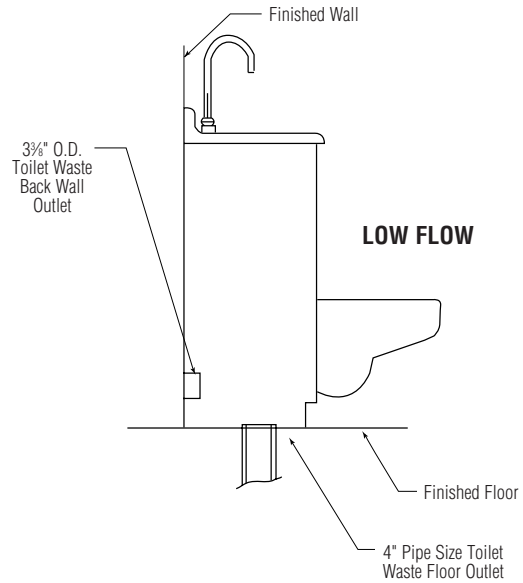


ITEMS:

1. Toilet tissue holder.
2. Storage compartment with optional removable shelf and dialysis box location when specified, large enough for (2) bed pans.
3. Location of lavatory valve foot pedals when specified.



TOP VIEW



Bradley Corporation reserves the right to make changes in design and material without formal notice, and without incurring obligation.

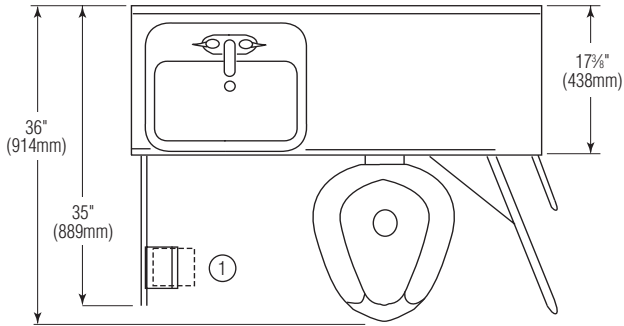
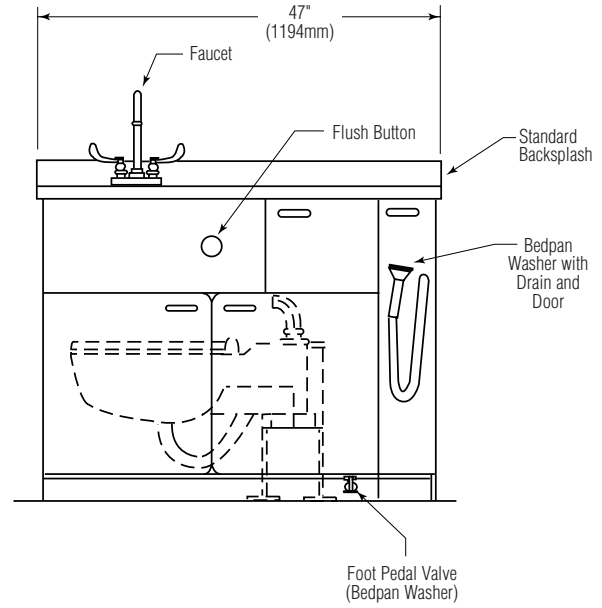
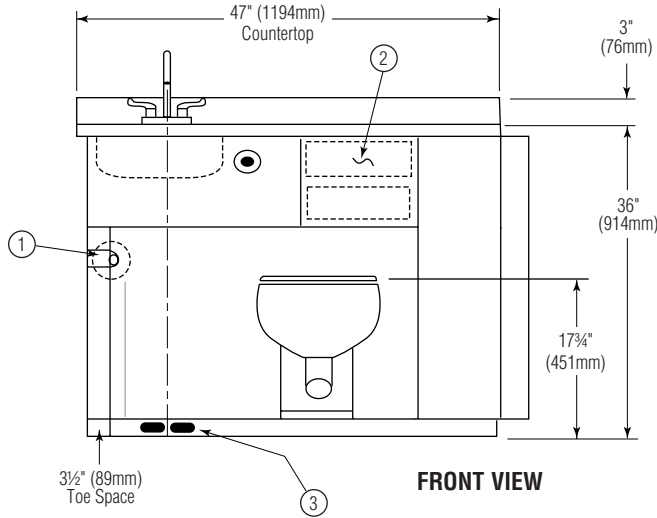
Verify all rough-in dimensions prior to installation.

Consult local and national codes. Conformity and compliance to local and national codes is the responsibility of the installer.



LC750 Patient Care Unit, 47", Pivot Water Closet, Bedpan Washer

RIGHT-HAND VERSION



ITEMS:

1. Toilet tissue holder.
2. Storage compartment with optional removable shelf and dialysis box when specified, large enough for (2) bed pans.
3. Location of lavatory valve foot pedals when specified.

See P-LC/10 for dimensions of side view STD. and Lowflow.

Bradley Corporation reserves the right to make changes in design and material without formal notice, and without incurring obligation.

Verify all rough-in dimensions prior to installation.

Consult local and national codes. Conformity and compliance to local and national codes is the responsibility of the installer.

Page 3 of 4

6/8/2017

This information is subject to change without notice.

Bradley_PatientCare_LC750

© 2017 Bradley
 P.O. Box 309, Menomonee Falls, WI 53052-0309
 800 BRADLEY (800 272 3539) +1 262 251 6000
 bradleycorp.com



LC750

Patient Care Unit, 47", Pivot Water Closet, Bedpan Washer

Model	Description
<input type="checkbox"/> LC750	47" Patient Care Unit, Pivot Water Closet, Bedpan Washer
Standard Selections (MUST select one from each category)	
Water Closet Location (select one):	
<input type="checkbox"/> LEFT	Left-Side
<input type="checkbox"/> RIGHT	Right-Side
	LEFT RIGHT
Water Closet Waste Outlet (select one)*:	
<input type="checkbox"/> WALL	Wall Waste Outlet
<input type="checkbox"/> FLOOR	Floor Waste Outlet*
Water Closet Waste Connection (select one)*:	
<input type="checkbox"/> 3NH	3" No-Hub Waste Connection
<input type="checkbox"/> 4NH	4" No-Hub Waste Connection
	3NH 4NH GSKT
Cabinet Color (select one):	
<input type="checkbox"/> SCC	Wilsonart #1531-60 Light Beige Laminate (Standard)
<input type="checkbox"/> SPCC	Specify Formica, Wilsonart or Nevamar Brand Laminates
	Color: _____
Lavatory Valve (select one):	
<input type="checkbox"/> WB	Deck-Mounted Faucet/Wristblade Handles
<input type="checkbox"/> FP	Deck-Mounted Spout/Foot Pedal Control
<input type="checkbox"/> IR-AC	Infrared Gooseneck Faucet**
<input type="checkbox"/> IR-DC	Infrared Gooseneck Faucet, Battery Operation**
	WB FP IR-AC / IR-DC
Mixing Valve Selections (for IR Lavatory Valves):	
<input type="checkbox"/> TMA	TMA Navigator® Thermostatic Mixing Valve
Bedpan Washer:	
<input type="checkbox"/> BWVC	Bedpan Washer w/ Volume Control Valve‡
<input type="checkbox"/> BWFC	Bedpan Washer w/ Foot Control Valve (standard)‡
Dialysis Box:	
<input type="checkbox"/> DB1	Single Valve Dialysis Box
<input type="checkbox"/> DB2	Dual Valve Dialysis Box
<input type="checkbox"/> SB	Storage Box

Standard Selections (Must select one from each category)

Countertop Color			
<input type="checkbox"/> STC	Wilsonart #4633 Natural Nebula laminate (standard)		
<input type="checkbox"/> SPTC	Specify Formica, Wilsonart or Nevamar Brand laminates Color: _____		
<input type="checkbox"/> PS	Polished Stainless Steel		
<input type="checkbox"/> TERR	Terreon Countertop (must select top & bowl)		
Top			
<i>Standard Colors</i>			
<input type="checkbox"/> ALP-WHT	Alpine White	<input type="checkbox"/> LONDON	London Gray
<input type="checkbox"/> AVALANCHE	Avalanche†	<input type="checkbox"/> MOONSTONE	Moonstone†
<input type="checkbox"/> BONE	Mesa Bone	<input type="checkbox"/> O-TAUPE	Organic Taupe
<input type="checkbox"/> CHAR	Charcoal Gray	<input type="checkbox"/> PEBBLE	Pebble Beach
<input type="checkbox"/> COBBLE	Cobblestone	<input type="checkbox"/> PEP-WHT	Peppered White
<input type="checkbox"/> DRIFT	Driftwood†	<input type="checkbox"/> POLAR†	Polar Ice
<input type="checkbox"/> DS-WHT	Designer White	<input type="checkbox"/> SAND	Sandtrap
<input type="checkbox"/> DUNE	Sand Dune†	<input type="checkbox"/> S-CREEK	Stone Creek
<input type="checkbox"/> E-GRAY	Empire Gray	<input type="checkbox"/> S-MIST	Silver Mist
<input type="checkbox"/> GLACIER	Glacier	<input type="checkbox"/> WHT-SAND	White Sand
<input type="checkbox"/> GRAPH	Graphite		
<input type="checkbox"/> LANNON	Lannonstone		
<i>Designer Colors (available at an additional charge)</i>			
<input type="checkbox"/> ARC-CHIP	Arctic Chip	<input type="checkbox"/> RIVER	Riverstone
<input type="checkbox"/> COFFEE	Coffee Bean		
<i>TerreonRE Colors (available at an additional charge)</i>			
<input type="checkbox"/> BIRCH-BARK	Birch Bark	<input type="checkbox"/> MOONDUST	Moondust
<input type="checkbox"/> DUSK	Dusk	<input type="checkbox"/> OAT	Oat
Bowl			
<input type="checkbox"/> SAME		<input type="checkbox"/> LONDON	London Gray
<input type="checkbox"/> ALP-WHT	Alpine White	<input type="checkbox"/> O-TAUPE	Organic Taupe
<input type="checkbox"/> BONE	Mesa Bone		
<input type="checkbox"/> DS-WHT	Designer White		
<input type="checkbox"/> NO-TOP	Less Countertop and Lavatory		
Countertop Backsplash			
<input type="checkbox"/> BSO	One Wall - Back Side Only (standard)		
<input type="checkbox"/> BSRS	Two Walls - Back and Right Side		
<input type="checkbox"/> BSLS	Two Walls - Back and Left Side		
<input type="checkbox"/> BSBS	Three Walls - Back, Right & Left Sides from Alcove		
Optional Selections			
<input type="checkbox"/> SGB	Swing-Down Grab Bar - 35" Long		
<input type="checkbox"/> WGB	Wall Grab Bar - 48" Long		

* Floor waste only available with waste flange and gasket connection. Wall waste available as 3" or 4" No-Hub waste connection.

** Infrared faucets not available with PS countertop selection.

† This color contains large, randomly distributed chips.

‡ Backflow preventer required with bedpan washer selection. It is automatically added when bedpan washer is selected.

Verify all rough-in dimensions prior to installation.

Consult local and national codes. Conformity and compliance to local and national codes is the responsibility of the installer.

- All Patient Care Units are non-cancelable and non-returnable because they are made to exact specifications for each order.
- Once you have determined your configuration, please contact your Bradley Representative for rough-in information.
- Bradley Corporation reserves the right to make changes in design and material without formal notice, and without incurring obligation.