

BradPack® Wash Center Model 110

- Factory Assembled
- Recesses in 4" Wall Construction
- Convenient Foot Control
- Concealed Plumbing

Specifications

Materials

Wash Center is fabricated of type 304 (18-8) stainless steel with exposed surfaces in architectural satin finish. Trim is brass with heavy polished chrome plating.

Construction

Flange

22 gauge stainless steel with one-piece seamless construction, 1" wide with 1/4" return.

Cabinet

Heavy-gauge stainless steel, all spot welded construction. Two full width shelves.

Light Fixture

Fabricated of 22 gauge stainless steel. Accepts two 15", 14-watt fluorescent tubes (not furnished by Bradley). Rapid start, sound rated ballast. Diffuser of non-yellowing acrylic. Pre-wired, tested and UL listed for 115V AC operation. Toggle switch located below mirror door.

Ground Fault Interrupter (GFI)

GFI unit contains special low current leakage circuitry with reset button and safety check test button.

Mirror Door

Heavy-gauge stainless steel with heavy-duty full-length piano hinge. Equipped with stainless steel spring-buffered rod stop and two magnetic door catches.

Mirror

First quality 1/4" polished plate glass, triple-silvered and electro-copper plated with baked enamel backing, guaranteed for 15 years against silver spoilage. Protected by shock-absorbing waterproof filler. Glass is removable if necessary.

Towel Dispenser

22 gauge stainless steel with rolled edge on dispenser opening. Holds 800 multi-fold or 500 C-fold paper towels.

Bowl

18 gauge stainless steel. Oval design, 13-5/8"L x 10-1/8"W x 5"D.

Trim

Gooseneck spout with aerated nozzle projects 5" above bowl. (Optional non-aerated spout available.) Free running 1-1/2" bath ell with stainless steel strainer. Trap and stops complying with local codes to be supplied by plumbing contractor.

DISCONTINUED



Pedestal

22 gauge stainless steel. Center panel removed for access to plumbing and operating mechanism. All panels are replaceable.

Foot Pedal

16 gauge stainless steel welded to two support brackets. Adjusts up to 1/2" for variations in finished floor. Foot pedal actuates flow of water and controls volume. Spring-actuated mechanism operates self-closing mixing valve. Pedal swings up, out of the way for cleaning. Water temperature is controlled by lever on shelf above bowl, hot and cold settings indicated. Bradley Bradtrol mixing valve operating parts are replaceable as a cartridge unit.

Installation

Requires rough wall opening 15-1/2"W x 65"H x 4"D. Top of opening is 71-3/4" above finished floor. (Detailed installation instructions included with each shipment.)

Document No. 6090

This information is subject to change without formal notice.
0197RSPML (3 Pages Total)

Bradley 

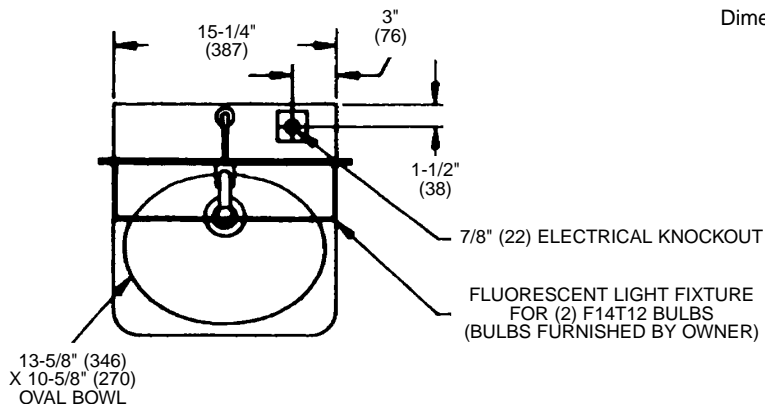
P.O. Box 309, Menomonee Falls, WI 53052-0309
Phone 1-800-BRADLEY FAX 262-251-5817
<http://www.bradleycorp.com>
Technical Information Fax Service: 1-800-BRADFAX

BradPack® Wash Center

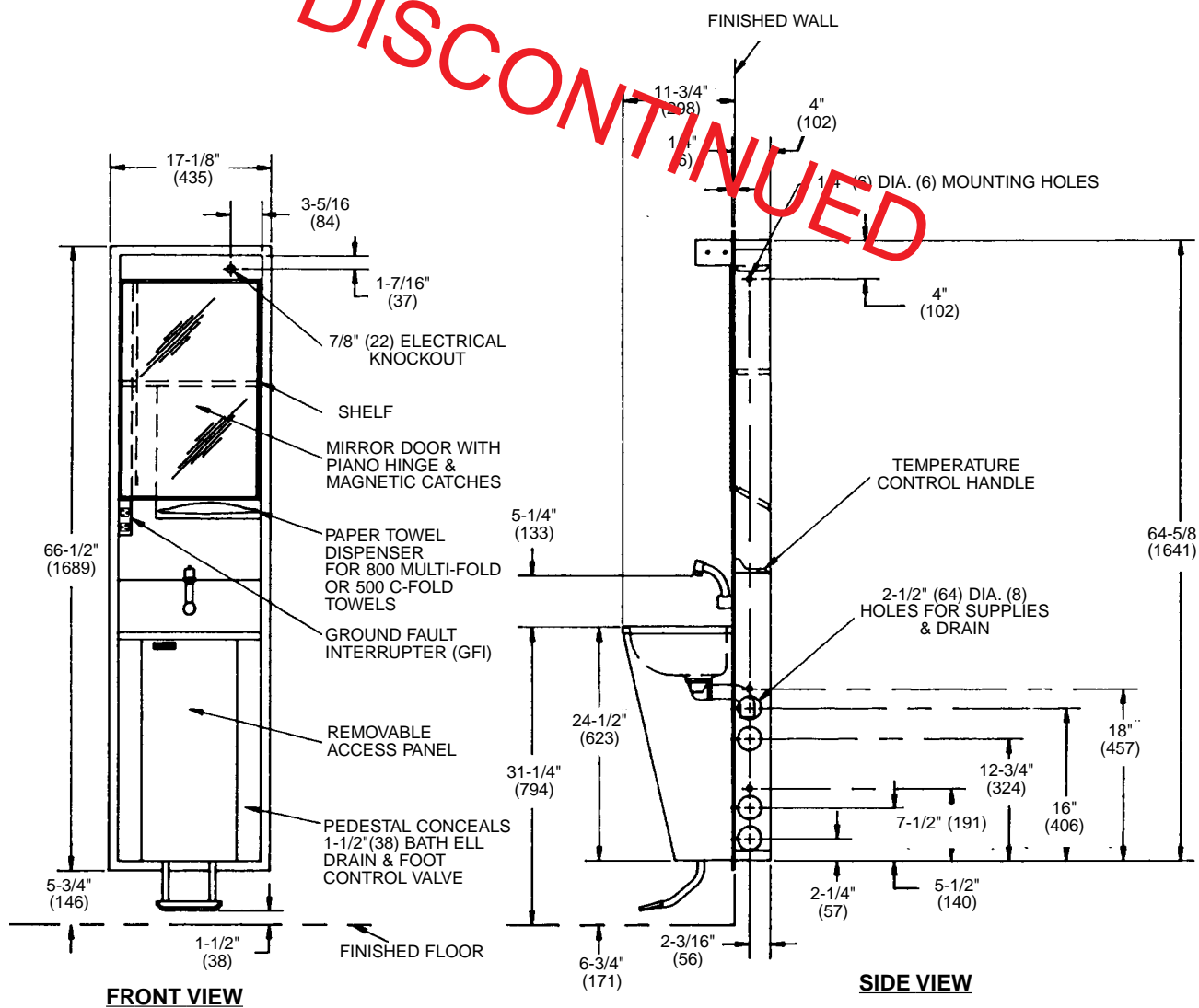
Model 110

PLUMBING FIXTURES TECHNICAL DATA

Dimensions in parentheses are millimeters.



TOP VIEW



DISCONTINUED

NOTE: 1. Trap, stops and supplies complying with local codes to be furnished by contractor.
2. Detailed installation instructions are available on request.

BradPack® Wash Center Model 110

DISCONTINUED

MODEL	
Model	Description
<input type="checkbox"/> 110	BradPack Wash Center

OPTIONAL SELECTIONS
Controls: <input type="checkbox"/> 8 Pop-up drain and overflow assembly
Cabinet: <input type="checkbox"/> P Cabinet lock
Electrical: <input type="checkbox"/> G Less electrical
Soap Dispenser: <input type="checkbox"/> 5 Deck-mounted liquid soap dispenser, 40 oz.
Installation: <input type="checkbox"/> A Surface-mounting collar (4"), factory installed <input type="checkbox"/> B Semi-recessed collar for 2" recess, factory installed <input type="checkbox"/> N In-wall mounting frame
Miscellaneous: <input type="checkbox"/> E Built-in waste receptacle

Sample Specification

Preassembled wash center with foot-pedal operation shall be Bradley BradPack Model 110. The listed wash center shall be one-piece unit designed for recessed installation. Unit shall be factory assembled, tested for proper operation and ready for connection to plumbing and electrical services. Unit shall include the following standard equipment:

- foot-controlled lavatory with self-closing Bradley Bradtrol mixing valve for temperature and volume control
- mirror 40" above floor
- medicine cabinet with two shelves
- hand-controlled lavatory with 4" wristblade, hot and cold valves
- two-tube fluorescent light fixture (fluorescent tubes not included)
- ground fault interrupter (GFI)
- waste receptacle.

Unit shall be fabricated of type 304 (18-8), 22 gauge stainless steel and 18 gauge bowl with exposed surfaces in architectural satin finish. Overall dimensions: 17-1/8"W x 66-1/2"H with an 11-3/4" projection from finished wall surface. Trap and stops complying with local codes to be furnished by plumbing contractor.

