

Installation

110, 1121, 1122, 1123,
1124, 1127, 1128, 1141

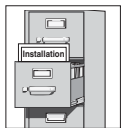
BradPack® Wash Center

Table of Contents

Supplies Required	2
Surface-Mounted Unit	
Rough-Ins	2-3
Installation	3
Recess-Mounted Unit	
Rough-Ins	4-6
Installation	7
Cleaning Stainless Steel	8



WARNING



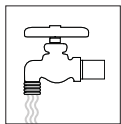
Read this entire installation manual to ensure proper installation, then file it manual with the owner or maintenance department. Compliance and conformity to local codes and ordinances is the responsibility of the installer.



Carefully remove the BradPack unit from the carton and make sure all parts are accounted for before discarding any packaging material. If any parts are missing, do not begin installation until you obtain the missing parts. Leave the protective vinyl covering on the unit during installation.



Before installing components, all connection supply lines must be flushed and free of foreign material such as pipe dope, chips, solder, etc. Bradley will not be responsible for leaking valves due to the presence of foreign material, or distorted stop gaskets where excessive pressure (above 30 lbs. of torque) has been applied to the stop cap.



After flushing has been completed, make sure that all water supply lines have been completely turned off before beginning installation. After installation has been completed, remove the vinyl covering and clean the unit. Turn the water supply lines on and test the unit for leaks and adequate water flow.



Product warranties may be found in the "Products" section on our web site at www.bradleycorp.com.

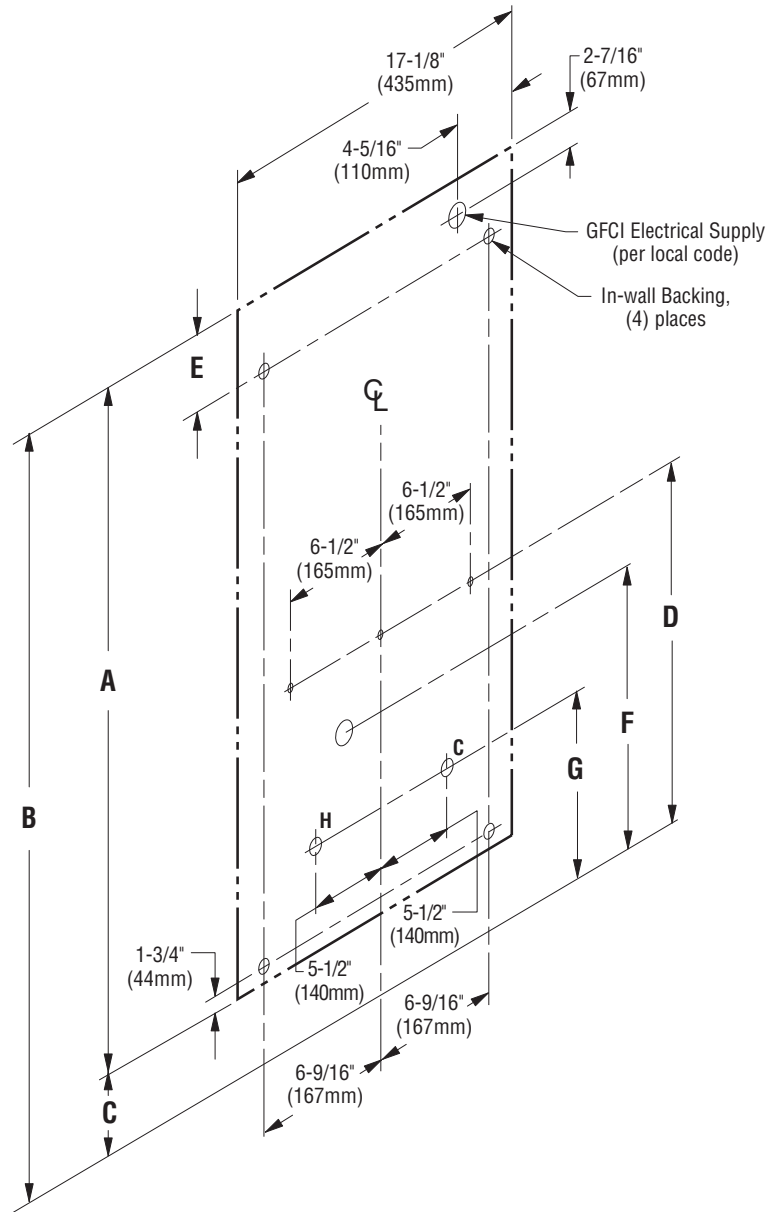
Supplies Required:

- Supply piping
- P-trap and drain piping
- Silicone Caulk
- Shims, if necessary, when installing cabinet
- (4) Wall anchors for securing cabinet to wall (screws supplied) (if required)
- (2) F14T12 medium bipin bulbs for models 110 and 1127 (if required)
- GFCI (if not provided with unit)

Rough-Ins for Surface-Mounted Units

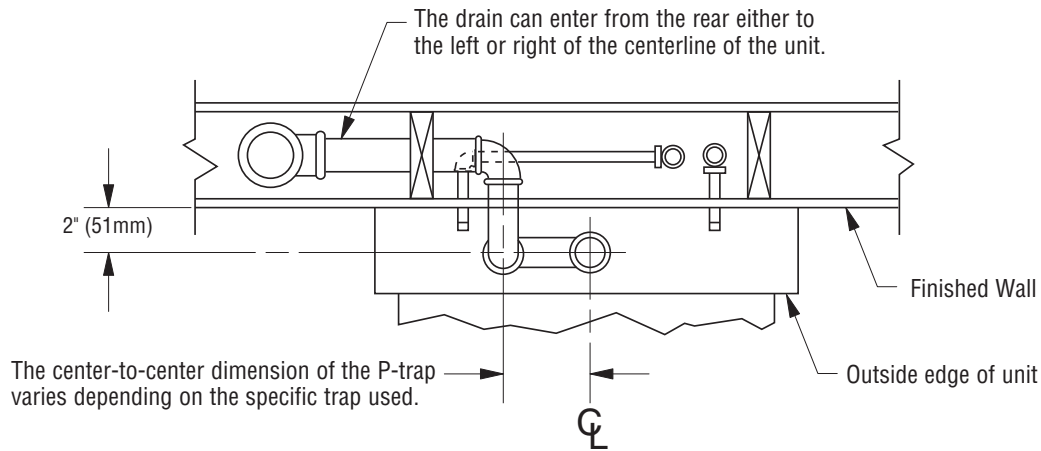
 **Mounting holes in unit are provided only when specified by customer.**

 **Keep the supply lines as short as practical to prevent interference between rough plumbing and the BradPack cabinet.**



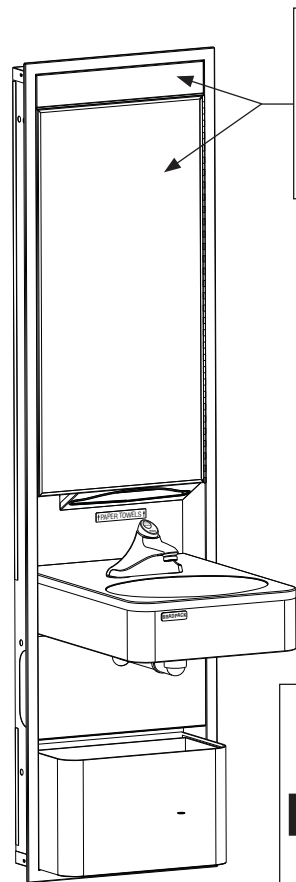
MODEL	A	B	C	D (wall bracket)	E (mounting holes)	F (1-1/2" IPS drain)	G (supplies)
110	66-1/2" (1689mm)	72-1/4" (1835mm)	5-3/4" (146mm)	34-7/8" (886mm)	5" (127mm)	22-3/4" (578mm)	14-1/2" (368mm)
1121	45-1/2" (1156mm)	64-1/2" (1638mm)	19" (482mm)	38-1/8" (968mm)	5" (127mm)	26" (660mm)	23-1/2" (597mm)
1122	27-1/2" (699mm)	46-1/2" (1181mm)	19" (482mm)	38-1/8" (968mm)	1-3/4" (45mm)	26" (660mm)	23-1/2" (597mm)
1123	27-1/2" (699mm)	40" (1016mm)	12-1/2" (318mm)	32-1/2" (826mm)	1-3/4" (45mm)	26" (660mm)	22-3/4" (578mm)
1124	27-1/2" (699mm)	40" (1016mm)	12-1/2" (318mm)	32-1/2" (826mm)	1-3/4" (45mm)	26" (660mm)	22-3/4" (578mm)
1127	66-1/2" (1689mm)	75-1/2" (1918mm)	9" (229mm)	32-1/8" (816mm)	5" (127mm)	26" (660mm)	23-1/2" (597mm)
1128	56" (1422mm)	75-1/2" (1918mm)	19-1/2" (495mm)	32-1/8" (816mm)	5" (127mm)	26" (660mm)	23-1/2" (597mm)
1141	56" (1422mm)	61-3/4" (1569mm)	5-3/4" (146mm)	34-7/8" (886mm)	5" (127mm)	22-3/4" (578mm)	14-1/2" (368mm)

Rough-Ins for Drain and P-trap (view from top of unit)



Installation for Surface-Mounted Units

Before mounting the unit, finish the wall, making certain to provide for any irregularities such as wainscot or tile.



A Remove the access panel.
FOR UNITS WITH LIGHT FIXTURE: Open the mirror door and unfasten the two screws on the bottom of the light. Carefully slide the light assembly out of the Bradpack.

D Replace the access panel.
FOR UNITS WITH ELECTRICAL AND/OR LIGHT FIXTURE: Connect electrical and/or light fixture per local code and reinstall the light assembly into the Bradpack. Install fluorescent light tubes (supplied by installer). Bradpack Models 110 and 1127 require two F14T12 medium bi-pin bulbs.

Back View (surface-mounted units)

B Fasten the support bracket (supplied) on the wall in three places at the location shown on page 3. Pull the electrical supply leads through the knockout near the top of the unit and position the unit onto the support bracket. Connect supplies and drain per local code.

Foot Control

1-1/2" (38mm)

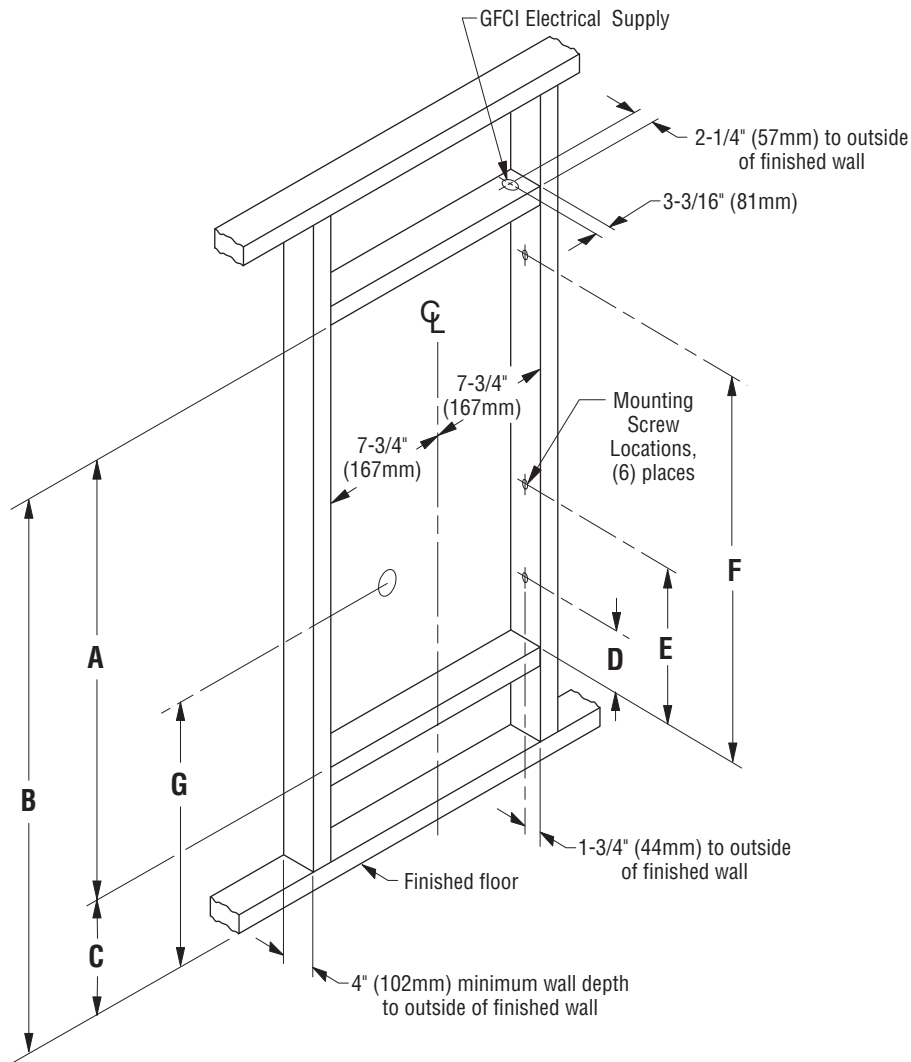
Floor

C **FOR UNITS WITH FOOT CONTROL:** Loosen the two screws that connect the foot pedal to the support mechanism and slide the pedal up or down to the required 1-1/2" clearance. Tighten the two screws.

Rough-Ins for Recess-Mounted Units



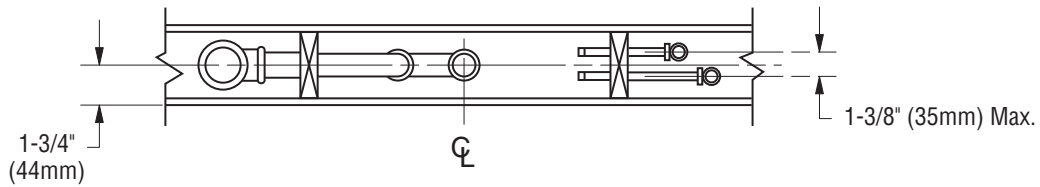
If optional Bradley mounting frame is used, allow 1/8" more clearance overall for rough wall opening.



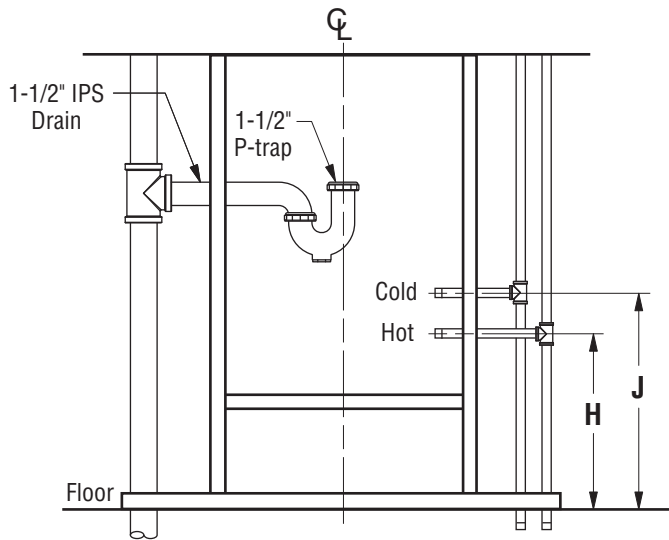
MODEL	A	B	C	D	E	F	G (1-1/2" IPS drain)
110	65" (1651mm)	71-3/4" (1823mm)	6-3/4" (172mm)	7-1/2" (191mm)	16" (406mm)	60-1/2" (1537mm)	22-3/4" (578mm)
1121	44" (1118mm)	64" (1626mm)	20" (508mm)	7-1/2" (191mm)	---	39-1/2" (1003mm)	26" (660mm)
1122	26" (660mm)	46" (1168mm)	20" (508mm)	7-1/2" (191mm)	---	21-1/2" (546mm)	26" (660mm)
1123	26" (660mm)	39-1/2" (1003mm)	13-1/2" (343mm)	3-1/2" (89mm)	---	24" (610mm)	26" (660mm)
1124	26" (660mm)	39-1/2" (1003mm)	13-1/2" (343mm)	3-1/2" (89mm)	---	24" (610mm)	26" (660mm)
1127	65" (1651mm)	75" (1905mm)	10" (254mm)	7-1/2" (191mm)	16" (406mm)	60-1/2" (1537mm)	26" (660mm)
1128	54-1/2" (1384mm)	75" (1905mm)	20-1/2" (521mm)	7-1/2" (191mm)	---	50" (1270mm)	26" (660mm)
1141	54-1/2" (1384mm)	61-1/4" (1556mm)	6-3/4" (172mm)	7-1/2" (191mm)	16" (406mm)	50" (1270mm)	22-3/4" (578mm)

Rough-Ins for Supplies from Side

(view from top of unit)



Standard Rough-ins



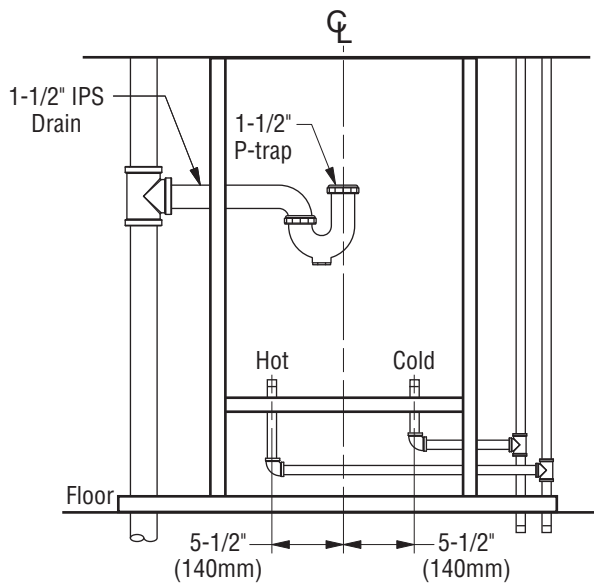
HAND CONTROL: When supplies are brought in from the right side (as shown), position the cold on top and the hot on the bottom. When supplies are brought in from the left side, position the cold on the bottom and the hot on top.

FOOT CONTROL: When supplies are brought in from the right side (as shown), position the hot on top and the cold on the bottom. When supplies are brought in from the left side, position the hot on the bottom and the cold on top.

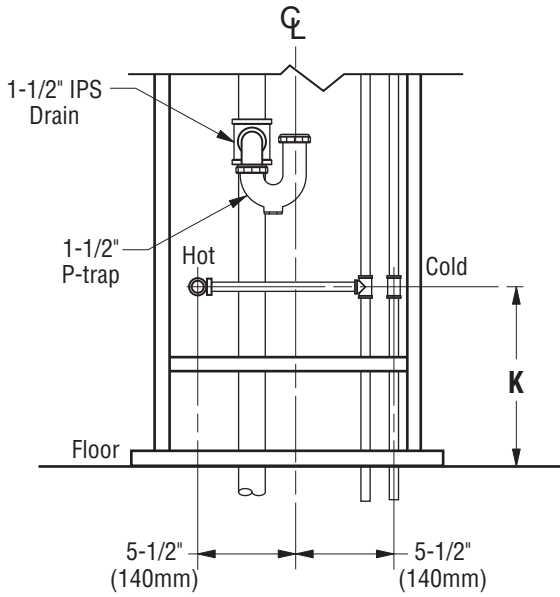
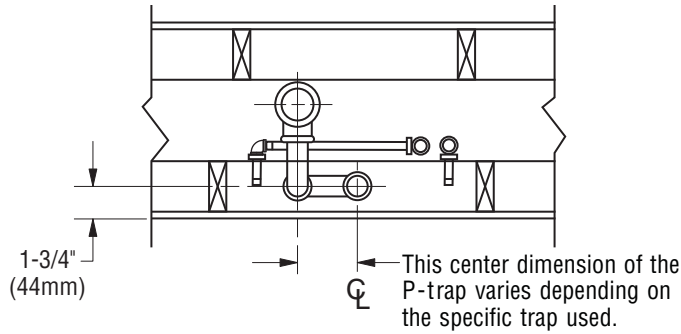
MODEL	H	J
110	9" (229mm)	12-1/4" (311mm)
1121	22-3/4" (578mm)	26" (660mm)
1122	22-3/4" (578mm)	26" (660mm)
1123	29-1/4" (743mm)	26" (660mm)
1124	29-1/4" (743mm)	26" (660mm)
1127	22-3/4" (578mm)	26" (660mm)
1128	22-3/4" (578mm)	26" (660mm)
1141	9" (229mm)	12-1/4" (311mm)

Alternate Rough-ins

(for all units except Model 1127 with waste receptacle)



Rough-Ins for Supplies from Rear
(view from top of unit)



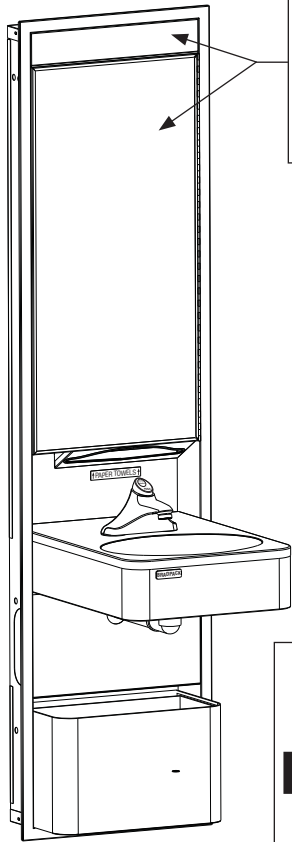
MODEL	K
110	14-1/2" (368mm)
1121	23-1/2" (597mm)
1122	23-1/2" (597mm)
1123	22-3/4" (578mm)
1124	22-3/4" (578mm)
1127	23-1/2" (597mm)
1128	23-1/2" (597mm)
1141	14-1/2" (368mm)

The drain can enter from the rear, either to the left or right of the centerline of the wall opening (left shown).

Installation for Recess-Mounted Units

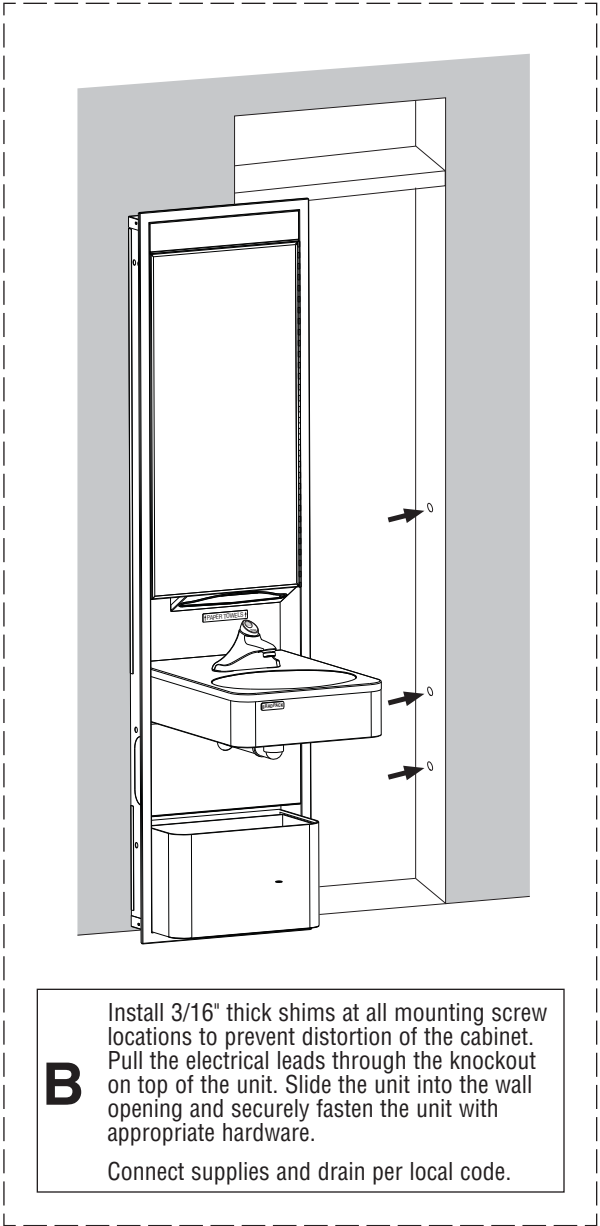


Before mounting the unit, finish the wall, making certain to provide for any irregularities such as wainscot or tile. The wall opening in plaster walls should be trimmed on all four sides with metal plaster trim.

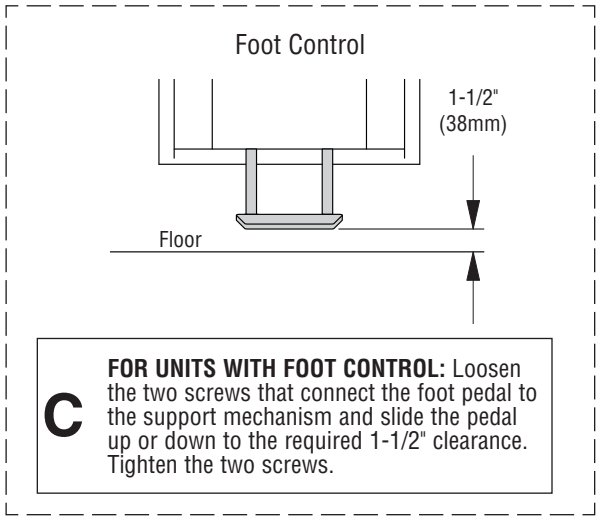


A Remove the access panel.
FOR UNITS WITH LIGHT FIXTURE: Open the mirror door and unfasten the two screws on the bottom of the light. Carefully slide the light assembly out of the Bradpack. Save all of the mounting screws.

D Replace the access panel.
FOR UNITS WITH ELECTRICAL AND/OR LIGHT FIXTURE: Connect electrical and/or light fixture per local code and reinstall the light assembly into the Bradpack. Install fluorescent light tubes (supplied by installer). Bradpack Models 110 and 1127 require two F14T12 medium bi-pin bulbs.



B Install 3/16" thick shims at all mounting screw locations to prevent distortion of the cabinet. Pull the electrical leads through the knockout on top of the unit. Slide the unit into the wall opening and securely fasten the unit with appropriate hardware.
 Connect supplies and drain per local code.



C **FOR UNITS WITH FOOT CONTROL:** Loosen the two screws that connect the foot pedal to the support mechanism and slide the pedal up or down to the required 1-1/2" clearance. Tighten the two screws.

Cleaning Stainless Steel

Material Description: Stainless steel is extremely durable, and maintenance is simple and inexpensive. Proper care, particularly under corrosive conditions, is essential. Always start with the simplest solution and work your way toward the more complicated.

Routine Cleaning: Daily or as often as needed use a solution of warm water and soap, detergent, or ammonia. Apply the cleaning solution per the manufactures instructions and always use a soft cloth or sponge to avoid damaging the finish.

Stubborn Stains: To remove stains from stainless steel use a stainless steel cleaner and polish such as Ball® stainless steel cleaner or a soft abrasive. Always follow the manufactures instructions and apply in the same direction as the polish lines.



Never use ordinary steel wool or steel brushes on stainless steel. Always use stainless steel wool or stainless steel brushes.

Special Situations for Material

Fingerprints and Smears: To remove fingerprints or smears use a high quality stainless steel cleaner and polish in accordance with the manufactures instructions. Many of these products leave a protective coating the helps prevent future smears and fingerprints.

Grease and Oil: Grease and Oil : To remove grease and oil use a quality commercial detergent or caustic cleaner. Apply in accordance to the manufactures instructions and in the direction of the polish lines.

Precautions: Precautions: Avoid prolonged contact with chlorides (bleaches, salts), bromides (sanitizing agents), thiocyanates (pesticides, photography chemicals, and some foods), and iodides on stainless steel equipment, especially if acid conditions exist.



Do not permit salty solutions to evaporate and dry on stainless steel.

The appearance of rust streaks on stainless steel leads to the belief that the stainless steel is rusting. Look for the actual source of the rust in some iron or steel particles which may be touching, but not actually a part of the stainless steel structure.



Strongly acidic or caustic cleaners may attack the steel causing a reddish film to appear. The use of these cleaners should be avoided.

Brand Names: Use of brand names is intended only to indicate a type of cleaner. This does not constitute an endorsement, nor does the omission of any brand name cleaner imply inadequacy. Many products named are regional in distribution, and can be found in local supermarkets, department and hardware stores, or through your cleaning service. It is emphasized that all products should be used in strict accordance with package instructions.