

Installation

COMBI5500

17" Chase-Mounted Five-Sided Stainless Steel Combination Unit

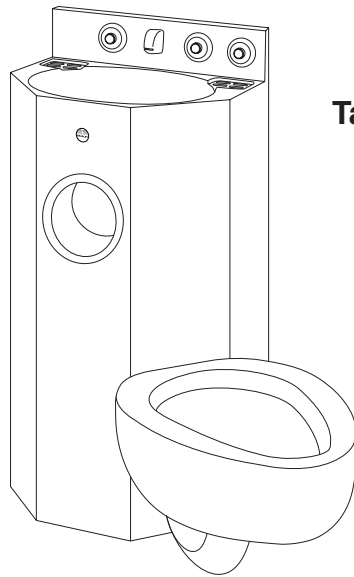
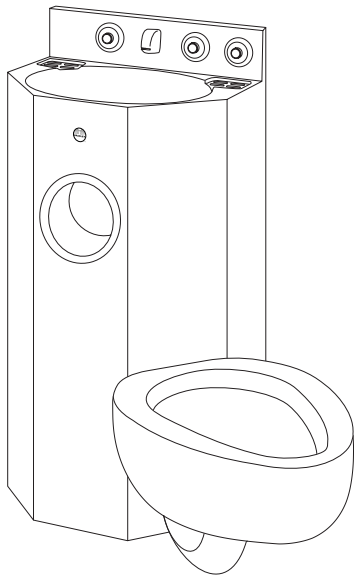
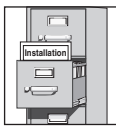


Table of Contents

Supplies Required	2
Rough-In Information	2-3
Installation Instructions	3
Cleaning Instructions	4



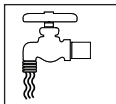
IMPORTANT!



Bradley Security Fixtures are tamper resistant. All mounting hardware provided is essential for properly anchoring the unit. Bradley cannot assume any responsibility for any improperly installed units. Read this entire installation manual to ensure proper installation. When finished with the installation, file this manual with the owner or maintenance department. Compliance and conformity to local codes and ordinances is the responsibility of the installer.



Separate parts from packaging and make sure all parts are accounted for before discarding packaging material. If any parts are missing, do not begin installation until you obtain the missing parts.



Make sure that all water supply lines have been flushed and then completely turned off before beginning installation. Debris in supply lines can cause valves to malfunction.



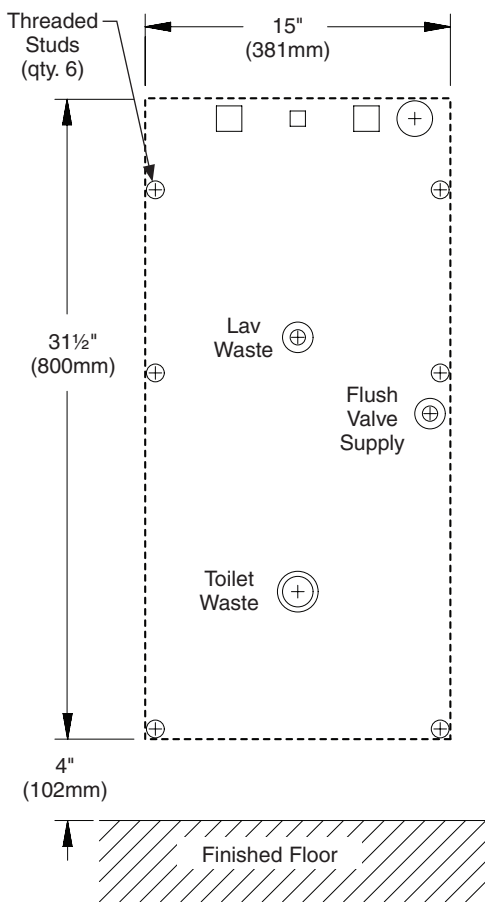
Product warranties may be found under "Products" on our web site at bradleycorp.com.

Supplies Required:

- 1" NPT supply piping to flush valve
- Toilet/Lav waste connections
- For optional air valve manifold: ½" NPT supply piping. Refer to Bradley Installation Manual (215-1158) provided with assembly.
- For optional self-closing valve: ½" NPT supply piping. Refer to Bradley Installation Manual (215-581) provided with assembly.
- For optional TouchTime® solenoid valve: ⅛" NPT supply piping; wire nuts sized for 22 AWG to connect to 24 VAC power source. Refer to Bradley Installation Manual (215-1378) provided with assembly.

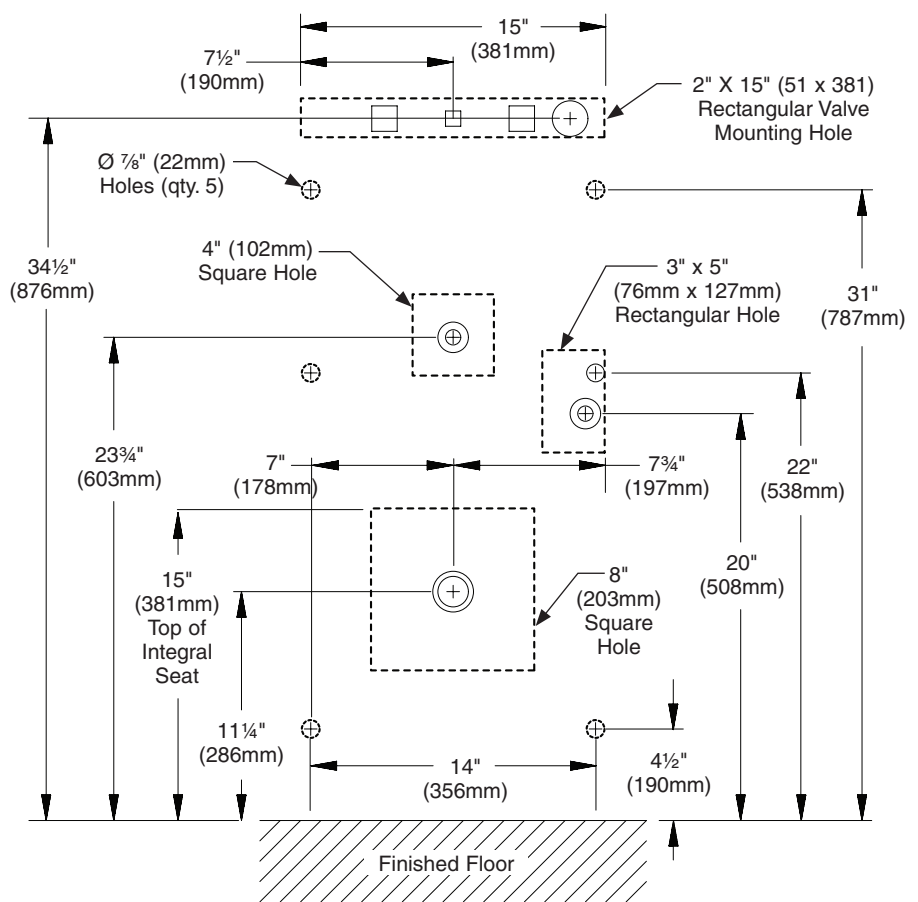
Roughing-In Supplies, Drain, and Waste Outlet

- All views are from the fixture side. Right-hand unit is shown, left-hand unit is opposite.
- Rough-in 1¼" or 1½" NPT (size dependent on options ordered) lavatory waste outlet at the dimensions shown below. Use single or multiple openings, depending on site requirements.
- Top of integral seat is to be mounted 15" (381mm) above finished floor.
- On floor outlet waste units, centerline of waste is 4¼" (108mm) from wall.



Single Opening in Wall

Single opening is ecommended when using optional wall sleeve



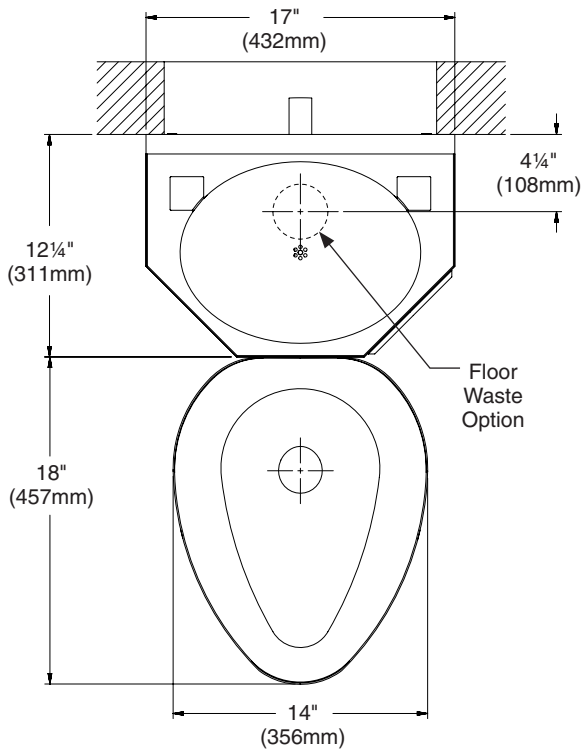
Multiple Openings in Wall

Five-Sided Unit Dimensions

COMBI55000 Series

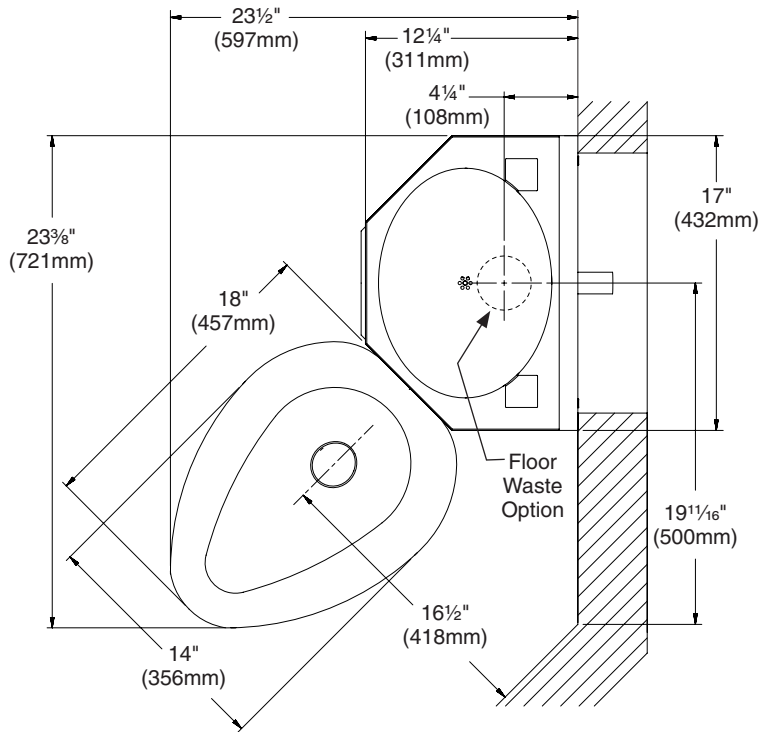
(Center Configuration)

Top View

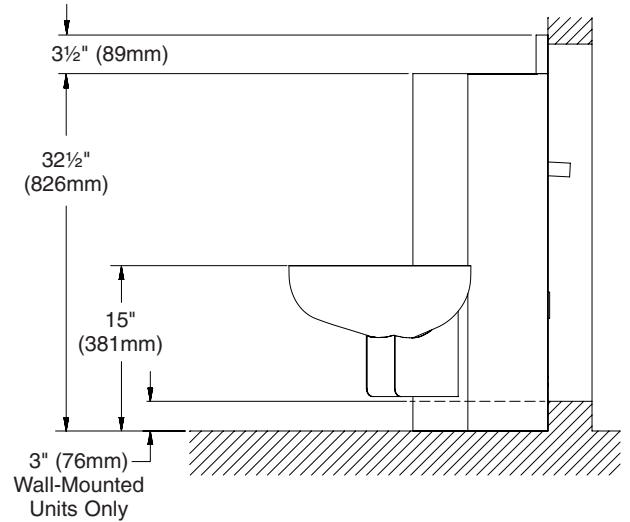
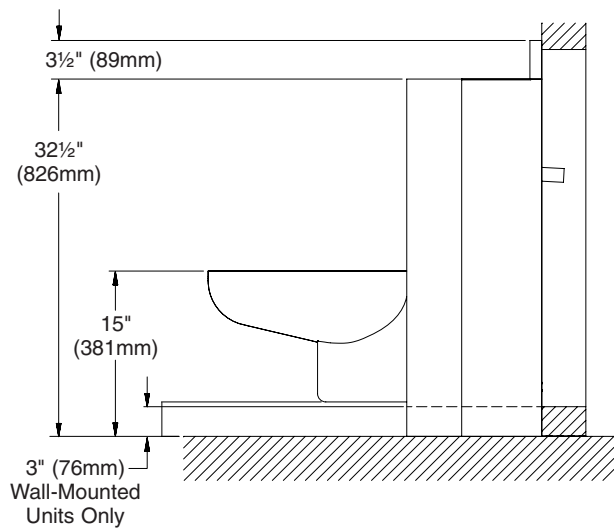


COMBI55000 Series

(Angle Configuration)



Side View



1 Install Unit

A Insert six ½"-13 threaded studs (supplied by installer) into the back of the unit and screw in approximately ½".

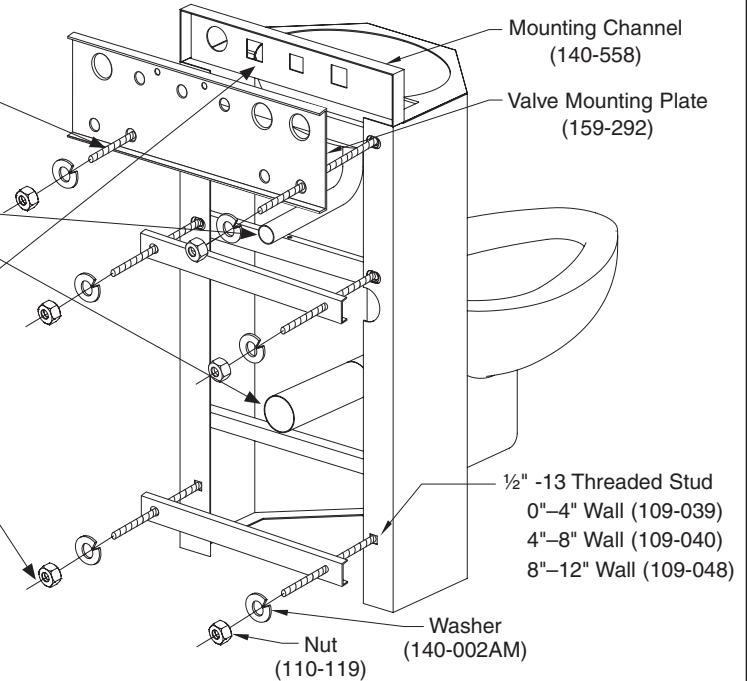
B Connect the flush valve supply pipe, lav waste, and toilet waste (supplied by installer) to the couplings located on the back of the fixture.

C Sliding studs and pipes through the wall openings, position the fixture in place (top of integral toilet seat is 15" above finished floor). Mount Valve Assembly.

D Secure the fixture to the wall using anchor brackets, washers, and nuts provided.

All fasteners must be securely tightened to approximately 30 ft./lbs.

When finished, turn on the water supplies and check for leaks and adequate water flow. Activate lavatory pushbuttons and flush valve several times to purge air from the lines.



Cleaning and Maintenance for Stainless Steel

Material Description: Stainless steel is extremely durable, and maintenance is simple and inexpensive. Proper care, particularly under corrosive conditions, is essential. Always start with the simplest solution and work your way toward the more complicated.

Routine cleaning: Daily or as often as needed use a solution of warm water and soap, detergent, or ammonia. Apply the cleaning solution per the manufacturer's instructions and always use a soft cloth or sponge to avoid damaging the finish.

Stubborn Stains: To remove stains from stainless steel use a stainless steel cleaner and polish such as Ball® stainless steel cleaner or a soft abrasive. Always follow the manufacturer's instructions and apply in the same direction as the polish lines.

⚠ Never use ordinary steel wool or steel brushes on stainless steel. Always use stainless steel wool or stainless steel brushes.

Fingerprints and Smears: To remove fingerprints or smears use a high quality stainless steel cleaner and polish in accordance with the manufacturer's instructions. Many of these products leave a protective coating that helps prevent future smears and fingerprints.

Grease and Oil: To remove grease and oil use a quality commercial detergent or caustic cleaner. Apply in accordance to the manufacturer's instructions and in the direction of the polish lines.

Precautions: Avoid prolonged contact with chlorides (bleaches, salts), bromides (sanitizing agents), thiocyanates (pesticides, photography chemicals, and some foods), and iodides on stainless steel equipment, especially if acid conditions exist.

⚠ Do not permit salty solutions to evaporate and dry on stainless steel.

The appearance of rust streaks on stainless steel leads to the belief that the stainless steel is rusting. Look for the actual source of the rust in some iron or steel particles which may be touching, but not actually a part of the stainless steel structure.

Strongly acidic or caustic cleaners may attack the steel causing a reddish film to appear. The use of these cleaners should be avoided.

Brand Names

Use of brand names is intended only to indicate a type of cleaner. This does not constitute an endorsement, nor does the omission of any brand name cleaner imply inadequacy. Many products named are regional in distribution, and can be found in local supermarkets, department and hardware stores, or through your cleaning service. It is emphasized that all products should be used in strict accordance with package instructions.