

- 5-1/2" diameter waste flange connection
- All units factory tested for proper operation

Specifications

Materials

All cabinet materials, including interior piping are Type 304 stainless steel. The fixture is made from heavy gauge stainless steel with seamless welded surfaces.

Construction

Cabinet/Toilet

All welded construction with exposed welds ground smooth, and all accessible seams and voids eliminated. Fixture will withstand up to 5,000 lb. load on front edge of toilet (certified test results of such loading are available upon request). Interior of cabinet has fire-resistant, sound-deadening material. Toilet bowl is offset. Access panels for connections and service are located on front and sides of cabinet.

Lavatory

Die-drawn oval bowl has multiple-hole fast drain with air vent. Self-draining soap dishes, integral escutcheons and bubbler are formed into countertop. Lavatory bowl measures 13-1/4" x 10" x 5" deep. Lavatory waste must be chosen from selection list.

Toilet

Elongated die-drawn bowl has blowout jet action for positive flush. 30 PSI (flowing into flush valve) required for flushing. Toilet assembly meets ANSI A112.19.6 specifications. Integral or hinged plastic seat optional. Flange waste standard (no-hub connection optional).



When choosing the Floodbuster option, a minimum of 35 PSI flowing into the Floodbuster valve is required.

Lavatory Valve

Hot and cold lavatory valve with deck-mounted spout is supplied when specified. Spout and push buttons fully assembled in unit. Unit available with self-closing air-leaking valve or TouchTime™ electronic valve.

Flush Valve

Flush valve is not included as standard equipment with the unit. Flush valve included when specified.

Finish

All exposed stainless steel surfaces have a bead blast finish. (#4 satin finish except integral toilet seat which has #7 high polish sanitary finish optional). Exposed fitting surfaces are triple chrome plated.

Wall Anchoring

No exposed mounting fasteners in cell area. Fixture is completely secured from inside with rust-resistant mounting hardware. Wall anchors furnished by others.



Standard product selections contained within this document are third party **CERTIFIED** to NSF/ANSI 372 meeting the Lead-Free content requirement. Any product configured with custom options will be **COMPLIANT** with NSF/ANSI 372 meeting the Lead-Free content requirement.



Certified to
NSF/ANSI 372

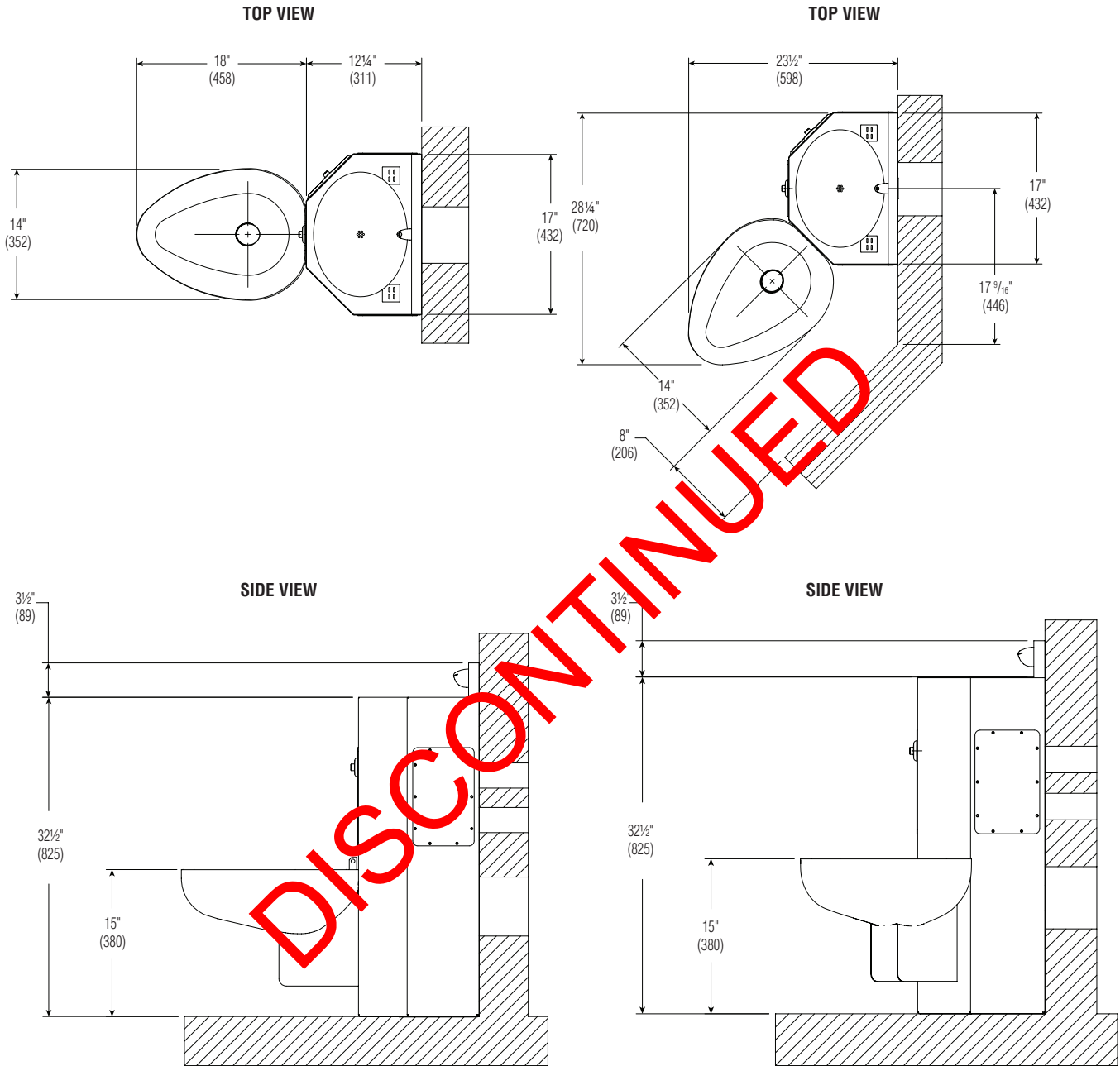


Model	Description
<input checked="" type="checkbox"/> COMBI5600	17" Front Mounted 5-Sided Stainless Steel Combi
Required Selections (Must select one from each category)	
Bowl Configuration (select one):	
<input type="checkbox"/> L Left Hand Configuration	<input type="checkbox"/> C Center Configuration
<input type="checkbox"/> R Right Hand Configuration	
Lavatory Valve Button Location (select one):	
<input type="checkbox"/> LPB Left Side Flush	<input type="checkbox"/> RPB Right Side Flush
Fixture Mounting:	
<input checked="" type="checkbox"/> FTD Floor Standing	
Toilet Waste Outlet (select one):	
<input type="checkbox"/> WALL Wall Outlet	<input type="checkbox"/> FLOOR Floor Outlet
Toilet Waste Outlet Connection (select one):	
<input type="checkbox"/> N-N No-Hub Waste Connection	<input type="checkbox"/> FLNG Flange Waste Connection
Toilet Seat (select one):	
<input type="checkbox"/> ISEAT Integral Seat	<input type="checkbox"/> PSEAT Plastic Seat (White)
Finish (select one):	
<input type="checkbox"/> BB Bead Blast (Standard)	<input type="checkbox"/> PS Polished Stainless Steel
Wall Thickness (select one):	
<input type="checkbox"/> FM Front-Mount Hardware	
<input type="checkbox"/> 0-4 0-4" Wall Thickness	
<input type="checkbox"/> 4-8 4-8" Wall Thickness	
<input type="checkbox"/> 8-12 8-12" Wall Thickness	
Valve (select one):	
<input type="checkbox"/> ASTS Air Single Temp Self-Closing Valve	
<input type="checkbox"/> ADTS Air Dual Temp Self-Closing Valve	
<input type="checkbox"/> ASTM Air Single Temp Metering Valve	
<input type="checkbox"/> ADTM Air Dual Temp Metering Valve	
<input type="checkbox"/> TTST* TouchTime® Single Temp Electronic Metering Valve	
<input type="checkbox"/> TTDT* TouchTime® Dual Temp Electronic Metering Valve	
<input type="checkbox"/> NV No Valve	
Filler/Bubbler (select one):	
<input type="checkbox"/> PF Penal Filler	<input type="checkbox"/> CF Code Filler
<input type="checkbox"/> NF No Filler	
Lavatory Waste (select one):	
<input type="checkbox"/> T-NH Tailpiece - No-Hub (Stainless Steel)	
<input type="checkbox"/> CW Combined Waste	
<input type="checkbox"/> CW-CO Combined Waste w/Clean-Out	
Flush Valve (select one):	
<input type="checkbox"/> LCHFV Low Consumption Hydraulic Flush Valve	
<input type="checkbox"/> LCTTFV Low Consumption Touchtime® Electronic Flush Valve	
<input type="checkbox"/> NFV No Flush Valve	

Optional Selections
Water Closet Waste Outlet Accessories:
<input type="checkbox"/> 3NH 3" No-Hub Coupling
<input type="checkbox"/> 4NH 4" No-Hub Coupling
<input type="checkbox"/> GSKT Neoprene Flange Gasket
Removable Lavatory Waste Accessories:
<input type="checkbox"/> R1 1/2PN 1-1/2" P-Trap – No Hub
Recessed Tissue Holder:
<input type="checkbox"/> RTH Recessed Tissue Holder
Towel Hook:
<input type="checkbox"/> TH Towel Hook
Toothbrush Holder (located on side opposite toilet):
<input type="checkbox"/> TBH Toothbrush Holder
Floodbuster (must be located in chase):
<input type="checkbox"/> FBM Mechanical Floodbuster

DISCONTINUED

* Requires 24 V Class 2 Transformer, available as separate item from Bradley

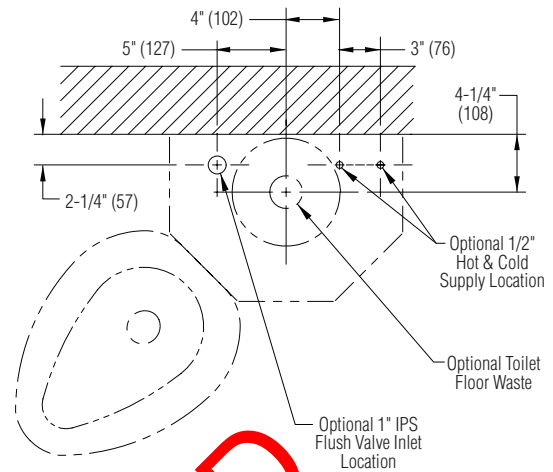
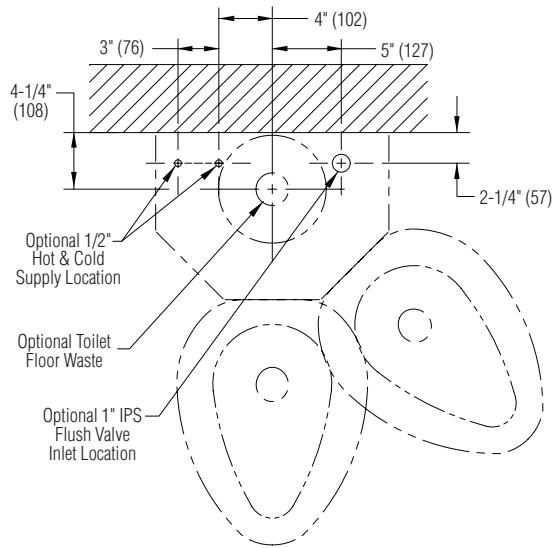


Straight Water Closet

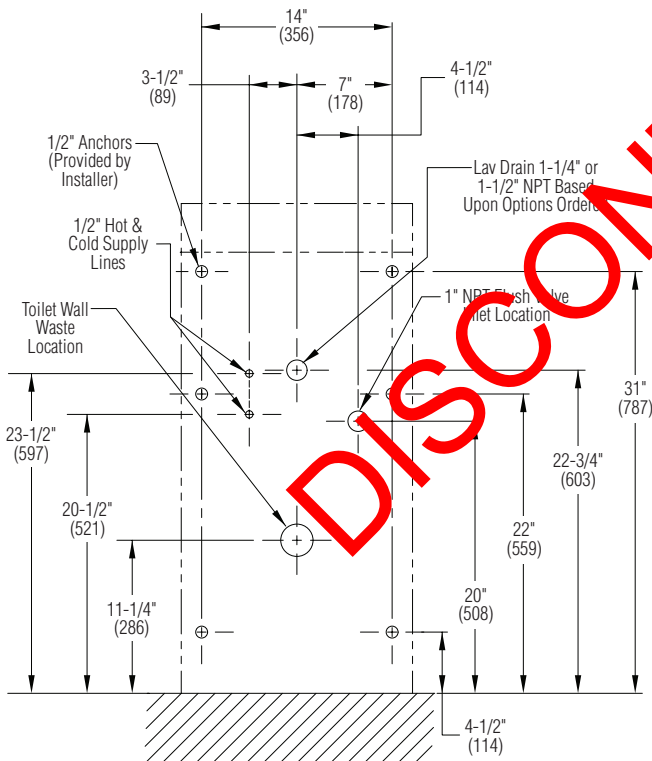


*Right-hand unit is shown.
 Left-hand unit is mirror image.*

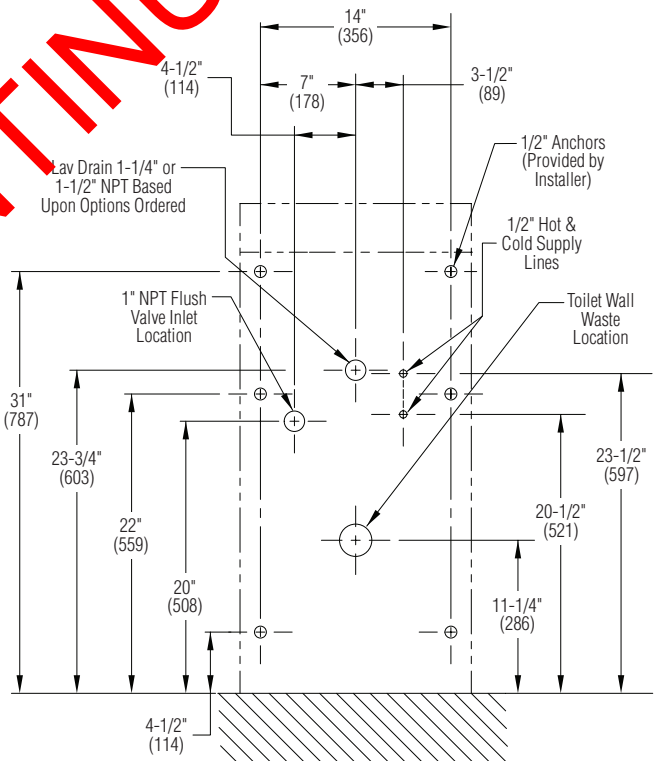
Angled Water Closet



Mounting Locations Shown from Fixture Side of Wall



**Right Side and Center
 Rough-in Dimensions**



**Left Side
 Rough-in Dimensions**

DISCONTINUED