

- Specify color _____
(See color chart in back of catalog)
- Model 2298 — Recessed
- Model 2298-10 — Semi-Recessed
(recesses 1⁵/₈" ; projects 2⁵/₁₆")
- Model 2298-11 — Surface-Mounted
(projects 3¹⁵/₁₆")
- Accent Series — Color Laminate

Product Materials

CABINET: 22 gauge stainless steel with exposed surfaces in architectural satin finish. Welded construction with seamless corners and burr-free edges.

DOOR: 5/16" thick solid laminate, made of colored Melamine bonded under high pressure to a phenolic core. All exposed edges are machined smooth to a uniform dark finish. Attached to cabinet with full length, heavy duty stainless steel piano hinge. Equipped with two latches. Tumbler locks optional.

TOWEL DISPENSER: 22 gauge stainless steel. Rolled edge on dispenser opening.

WASTE RECEPTACLE INSERT: leakproof molded plastic.

Capacity

Towel Dispenser — 475 multi-fold or 350 C-fold paper towels.
Waste Receptacle Insert — 1.7 gal. (.22 cu. ft.)

Operation

Towel dispenser holds multi-fold or C-fold towels without use of special adaptor. Waste receptacle insert removable by opening cabinet door.

Installation

Verify all rough-in dimensions prior to installation. Recessed unit requires rough wall opening 12¹/₄"W x 26⁵/₈"H x 4"D (Semi-recessed unit only 1³/₄" deep). Secure to framing with mounting screws (included) at holes provided. Shim at screw points as required. Surface-mounted units must have holes drilled by installer.

Guide Specification

Recessed combination towel dispenser and waste receptacle shall be fabricated of heavy gauge stainless steel. Cabinet door of 5/16" thick solid laminate with full length piano hinge and secured by two latches. Towel dispenser capacity 475 multi-fold or 350 C-fold towels. Removable 1.7 gal. leakproof molded plastic insert for waste receptacle.

Overall dimensions: 14¹/₄"W x 28¹/₄"H x 3¹⁵/₁₆"D.



DISCONTINUED

Optional Features

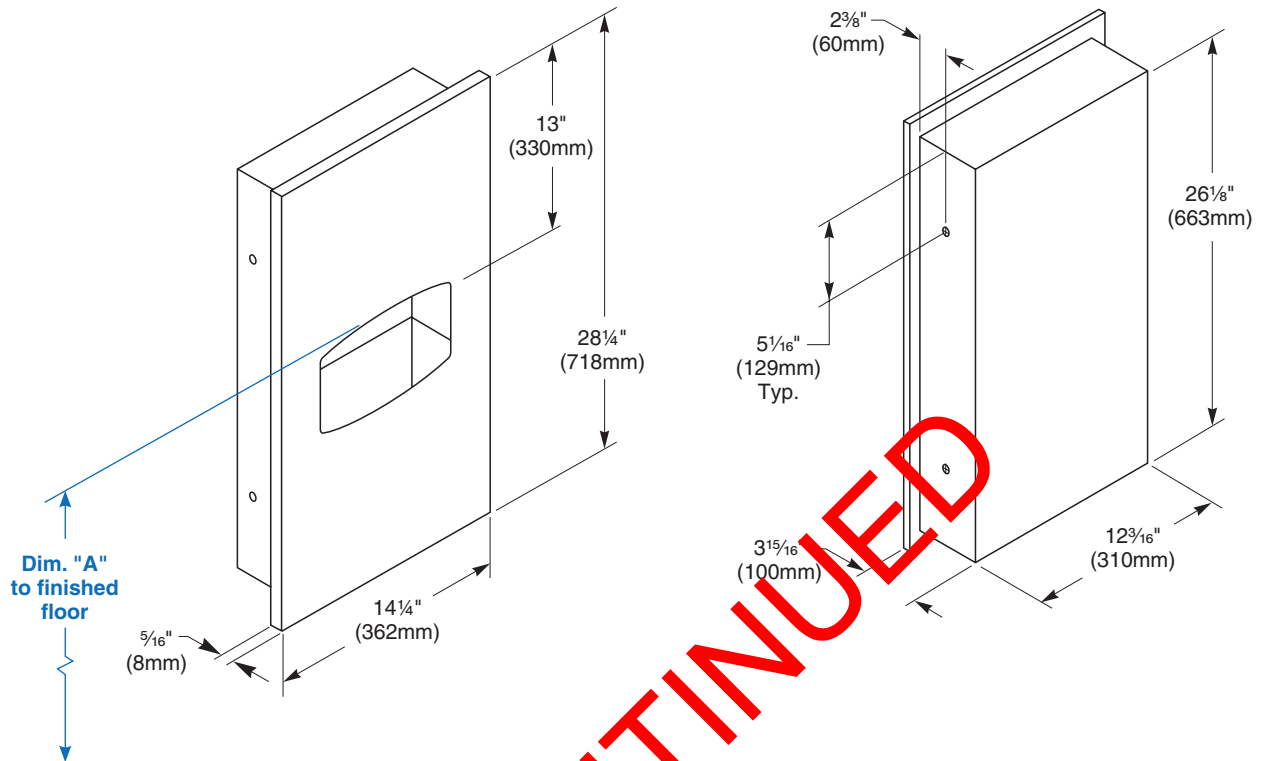
Feature	Suffix
<input type="checkbox"/> Tumbler lock	-15

ADA Compliant

- Consult local and national accessibility codes for proper installation guidelines.
- Conformity and compliance to local and national codes is the responsibility of the installer.

**Washroom Accessories
Document No. 8125**

Dimensions



Dim. "A" Key Surface:	For Dim. "A"	Top of Rough Wall Opening	Bottom of Rough Wall Opening
Paper towel top of opening to finished floor	48" (1219mm)	59" (1499mm)	32 ³ / ₈ " (822mm)
	45" (1143mm)	56" (1422mm)	29 ³ / ₈ " (746mm)
	42" (1067mm)	53" (1346mm)	26 ³ / ₈ " (670mm)
	40" (1016mm)	51" (1295mm)	24 ³ / ₈ " (619mm)
Rough wall opening:			
Surface Mount:	No rough opening, see overall dimensions		
Recessed:	12 ² / ₈ " (323mm) Wide x 26 ⁵ / ₈ " (677mm) High x 4" (102mm) Deep		
Semi-recessed:	12 ² / ₈ " (323mm) Wide x 26 ⁵ / ₈ " (677mm) High x 1 ³ / ₄ " (45mm) Deep		

**Washroom Accessories
Document No. 8125**