

# Installation Instructions

**LAV6101**



**Chase-Mounted Barrier  
Free Rectangular Bowl  
Stainless Steel Lav**

## Table of Contents

Pre-Installation Information	2
Rough-Ins	3
Installation Instructions	4
Cleaning and Maintenance	5



### IMPORTANT

**Read this entire installation manual to ensure proper installation.**

**Make sure that water supply is completely off before installation is begun.**

**Flush all the water supply lines before making connections.**

**Before installing components, all connection supply lines must be flushed and free of all foreign material such as pipe sealant, pipe chips, solder, etc. Bradley will not be responsible for leaking valves due to the presence of foreign material, or distorted stop gaskets where excessive pressure (above 30 lbs. of torque) has been applied to the stop cap.**

**File these instructions with the owner or maintenance department.**

**Compliance and conformity to local codes and ordinances is the responsibility of the installer.**



## **Pre-Installation Information**

### **Construction**

**Materials:** All materials are heavy gauge stainless steel with seamless welded surfaces.

**Wall anchoring:** Unit is secured from chase side. There are no exposed mounting fasteners.

### **Barrier-free and ADA compliant**

The LAV6101 unit is designed to comply with all ADA guidelines on reaches, clearances, and operation.

### **Check Contents**

Separate all parts from packaging and make sure all parts are accounted for before discarding any packaging material. If any parts are missing, do not attempt to install your LAV6101 unit until you obtain the missing parts.

### **Supplies required:**

- Drain piping
- Faucet (available from Bradley)

### **Security Lavatory Warranty**

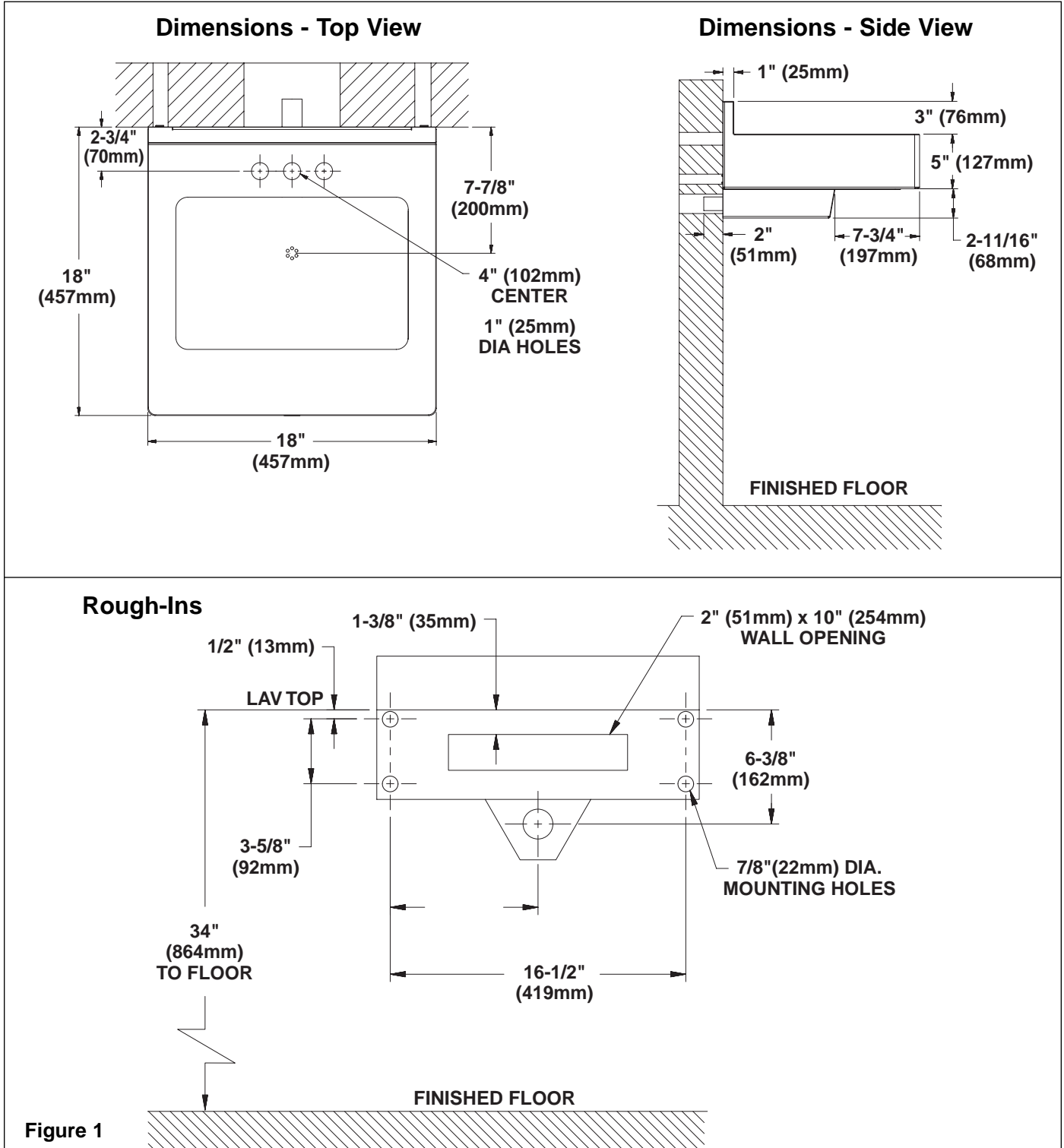
Bradley Corporation warrants to commercial and institutional purchasers only each unit free from defects in material and workmanship under normal use and service upon the following terms and conditions:

1. This warranty is limited to replacing or repairing, at our option, transportation charges prepaid by the purchaser, any Bradley unit or part thereof which our inspection shall show to have been defective within the limitations of this warranty.
2. The period during which Bradley's Security Lavatory components are warranted is measured one (1) year from the date of our invoice.
3. This warranty does not cover installation or any other labor charges and does not apply to any units which have been damaged by accident, abuse, improper installation or improper maintenance.
4. The replacement or repair of defective units as stated in this warranty shall constitute the sole remedy of the purchaser and the sole liability of Bradley Corporation under this warranty. Bradley Corporation shall not otherwise be liable under any indirect damages caused by defects in the repair or replacement thereof.
5. This warranty extends only to commercial and institutional purchaser and does not extend to any others, including consumer customers of commercial institutional purchasers.
6. This warranty is in lieu of all other warranties, expressed or implied, including any implied warranty of merchantability or fitness for a particular purpose or otherwise.

# Installation Instructions

## Step 1: Rough-In

1. Rough in the wall openings as shown in Figure 1.



## Installation Instructions *continued . . .*

### Step 2: Mount lavatory to wall

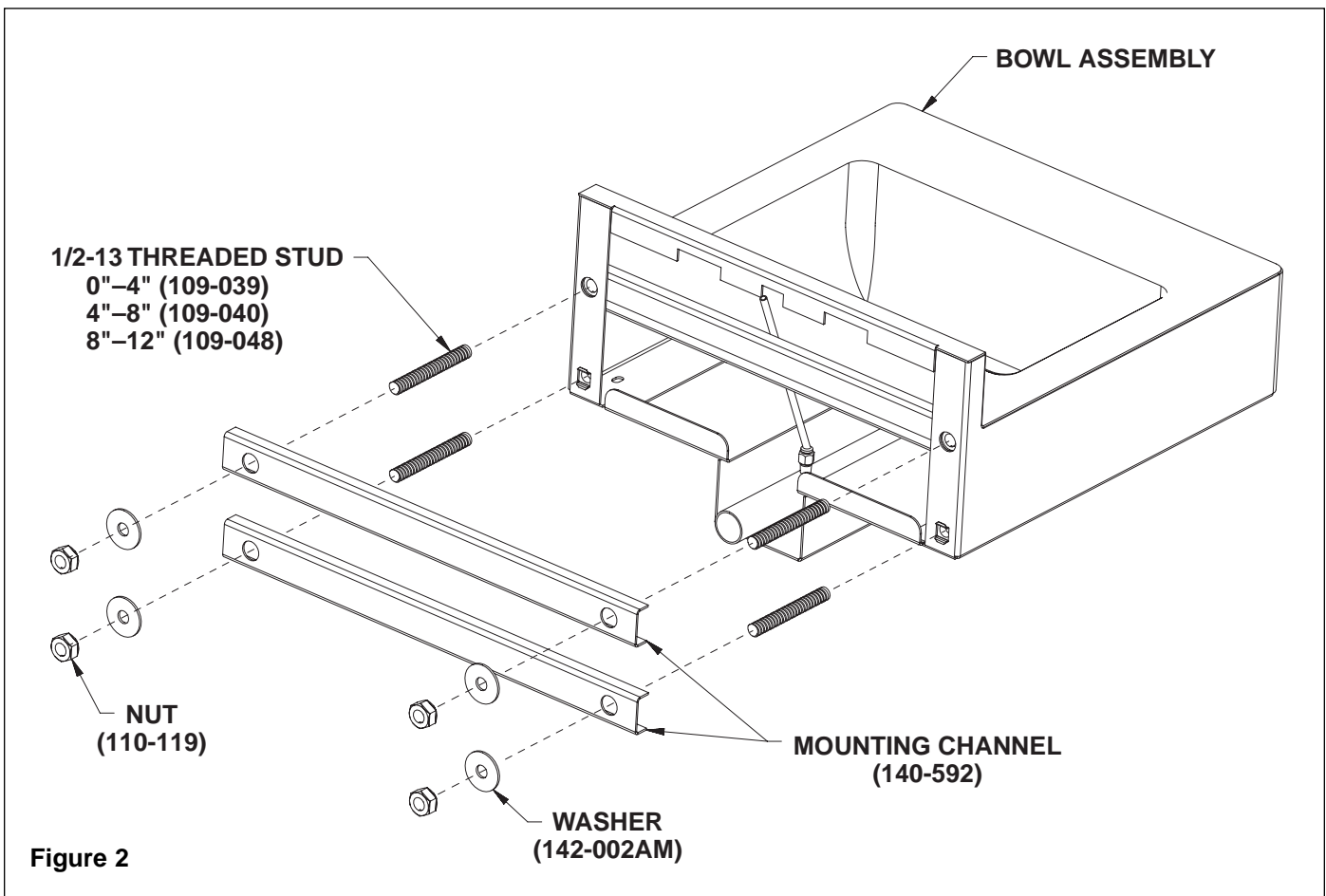
**⚠ IMPORTANT:** All fasteners must be securely tightened to approximately 60 ft./lbs. All mounting hardware provided by Bradley is essential for properly anchoring units. Bradley cannot assume responsibility for units improperly installed.

1. Insert four 1/2"-13 threaded studs (supplied by installer) onto the back of the unit and screw in approximately 1/2".
2. Slide the studs and pipe through the wall openings and position the unit into place.
3. Connect the wall drain pipe to the drain coupling located on the back of the fixture.
4. Secure the unit to the wall with the brackets, nuts and washers provided. Fasteners must be securely tightened to 60 ft. lbs.

### Step 3: Connect supply, drain and waste

**⚠ IMPORTANT:** Flush all supply lines thoroughly before making connections.

1. Install the faucet according to the installation instructions provided by the faucet manufacturer.
3. Turn on the water to the lavatory and check for leaks.
4. Activate the faucet to purge air from the lines.



## Cleaning and Maintenance Instructions for Stainless Steel

**Material Description:** Stainless steel is extremely durable, and maintenance is simple and inexpensive. Proper care, particularly under corrosive conditions, is essential. Always start with the simplest solution and work your way toward the more complicated.

**Routine cleaning:** Daily or as often as needed use a solution of warm water and soap, detergent, or ammonia. Apply the cleaning solution per the manufactures instructions and always use a soft cloth or sponge to avoid damaging the finish.

**Stubborn Stains:** To remove stains from stainless steel use a stainless steel cleaner and polish such as Ball® stainless steel cleaner or a soft abrasive. Always follow the manufactures instructions and apply in the same direction as the polish lines.



**IMPORTANT: NEVER USE ORDINARY STEEL WOOL OR STEEL BRUSHES ON STAINLESS STEEL. ALWAYS USE STAINLESS STEEL WOOL OR STAINLESS STEEL BRUSHES.**

### Special Situations for Material

**Fingerprints and Smears:** To remove fingerprints or smears use a high quality stainless steel cleaner and polish in accordance with the manufactures instructions. Many of these products leave a protective coating the helps prevent future smears and fingerprints.

**Grease and Oil :** To remove grease and oil use a quality commercial detergent or caustic cleaner. Apply in accordance to the manufactures instructions and in the direction of the polish lines.

**Precautions:** Avoid prolonged contact with chlorides (bleaches, salts), bromides (sanitizing agents), thiocyanates (pesticides, photography chemicals, and some foods), and iodides on stainless steel equipment, especially if acid conditions exist.



**IMPORTANT: DO NOT PERMIT SALTY SOLUTIONS TO EVAPORATE AND DRY ON STAINLESS STEEL.**

The appearance of rust streaks on stainless steel leads to the belief that the stainless steel is rusting. Look for the actual source of the rust in some iron or steel particles which may be touching, but not actually a part of the stainless steel structure.

*NOTE: Strongly acidic or caustic cleaners may attack the steel causing a reddish film to appear. The use of these cleaners should be avoided.*

**Brand Names:** Use of brand names is intended only to indicate a type of cleaner. This does not constitute an endorsement, nor does the omission of any brand name cleaner imply its inadequacy. Many products named are regional in distribution, and can be found in local supermarkets, department and hardware stores, or through your cleaning service. It is emphasized that all products should be used in strict accordance with package instructions.