

# Installation

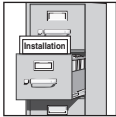
## LAV6180FM

### Front-Mounted Stainless Steel Barrier Free Drinking Fountain

#### Table of Contents

Supplies Required . . . . .	2
Dimensions . . . . .	2
Rough-Ins . . . . .	2
Installation . . . . .	3
Cleaning and Maintenance . . . . .	4

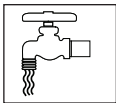
## IMPORTANT!



Read this entire installation manual to ensure proper installation, then file this manual with the owner or maintenance department. Compliance and conformity to local codes and ordinances is the responsibility of the installer.



Separate parts from packaging and make sure all parts are accounted for before discarding any packaging material. If any parts are missing, do not begin installation until you obtain the missing parts.



Before installing components, all supply lines must be flushed and free of debris such as pipe dope, pipe chips, solder, etc. and then turned off. Bradley will not be responsible for leaking valves due to the presence of foreign material, or distorted stop gaskets where excessive pressure (above 30 lbs. of torque) has been applied to the stop cap. After installation is complete, always turn on the water supply and press the push button to purge air from the lines. Check the unit for leaks and adequate water flow.

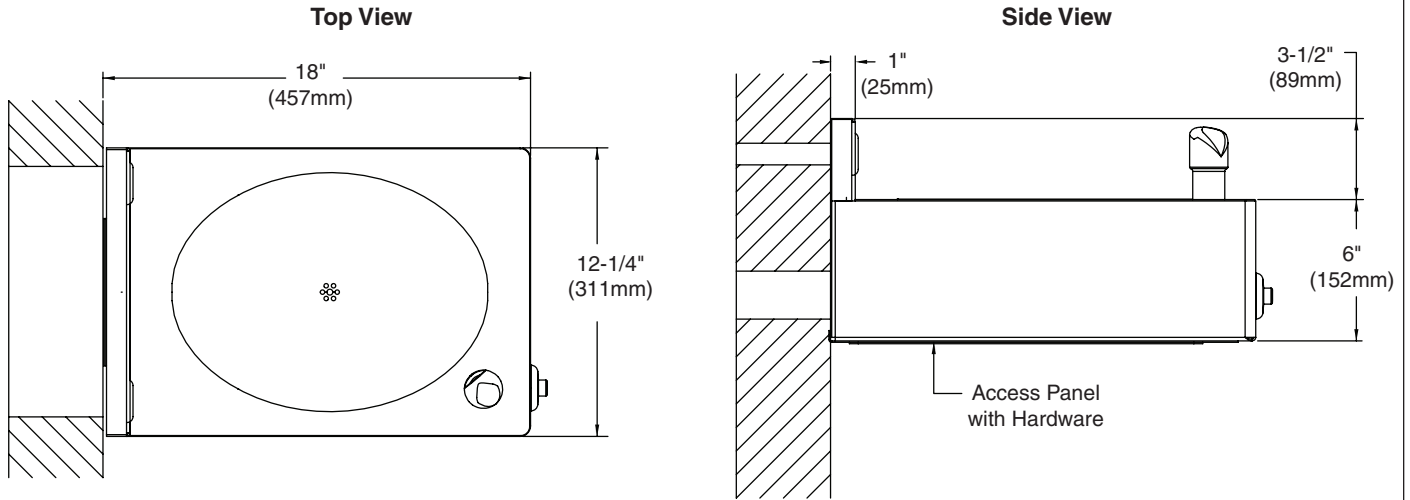


Product warranties and other information may be found under "Products" on our website at [www.bradleycorp.com](http://www.bradleycorp.com).

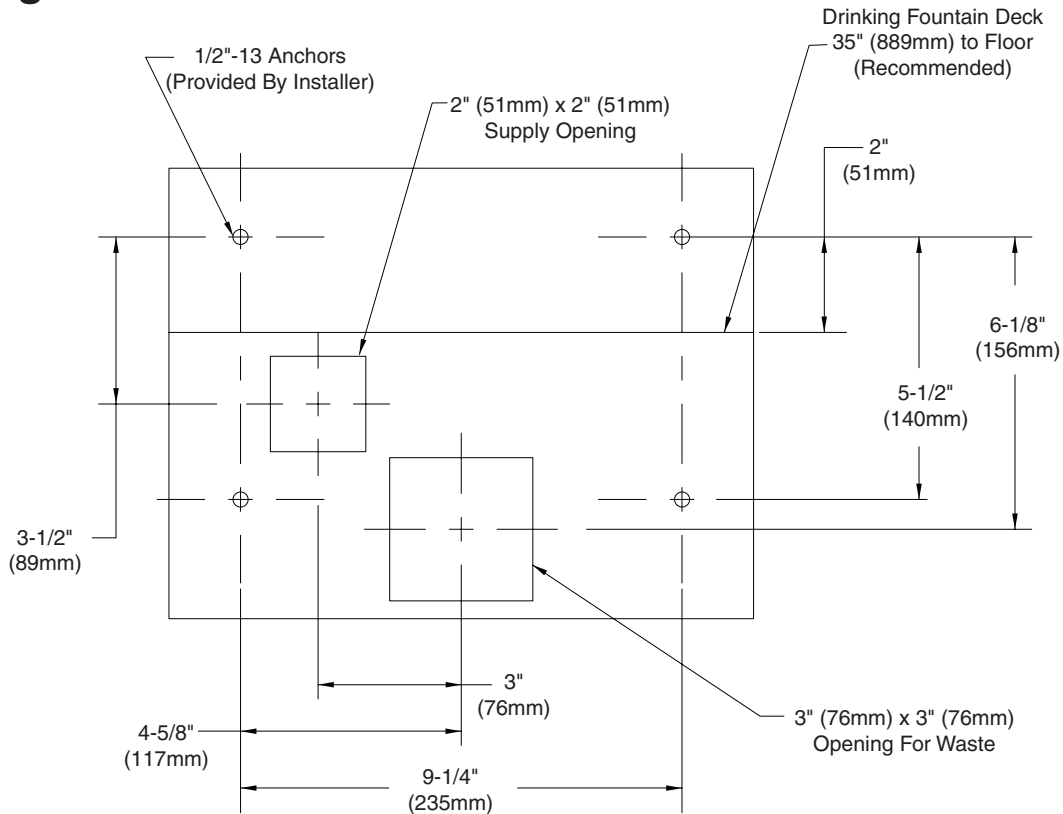
## Supplies Required

- 1/2" Nominal copper tubing for supply piping to air valve manifold for air valve units
- 1-1/4" and 1-1/2" no hub connector for lavatory waste outlet

## Dimensions



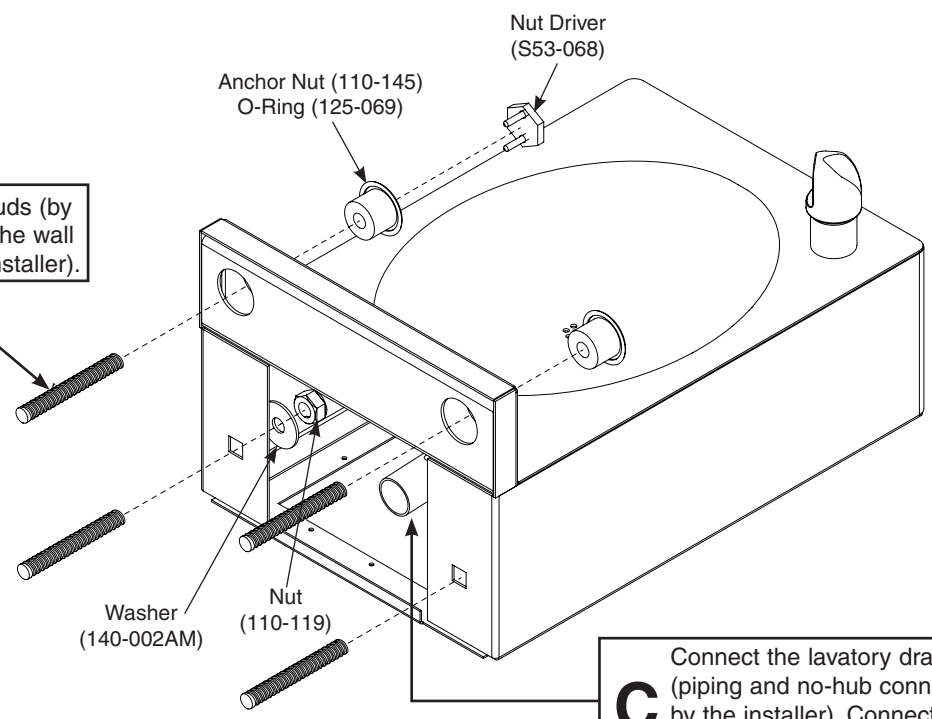
## 1 Rough-Ins



## 2 Installation

**A** Thread the studs (by Bradley) into the wall anchors (by installer).

**B** Slide the unit onto the studs. Using the nut driver provided, secure the unit to the wall with the anchor nuts and hardware provided.



**C** Connect the lavatory drain to the elbow (piping and no-hub connector supplied by the installer). Connect the water supply piping.

## Cleaning and Maintenance for Stainless Steel

**Material Description:** Stainless steel is extremely durable, and maintenance is simple and inexpensive. Proper care, particularly under corrosive conditions, is essential. Always start with the simplest solution and work your way toward the more complicated.

**Routine cleaning:** Daily or as often as needed use a solution of warm water and soap, detergent, or ammonia. Apply the cleaning solution per the manufacturer's instructions and always use a soft cloth or sponge to avoid damaging the finish.

**Stubborn Stains:** To remove stains from stainless steel use a stainless steel cleaner and polish such as Ball® stainless steel cleaner or a soft abrasive. Always follow the manufacturer's instructions and apply in the same direction as the polish lines.

**NOTICE! Never use ordinary steel wool or steel brushes on stainless steel. Always use stainless steel wool or stainless steel brushes.**

### Special Situations for Material

**Fingerprints and Smears:** To remove fingerprints or smears use a high quality stainless steel cleaner and polish in accordance with the manufacturer's instructions. Many of these products leave a protective coating that helps prevent future smears and fingerprints.

**Grease and Oil:** To remove grease and oil use a quality commercial detergent or caustic cleaner. Apply in accordance to the manufacturer's instructions and in the direction of the polish lines.

**Precautions:** Avoid prolonged contact with chlorides (bleaches, salts), bromides (sanitizing agents), thiocyanates (pesticides, photography chemicals, and some foods), and iodides on stainless steel equipment, especially if acid conditions exist.

**NOTICE! Do not permit salty solutions to evaporate and dry on stainless steel.**

The appearance of rust streaks on stainless steel leads to the belief that the stainless steel is rusting. Look for the actual source of the rust in some iron or steel particles which may be touching, but not actually a part of the stainless steel structure.

**NOTICE! Strongly acidic or caustic cleaners may attack the steel causing a reddish film to appear. The use of these cleaners should be avoided.**

### Brand Names

Use of brand names is intended only to indicate a type of cleaner. This does not constitute an endorsement, nor does the omission of any brand name cleaner imply inadequacy. Many products named are regional in distribution, and can be found in local supermarkets, department and hardware stores, or through your cleaning service. It is emphasized that all products should be used in strict accordance with package instructions.