

- Meets all applicable ADA height and clearance requirements
- All units factory tested for proper operation

Specifications

Materials

All cabinet materials, including interior piping, are Type 304 stainless steel. The fixture is made from heavy gauge stainless steel with seamless welded surfaces.

Construction

Cabinet

All welded construction with exposed welds ground smooth, and all accessible seams and voids eliminated.

Lavatory

Die-drawn lavatory has multiple hole fast drain with 1-1/2" no-hub tailpiece and air vent. Lavatory bowl measures 14-1/2" x 9-1/2" x 5" deep. Valve options include self-closing pneumatic metering and electric metering valves.

Finish

All exposed stainless steel surfaces have a bead blast finish (optional polished satin finish.)

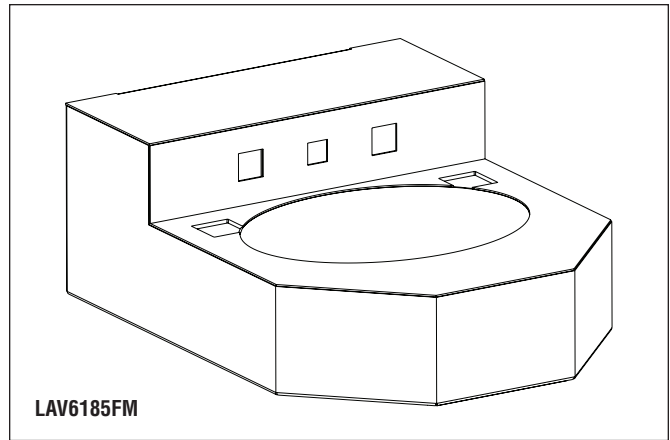
Wall Anchoring

No exposed mounting fasteners.

Unit is secured from within cabinet with mounting hardware supplied by others. Lavatory is designed to be mounted on fixture side of wall.

For optimum vandal resistance, Bradley recommends using option Bottom cover Assembly.

Standard product selections contained within this document are third party **CERTIFIED** to NSF/ANSI 372 meeting the Lead-Free content requirement. Any product configured with custom options will be **COMPLIANT** with NSF/ANSI 372 meeting the Lead-Free content requirement.



Model	Description
<input type="checkbox"/> LAV6185FM	Front Mounted Barrier-Free 5-Sided Stainless Steel Lav

Required Selections	
Finish (select one):	
<input type="checkbox"/> BB	Bead Blast (Standard)
<input type="checkbox"/> PS	Polished Stainless Steel
Valve (select one OR select a Filler/Bubbler):	
<input type="checkbox"/> AS	Air Single Temp Self-Closing Valve
<input type="checkbox"/> AATS	Air Dual Temp Self-Closing Valve
<input type="checkbox"/> ASTM	Air Single Temp Metering Valve
<input type="checkbox"/> ADTM	Air Dual Temp Metering Valve
<input type="checkbox"/> T1ST*	TouchTime® Single Temp Electronic Metering Valve
<input type="checkbox"/> TTDT*	TouchTime® Dual Temp Electronic Metering Valve
<input type="checkbox"/> NV	No Valve
Filler/Bubbler (select one OR select a Valve):	
<input type="checkbox"/> PF	Penal Filler
<input type="checkbox"/> CF	Code Filler
<input type="checkbox"/> NF	No Filler

Optional Selections	
Removable Lavatory Waste Accessories:	
<input type="checkbox"/> R1 1/2PN	1-1/2" P-Trap – No Hub
Lav Water Supply:	
<input type="checkbox"/> TMA	Thermostatic Mixing Supply
Other Options:	
<input type="checkbox"/> AB	Angle Braces
<input type="checkbox"/> BCA	Bottom Cover Assembly*

* Recommended for optimum vandal resistance

DISCONTINUED

