

Installation Instructions

LAV6500FM

Front-Mounted Barrier Free Rectangular Bowl Stainless Steel Lav w/Shelf

Table of Contents

Pre-Installation Information	2
Rough-Ins	3
Installation Instructions	4
Cleaning and Maintenance	5



IMPORTANT

Read this entire installation manual to ensure proper installation.

Make sure the water supply is turned off completely prior to installation.

Flush all the water supply lines before making connections.

Before installing components, all connection supply lines must be flushed and free of all foreign material such as pipe sealant, pipe chips, solder, etc. Bradley will not be responsible for leaking valves due to the presence of foreign material, or distorted stop gaskets where excessive pressure (above 30 lbs. of torque) has been applied to the stop cap.

File these instructions with the owner or maintenance department.

Compliance and conformity to local codes and ordinances is the responsibility of the installer.

Pre-Installation Information

Construction

Materials: All materials are heavy gauge stainless steel with seamless welded surfaces.

Wall anchoring: Unit is secured from within cabinet with mounting hardware supplied by installer. There are no exposed mounting fasteners.

Supplies required:

- Six 1/4" wall anchors, fasteners, nuts, washers and brackets appropriate for wall construction
- Lavatory waste piping (available from Bradley)
- Faucet (available from Bradley)
- OPTIONAL ANGLE BRACKETS: Four 1/4" wall anchors and fasteners appropriate for wall construction

Check Contents

Separate all parts from packaging and make sure all parts are accounted for before discarding any packaging material. If any parts are missing, do not attempt to install your LAV6500FM unit until you obtain the missing parts.

Security Lavatory Warranty

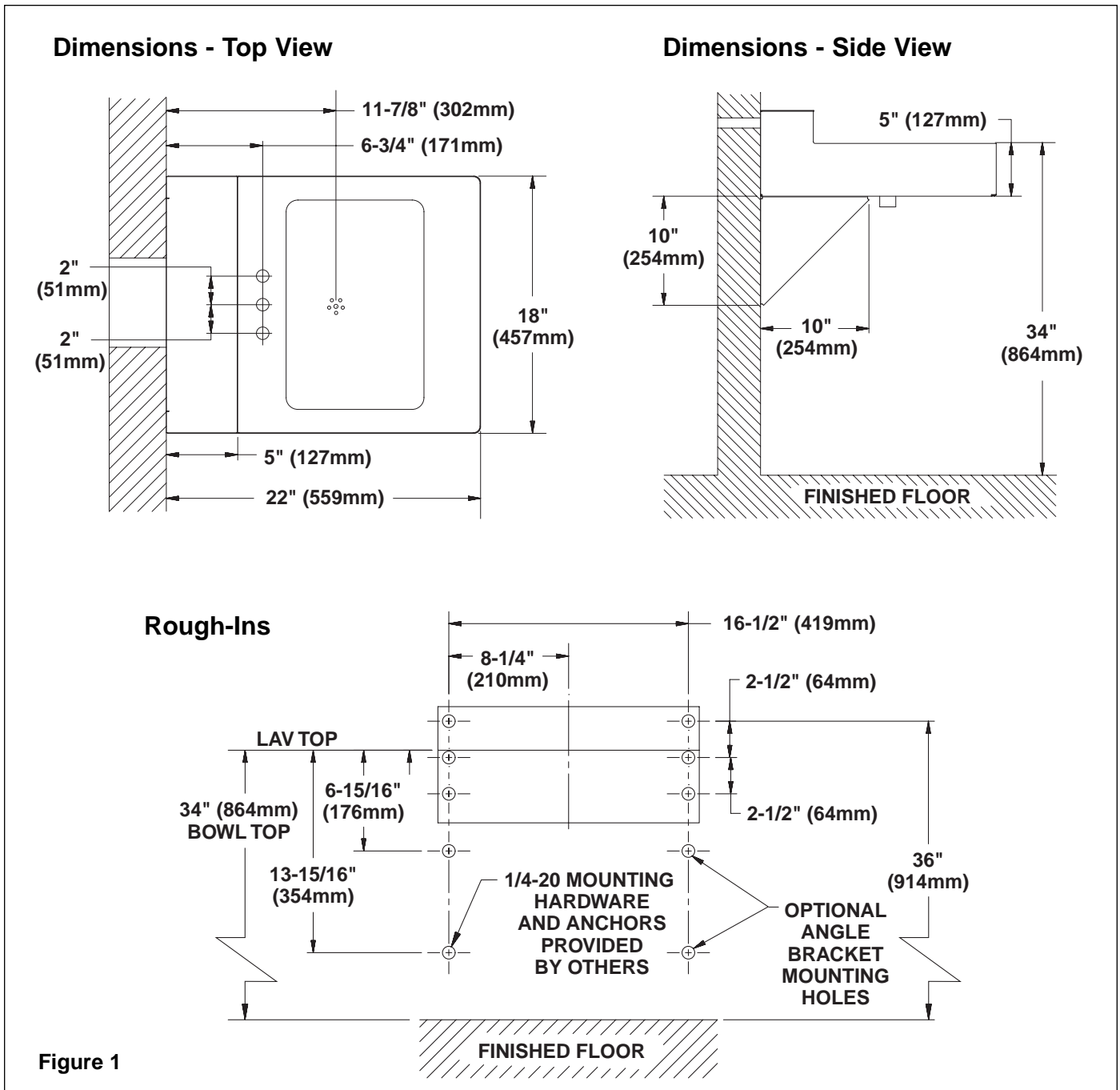
Bradley Corporation warrants to commercial and institutional purchasers only each unit free from defects in material and workmanship under normal use and service upon the following terms and conditions:

1. This warranty is limited to replacing or repairing, at our option, transportation charges prepaid by the purchaser, any Bradley unit or part thereof which our inspection shall show to have been defective within the limitations of this warranty.
2. The period during which Bradley's Security Lavatory components are warranted is measured one (1) year from the date of our invoice.
3. This warranty does not cover installation or any other labor charges and does not apply to any units which have been damaged by accident, abuse, improper installation or improper maintenance.
4. The replacement or repair of defective units as stated in this warranty shall constitute the sole remedy of the purchaser and the sole liability of Bradley Corporation under this warranty. Bradley Corporation shall not otherwise be liable under any indirect damages caused by defects in the repair or replacement thereof.
5. This warranty extends only to commercial and institutional purchaser and does not extend to any others, including consumer customers of commercial institutional purchasers.
6. This warranty is in lieu of all other warranties, expressed or implied, including any implied warranty of merchantability or fitness for a particular purpose or otherwise.

Installation Instructions

Step 1: Rough-In

1. Rough in the wall openings as shown in Figure 1.
2. Install six 1/4" anchors at the locations shown in Figure 1 (anchors are supplied by installer and suitable for mounting the lavatory to the wall).
3. OPTIONAL ANGLE BRACKETS: Install four 1/4" anchors at the locations shown in Figure 1 (anchors are supplied by installer and suitable for mounting the angle brackets to the wall).



Installation Instructions *continued* . . .

Step 2: Mount lavatory to wall

⚠ IMPORTANT: All fasteners must be securely tightened to approximately 60 ft./lbs. All mounting hardware provided by Bradley is essential for properly anchoring units. Bradley cannot assume responsibility for units improperly installed.

1. **OPTIONAL ANGLE BRACKETS:** Mount the angle brackets to the wall at the anchors installed in Step 1 (anchors and mounting hardware supplied by installer) (ref. Figure 2).
2. With the assistance of another person, lift the lavatory up and position it over the wall anchors installed in Step 1.
3. Secure the lavatory to the wall with the appropriate hardware (supplied by installer).
4. **OPTIONAL ANGLE BRACKETS:** Secure the angle brackets the bottom side of the lavatory with the hardware supplied (see Figure 2).

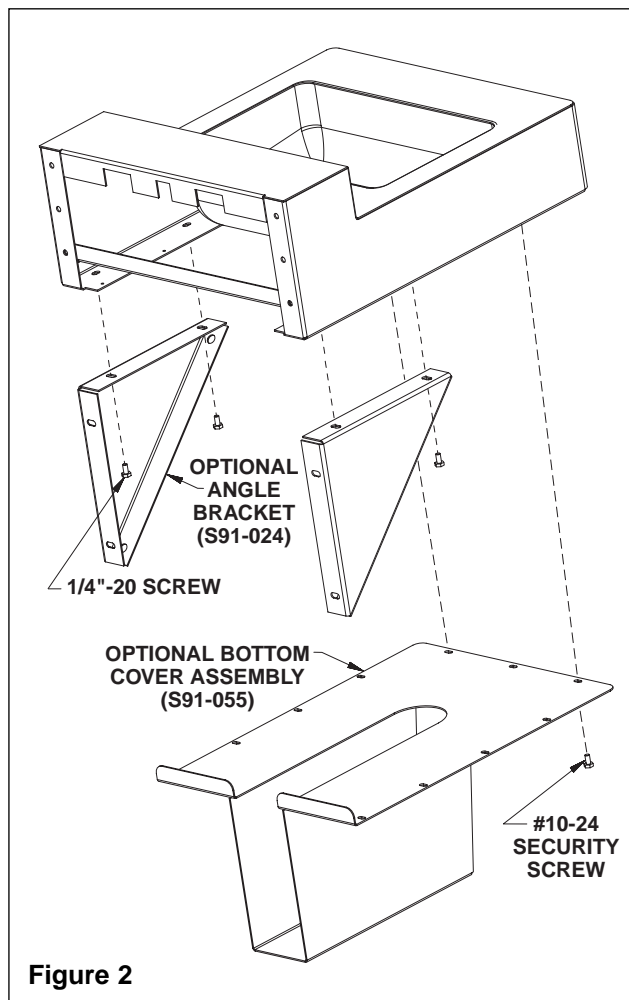
Step 3: Connect supply, drain and waste

⚠ IMPORTANT: Flush all supply lines thoroughly before making connections.

1. Make the lavatory drain connections to the elbow (piping supplied by installer).
2. Install the faucet according to the installation instructions provided by the faucet manufacturer.
3. Turn on the water to the lavatory and check for leaks.
4. Activate the faucet to purge air from the lines.

Step 4: Attach optional bottom cover assembly

1. **OPTIONAL BOTTOM COVER ASSEMBLY:** Secure the bottom cover assembly to the bottom side of the lavatory through the holes in the unit with the #10-24 security screws provided.



Cleaning and Maintenance Instructions for Stainless Steel

Material Description: Stainless steel is extremely durable, and maintenance is simple and inexpensive. Proper care, particularly under corrosive conditions, is essential. Always start with the simplest solution and work your way toward the more complicated.

Routine cleaning: Daily or as often as needed use a solution of warm water and soap, detergent, or ammonia. Apply the cleaning solution per the manufactures instructions and always use a soft cloth or sponge to avoid damaging the finish.

Stubborn Stains: To remove stains from stainless steel use a stainless steel cleaner and polish such as Ball® stainless steel cleaner or a soft abrasive. Always follow the manufactures instructions and apply in the same direction as the polish lines.



IMPORTANT: NEVER USE ORDINARY STEEL WOOL OR STEEL BRUSHES ON STAINLESS STEEL. ALWAYS USE STAINLESS STEEL WOOL OR STAINLESS STEEL BRUSHES.

Special Situations for Material

Fingerprints and Smears: To remove fingerprints or smears use a high quality stainless steel cleaner and polish in accordance with the manufactures instructions. Many of these products leave a protective coating the helps prevent future smears and fingerprints.

Grease and Oil : To remove grease and oil use a quality commercial detergent or caustic cleaner. Apply in accordance to the manufactures instructions and in the direction of the polish lines.

Precautions: Avoid prolonged contact with chlorides (bleaches, salts), bromides (sanitizing agents), thiocyanates (pesticides, photography chemicals, and some foods), and iodides on stainless steel equipment, especially if acid conditions exist.



IMPORTANT: DO NOT PERMIT SALTY SOLUTIONS TO EVAPORATE AND DRY ON STAINLESS STEEL.

The appearance of rust streaks on stainless steel leads to the belief that the stainless steel is rusting. Look for the actual source of the rust in some iron or steel particles which may be touching, but not actually a part of the stainless steel structure.

NOTE: Strongly acidic or caustic cleaners may attack the steel causing a reddish film to appear. The use of these cleaners should be avoided.

Brand Names: Use of brand names is intended only to indicate a type of cleaner. This does not constitute an endorsement, nor does the omission of any brand name cleaner imply its inadequacy. Many products named are regional in distribution, and can be found in local supermarkets, department and hardware stores, or through your cleaning service. It is emphasized that all products should be used in strict accordance with package instructions.