

- 5" rear deck
- Available with optional waste enclosures and angle brackets
- All units factory tested for proper operation

Specifications

Materials

All cabinet materials, including interior piping are Type 304 stainless steel. The fixture is made from heavy gauge stainless steel with seamless welded surfaces.

Construction

Cabinet

All welded construction with exposed welds ground smooth, and all accessible seams and voids eliminated. Backsplash panel has openings punched for fittings.

Lavatory

Lavatory bowl measures 14-1/2" x 9-1/2" x 5" deep. Valve options include self-closing, pneumatic metering, electric metering valves and 1-1/2" no-hub waste tailpiece.

Finish

All exposed stainless steel surfaces have a bead blast finish (optional #4 polished satin finish.)

Wall Anchoring

Fixture is front-mounted, anchoring hardware is by others.

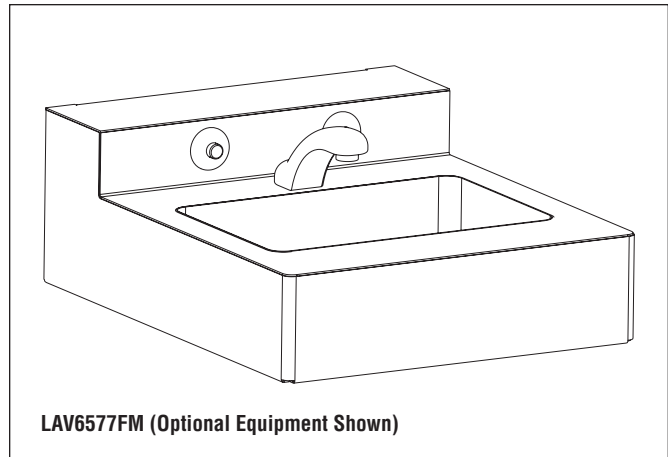
Standard Equipment

Lavatory utilizes stainless steel cabinet. Mounting hardware by others.

- Fixture is not tamper proof due to exposed piping and anchoring. Some field assembly may be required.*
- For optimum vandal resistance, Bradley recommends using optional Bottom Cover Assembly.*
- Standard product selections contained within this document are third party **CERTIFIED** to NSF/ANSI 372 meeting the Lead-Free content requirement. Any product configured with custom options will be **COMPLIANT** with NSF/ANSI 372 meeting the Lead-Free content requirement.

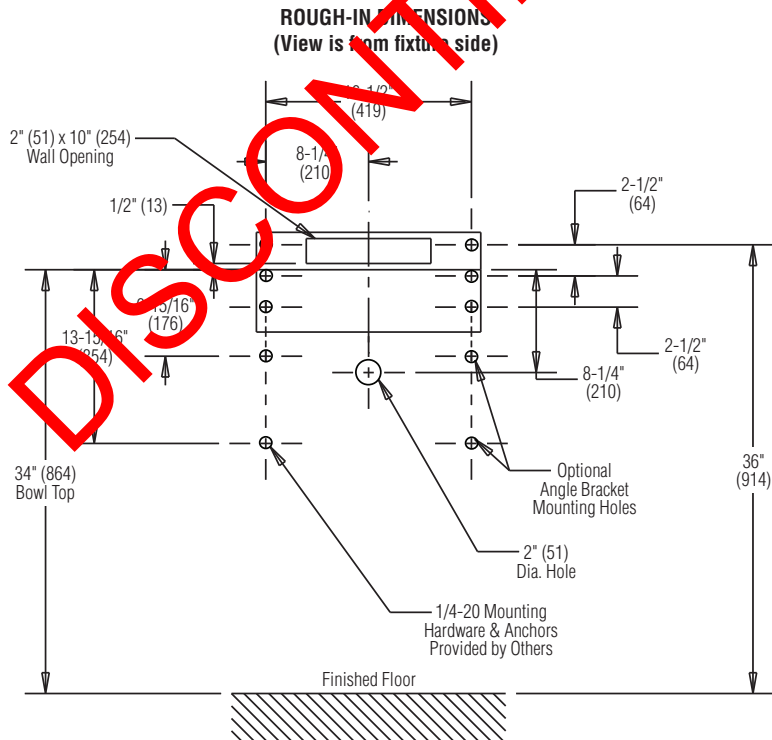
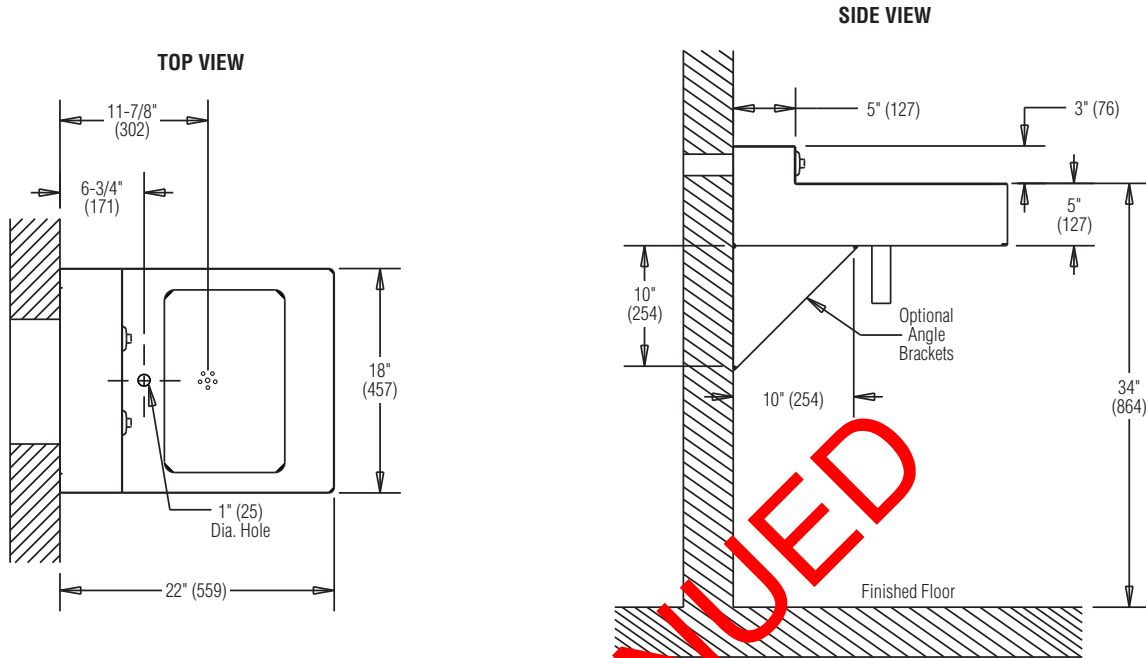


DISCONTINUED



LAV6577FM (Optional Equipment Shown)

Model	
<input type="checkbox"/> LAV6577FM	
Required Selections (Must select one from each category)	
Finish:	
<input type="checkbox"/> BB	Bead Blast (Standard)
<input type="checkbox"/> PS	Polished Stainless Steel
Valve Selection (Select One)	
<input type="checkbox"/> ASTS	Air Single Temp Self-Closing Valve
<input type="checkbox"/> ADTS	Air Dual Temp Self-Closing Valve
<input type="checkbox"/> ASTM	Air Single Temp Metering Valve
<input type="checkbox"/> ADTM	Air Dual Temp Metering Valve
<input type="checkbox"/> TTST	Touch Time™ Single Temp Electronic Metering Valve
<input type="checkbox"/> TTDT	Touch Time™ Dual Temp Electronic Metering Valve
<input type="checkbox"/> NV	No Valves
Filler/Bubbler: (Select One)	
<input type="checkbox"/> DMSP	Deck Mounted Spout
<input type="checkbox"/> DMPF	Deck Mounted Penal Filler
<input type="checkbox"/> DMCF	Deck Mounted Code Filler
<input type="checkbox"/> NF	No Filler
Lavatory Wastes:	
<input type="checkbox"/> T-NH	Tailpiece - No Hub (Standard)
Optional Selections	
Removable Lavatory Waste Accessories:	
<input type="checkbox"/> R1 1/2PN	1-1/2" P-Trap - No Hub
Lav Water Supply:	
<input type="checkbox"/> TM A	Thermostatic Mixing Supply
Other Options:	
<input type="checkbox"/> AB	Angle Braces
<input type="checkbox"/> BCA	Bottom Cover Assembly



DISCONTINUED