

- ADA compliant
- 1-1/2" NPT inlet connection
- All units factory tested for proper operation

### Specifications

#### Materials

All cabinet materials, including interior piping are Type 304 stainless steel. The fixture is made from heavy gauge stainless steel with seamless welded surfaces.

#### Construction

All welded construction with exposed welds ground smooth and all accessible seams and voids eliminated. Fixture will withstand up to 5,000 lb. load on front edge of toilet (certified test results of such loading are available upon request). Elongated, die-drawn bowl has blowout jet action for positive flush, 30 PSI (flowing into flush valve) required for flushing. A 1.6 gallon-per-flush (low-flow) toilet is standard. Toilet assembly meets ANSI/ASME A112.19.2.



*When choosing the Floodbuster option, a minimum of 35 PSI flowing into the Floodbuster valve is required.*

#### Flush Valve

Flush valve is not included as standard equipment with the unit. Flush valve included when specified.

#### Finish

All exposed stainless steel surfaces have a bead blast finish. (#4 satin finish optional, #7 high polish sanitary finish is optional for the contoured integral toilet seat). Hinged plastic seat is white.

#### Anchoring

Unit secured with 5/8" mounting studs (furnished by others) and vandal-resistant cap nuts supplied with special driver. Suitable anchors furnished by others.



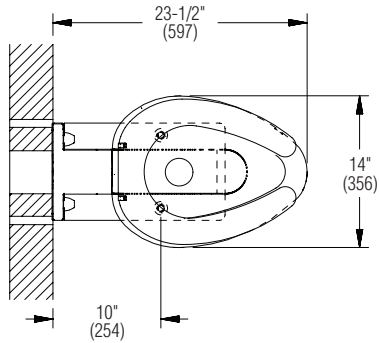
*Back-supplied fixtures require wall openings and accessible chase for installation and maintenance. Top-supplied fixtures require an accessible chase when Floodbuster option is ordered.*

Model	Description
<input type="checkbox"/> WC7339FM	Front-Mounted Blowout Jet Stainless Steel Toilet
<b>Required Selections</b> (Must select one from each category)	
<b>Supply (select one):</b>	
<input type="checkbox"/> BACK Back Supply	<input checked="" type="checkbox"/> TOP Top Supply
<b>Toilet Seat (select one):</b>	
<input type="checkbox"/> ISEAT Integral Seat	<input type="checkbox"/> PSEAT Plastic Seat (White)
<b>Finish (select one):</b>	
<input type="checkbox"/> BB Bead Blast (Standard) Steel	<input type="checkbox"/> PS Polished Stainless
<b>In Chase Flush Valve (select one):</b>	
<input type="checkbox"/> LCCPFV	Low Consumption Chrome Plated Mechanical Flush Valve
<input type="checkbox"/> LCMFV	Low Consumption Mechanical Flush Valve
<input type="checkbox"/> LCHFV	Low Consumption Hydraulic Flush Valve
<input type="checkbox"/> LCTTFV*	Low Consumption Touchtime® Electronic Flush Valve
<input type="checkbox"/> NFV	No Flush Valve

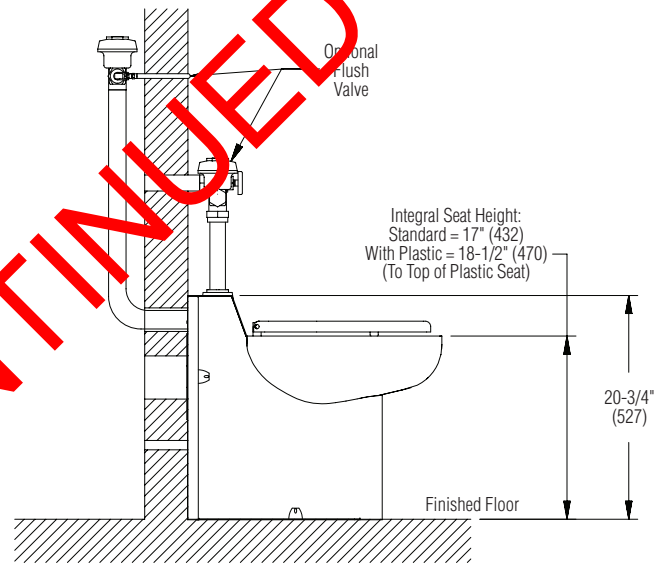
Optional Selections	
<b>Water Closet Waste Outlet Accessories:</b>	
<input type="checkbox"/> GSKT	Neoprene Flange Gasket
<b>Floodbuster (must be located in chase):</b>	
<input type="checkbox"/> FBM	Mechanical Floodbuster

\*Touchtime® requires use of transformer (24VAC) available from Bradley. (See separate Technical Info)

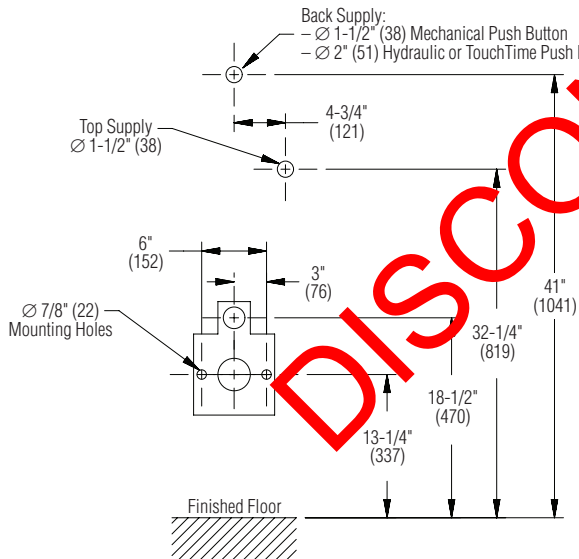
**TOP VIEW**



**SIDE VIEW**



**ROUGH-IN VIEW**



DISCONTINUED