

---

# Installation Instructions

---

## WC7449FM

### Front-Mounted Siphon Jet Stainless Steel Toilet

#### Table of Contents

Rough-Ins .....	2
Installation Instructions .....	3
Flush Valve Troubleshooting .....	4
Cleaning Stainless Steel .....	5



#### **IMPORTANT**

Read this entire installation manual to ensure proper installation, then file these instructions with the owner or maintenance department.

Separate all parts from packaging and make sure all parts are accounted for before discarding any packaging material. If any parts are missing, do not attempt to install your WC7455 unit until you obtain the missing parts.

Make sure that all water supply lines have been flushed and then completely turned off before beginning installation.

Before installing components, all connection supply lines must be flushed and free of foreign material such as pipe dope, pipe chips, solder, etc. Bradley will not be responsible for leaking valves due to the presence of foreign material, or distorted stop gaskets where excessive pressure (above 30 lbs. of torque) has been applied to the stop cap.

Product warranties may be found under "Product Information" on our web site at [www.bradleycorp.com](http://www.bradleycorp.com).

Compliance and conformity to local codes and ordinances is the responsibility of the installer.



## Installation Instructions

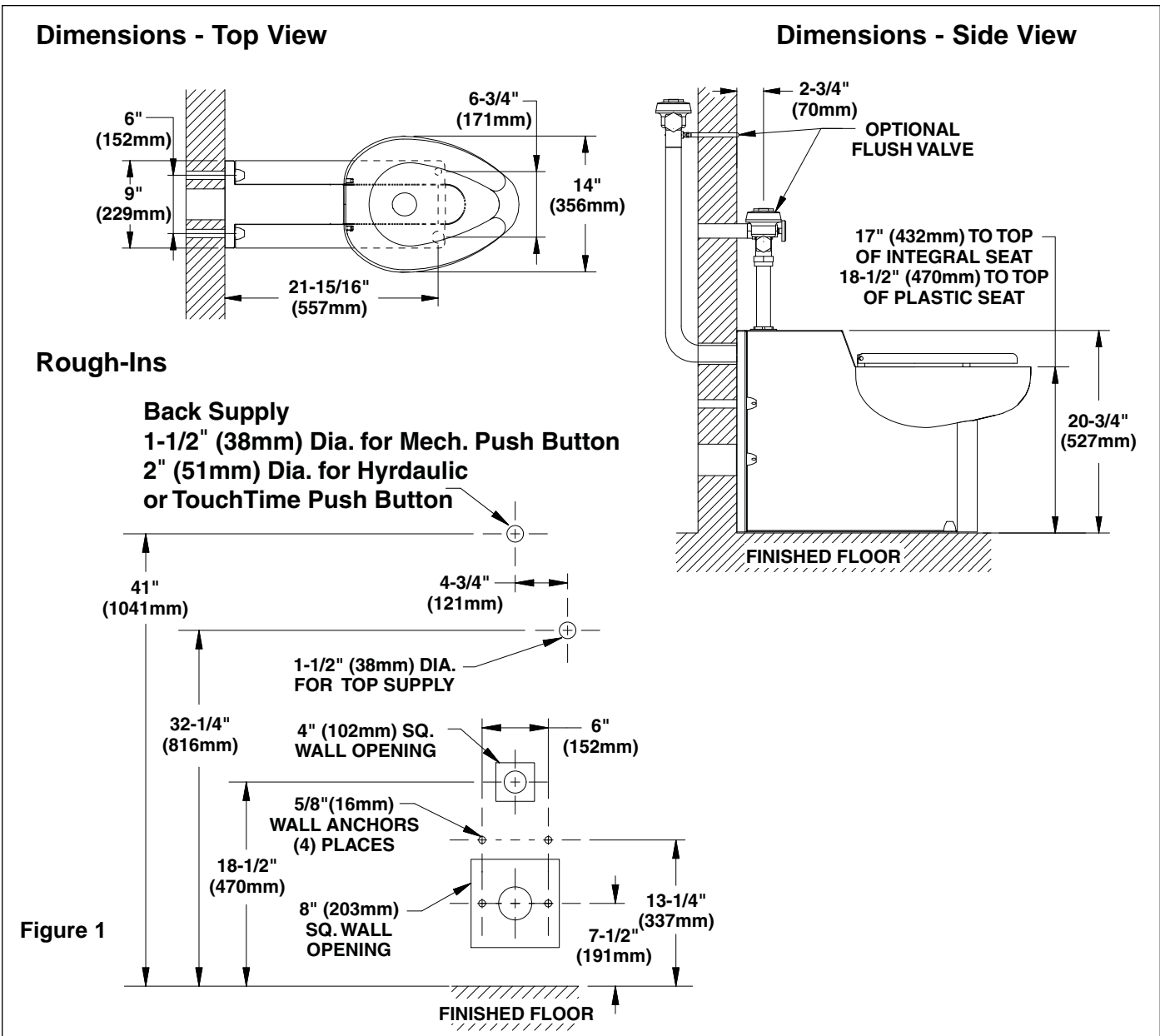
### Supplies Required:

- (2) 5/8"-11 wall anchors and 5/8"-11 x 2" studs
- (2) 5/16"-18 wall anchors and 5/16"-18 x 2" studs
- (2) 5/8"-11 floor anchors and floor bolts
- NPT supply piping to flush valve
- Waste connections and toilet gasket

### Step 1: Rough-In

1. Rough-in the wall openings and waste outlet as shown in Figure 1.
2. BACK SUPPLY ONLY: Rough-in an NPT supply inlet to the flush valve.

*NOTE: Top of integral toilet seat is 17" above finished floor; top of plastic toilet seat is 18-1/2" above finished floor.*

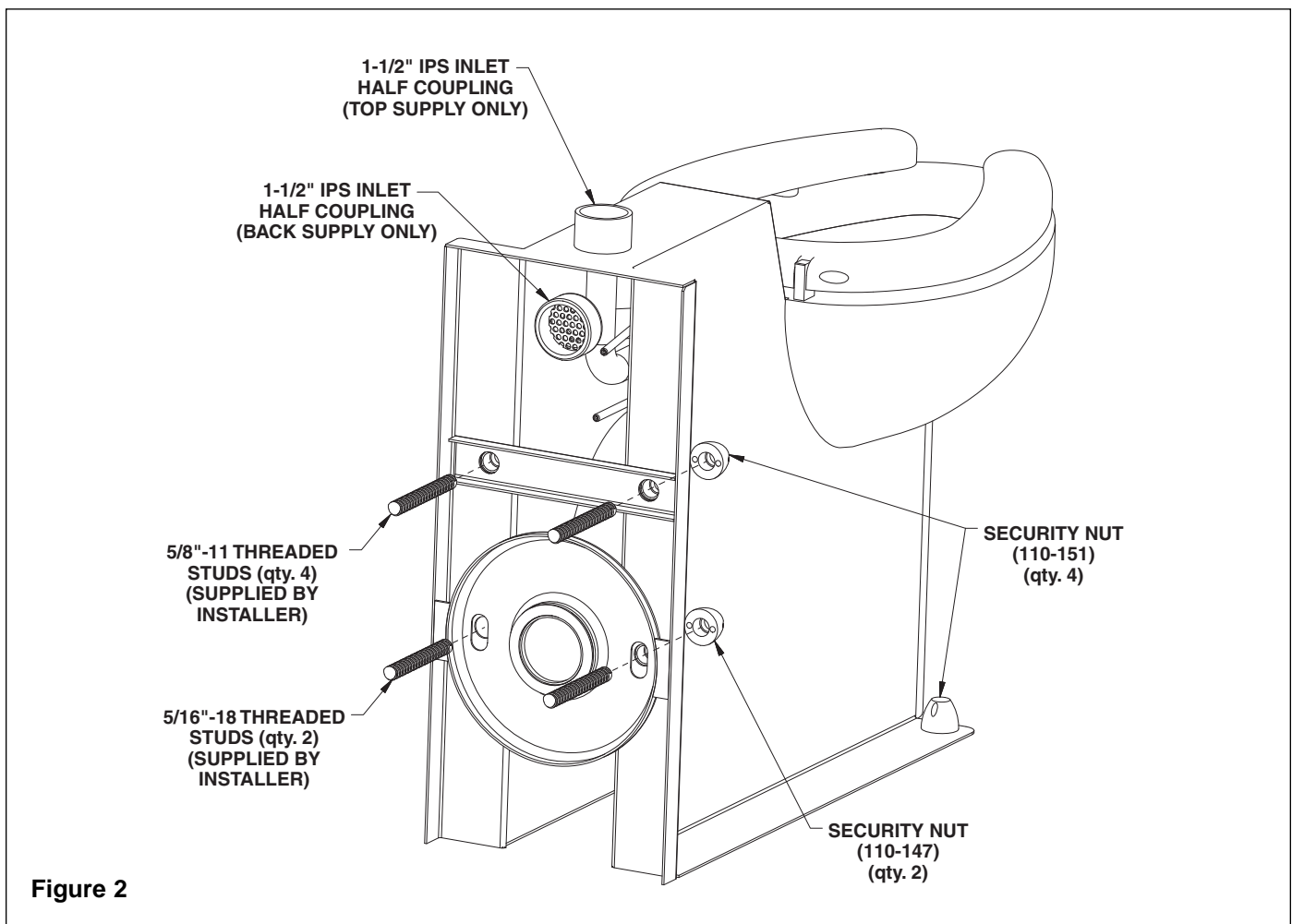


## Installation Instructions *continued . . .*

### Step 2: Install Unit

1. Install two 5/8"-11 wall anchors, two 5/16"-18 wall anchors and two 5/8"-11 floor anchors at the locations shown in Figure 1 in page 2.
2. Secure the fixture to the floor using the 5/8"-11 x 2" studs (supplied by installer) and the 5/8"-11 security nuts (provided by Bradley).
3. Position the fixture in place with a gasket. Slide the pipes and 5/8"-11 x 2" studs through the topmost wall openings, then slide the 5/16"-18 x 2" studs through the lowermost wall openings (studs and gasket supplied by installer).
4. Secure the fixture and gasket to the wall using the 5/8"-11 and 5/16"-18 security nuts provided. Tighten nuts to 35 ft. lbs.
5. Connect the flush valve to the inlet on the back of the fixture (for back supply) or on top of the fixture (for top supply).

*NOTE: For replacement hardware, order Prepack p/n S45-1973.*



## Flush Valve Troubleshooting

**Problem: Valve does not function.**

**Cause:** Control stop or main valve is closed.

**Solution:** Open control stop or main valve.

**Problem: Insufficient volume of water to adequately siphon fixture.**

**Cause:** Control stop is not open enough.

**Solution:** Adjust control stop for desired delivery of water.

**Cause:** Urinal Valve parts installed in Closet Valve.

**Solution:** Replace inside urinal valve parts with proper valve parts.

**Cause:** Inadequate volume or pressure at supply.

**Solution:** If no gauges are available to properly measure supply pressure or volume of water at the valve, then completely remove the entire Diaphragm Assembly and open the control stop to allow water to pass through the empty valve. If the supply is adequate to siphon the fixture in this manner, the Restriction Ring (A-32 on brass guides, A-164 on Cylolac guides) may be removed from the bottom of the guide to provide additional flow or a Sloan Guide Assembly (A-13-A Fullback) may be installed in the valve. Should neither of these steps work, increase the pressure and/or supply.

**Problem: Valve closes off immediately.**

**Cause:** Ruptured or damaged diaphragm.

Enlarged by-pass orifice from corrosion or damage.

**Solution:** Install inside parts kit to correct problem and update the flush valve.

**Problem: Length of flush too short (short flushing).**

**Cause:** Diaphragm assembly and guide assembly are not hand tight.

**Solution:** Screw the two assemblies hand tight.

**Cause:** Enlarged by-pass orifice from corrosion or damage.

**Solution:** Install inside parts kit to correct problem and update flush valve.

**Cause:** A-19-AU Urinal Relief Valve installed in Closet Flush Valve.

**Solution:** Replace the Urinal Relief Valve with HY-34-A Closet Relief Valve.

**Problem: Length of flush too long (long flushing) or failing to close off.**

**Cause:** Relief Valve (HY-34-A) is not seating properly or by-pass orifice is clogged because of foreign material, or by-pass orifice is closed by an invisible gelatinous film from “over-treated” water.

**Solution:** Disassemble the working parts and wash them thoroughly.

*NOTE: The size of the orifice in the by-pass is very important for the proper metering of water into the upper chamber of the valve. DO NOT enlarge or damage this orifice.*

**Cause:** Line pressure has dropped and is not sufficient to force Relief Valve to seat.

**Solution:** Shut off control stops until pressure has been restored, then open them again.

**Problem: Water splashes out of fixture.**

**Cause:** Supply volume is more than necessary.

**Solution:** Throttle down control stop.

**Cause:** Lime accumulation on vortex or spreader holes.

## Cleaning and Maintenance Instructions for Stainless Steel

**Material Description:** Stainless steel is extremely durable, and maintenance is simple and inexpensive. Proper care, particularly under corrosive conditions, is essential. Always start with the simplest solution and work your way toward the more complicated.

**Routine cleaning:** Daily or as often as needed use a solution of warm water and soap, detergent, or ammonia. Apply the cleaning solution per the manufactures instructions and always use a soft cloth or sponge to avoid damaging the finish.

**Stubborn Stains:** To remove stains from stainless steel use a stainless steel cleaner and polish such as Ball® stainless steel cleaner or a soft abrasive. Always follow the manufactures instructions and apply in the same direction as the polish lines.



**IMPORTANT: NEVER USE ORDINARY STEEL WOOL OR STEEL BRUSHES ON STAINLESS STEEL. ALWAYS USE STAINLESS STEEL WOOL OR STAINLESS STEEL BRUSHES.**

### Special Situations for Material

**Fingerprints and Smears:** To remove fingerprints or smears use a high quality stainless steel cleaner and polish in accordance with the manufactures instructions. Many of these products leave a protective coating the helps prevent future smears and fingerprints.

**Grease and Oil :** To remove grease and oil use a quality commercial detergent or caustic cleaner. Apply in accordance to the manufactures instructions and in the direction of the polish lines.

**Precautions:** Avoid prolonged contact with chlorides (bleaches, salts), bromides (sanitizing agents), thiocyanates (pesticides, photography chemicals, and some foods), and iodides on stainless steel equipment, especially if acid conditions exist.



**IMPORTANT: DO NOT PERMIT SALTY SOLUTIONS TO EVAPORATE AND DRY ON STAINLESS STEEL.**

The appearance of rust streaks on stainless steel leads to the belief that the stainless steel is rusting. Look for the actual source of the rust in some iron or steel particles which may be touching, but not actually a part of the stainless steel structure.

*NOTE: Strongly acidic or caustic cleaners may attack the steel causing a reddish film to appear. The use of these cleaners should be avoided.*

**Brand Names:** Use of brand names is intended only to indicate a type of cleaner. This does not constitute an endorsement, nor does the omission of any brand name cleaner imply its inadequacy. Many products named are regional in distribution, and can be found in local supermarkets, department and hardware stores, or through your cleaning service. It is emphasized that all products should be used in strict accordance with package instructions.