

- ADA compliant
- 1-1/2" NPT inlet connection
- All units factory tested for proper operation

### Specifications

#### Materials

All cabinet materials, including interior piping are Type 304 stainless steel. The fixture is made from heavy gauge stainless steel with seamless welded surfaces.

#### Construction

All welded construction with exposed welds ground smooth, and all accessible seams and voids eliminated. Fixture will withstand up to 5,000 lb. load on front area of toilet (certified test results of such loading are available upon request). Elongated die-drawn bowl has siphon jet action for positive flush. 30 PSI (flowing into flush valve) required for flushing. A 1.6 gallon-per-flush (low-flow) toilet is standard. Toilet assembly meets ANSI/ASME A112.19.2.



*When choosing the Floodbuster option, a minimum of 35 PSI flowing into the Floodbuster valve is required.*

#### Flush Valve

Flush valve is not included as standard equipment with the unit. Flush valve included when specified.

#### Finish

All exposed steel surfaces to have a bead blast finish (optional #4 satin polished finish, integral contoured seat polished to option #7 sanitary finish). Anchor nuts are chrome-plated brass.

#### Wall Anchoring

Unit secured with rustproofed mounting bolts (supplied by others) and vandal-resistant cap nuts.



WC7459FM (shown with optional seat)

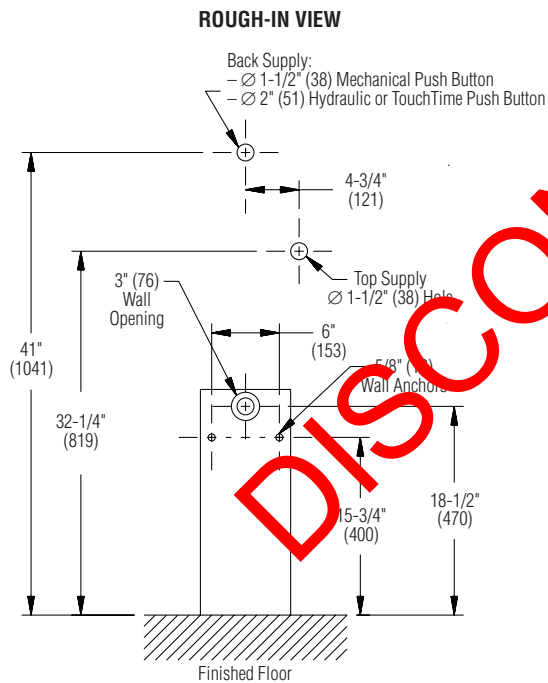
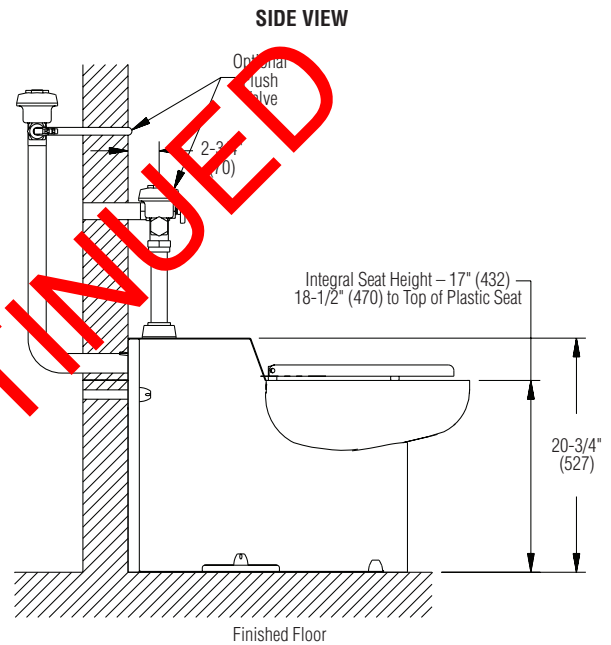
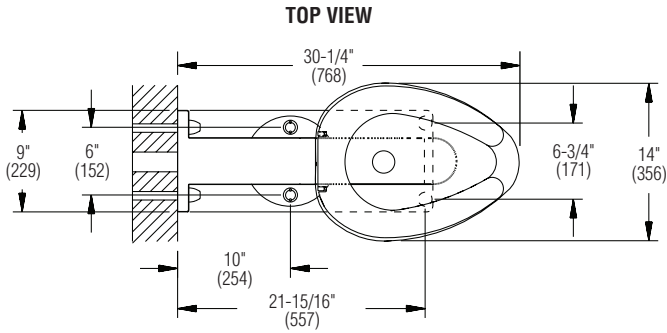


*Back-supplied fixtures require wall openings and accessible chase for installation and maintenance.*

Model	Description
<input type="checkbox"/> WC7459FM	Front-Mounted Floor Outlet Siphon Jet Stainless Steel Toilet
<b>Required Selections</b> (Must select one from each category)	
<b>Supply (select one):</b>	
<input type="checkbox"/> BACK	Back Supply
<input type="checkbox"/> TOP	Top Supply
<b>Toilet Seat (select one):</b>	
<input type="checkbox"/> ISEAT	Integral Seat
<input type="checkbox"/> PSEAT	Plastic Seat (White)
<b>Finish (select one):</b>	
<input type="checkbox"/> BB	Bead Blast (Standard)
<input type="checkbox"/> PS	Polished Stainless Steel
<i>In Front Flush Valve (select one):</i>	
<input type="checkbox"/> LCCPFV	Low Consumption Chrome Plated Mechanical Flush Valve
<input type="checkbox"/> LCMFV	Low Consumption Mechanical Flush Valve
<input type="checkbox"/> LCHFV	Low Consumption Hydraulic Flush Valve
<input type="checkbox"/> LCTTFV*	Low Consumption Touchtime® Electronic Flush Valve
<input type="checkbox"/> NFV	No Flush Valve

Optional Selections	
<b>Thru Wall Flush Valve Inlet Connections:</b>	
<input type="checkbox"/> MMC	Male to Male Connection
<input type="checkbox"/> MFC	Male to Female Connection
<b>Water Closet Waste Outlet Accessories:</b>	
<input type="checkbox"/> GSKT	Neoprene Flange Gasket
<b>Floodbuster (must be located in chase):</b>	
<input type="checkbox"/> FBM	Mechanical Floodbuster

\* Touchtime® requires use of transformer (24VAC) available from Bradley. (See separate Technical Info)



DISCONTINUED