

---

# Installation Instructions

---

**WC7690**

**Wayside Pit Toilet  
(handicap height)**



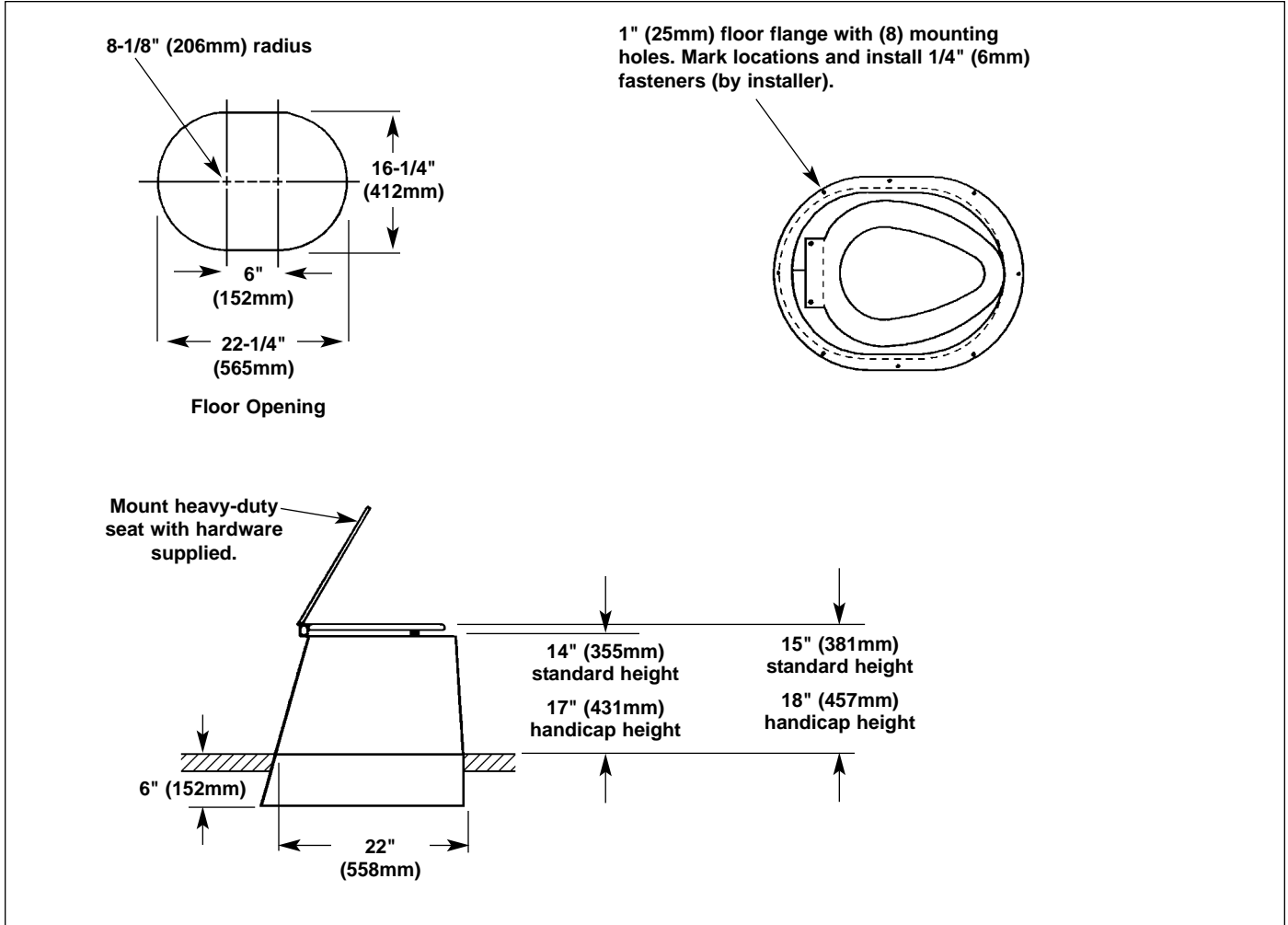
## **IMPORTANT**

**Read this entire installation manual to ensure proper installation.**

**Floor anchors and appropriate fasteners are provided by the installer.**

**This installation manual should be filed by the owner or maintenance department.**

## Installation Diagram for WC7690



### Pit Toilet Warranty

Bradley Corporation warrants to commercial and institutional purchasers only each unit free from defects in material and workmanship under normal use and service upon the following terms and conditions.

1. This warranty is limited to replacing or repairing, at our option, transportation charges prepaid by the purchaser, any Bradley unit or part thereof which our inspection shall show to have been defective within the limitations of this warranty.
2. The period during which Bradley's pit toilet is warranted is measured one (1) year from the date of our invoice.
3. This warranty does not cover installation or any other labor charges and does not apply to any units which have been damaged by accident, abuse, improper installation or improper maintenance.
4. The replacement or repair of defective units as stated in this warranty shall constitute the sole remedy of the purchaser and the sole liability of Bradley Corporation under this warranty. Bradley Corporation shall not otherwise be liable under any indirect damages caused by defects in the repair or replacement thereof.
5. This warranty extends only to commercial and institutional purchaser and does not extend to any others, including consumer customers of commercial institutional purchasers.
6. This warranty is in lieu of all other warranties, expressed or implied, including any implied warranty of merchants ability or fitness for a particular purpose or otherwise.