

- Designed for economical water consumption
- Large 2" diameter welded stainless steel P-trap
- Flushing rim washes all four walls
- All units factory tested for proper operation

**Specifications**

**Materials**

All cabinet materials, including interior piping are Type 304 stainless steel. The fixture is made from heavy gauge stainless steel with seamless welded surfaces.

**Barrier-Free (ADA) and TAS Compliant**

Complies with ADA and TAS guidelines for urinals when mounted with front edge of the rim no more than 17" above the finished floor (3" lower than standard rough-in dimensions).

**Construction**

All welded construction with welds ground smooth to eliminate all accessible seams and voids. Urinal has washout type action. Flushing connection is 3/4" NPS male and requires a minimum of 30 PSI for flushing. P-trap is stainless steel, has a 4" seal, and will pass a 1.9" ball. P-trap is welded to the urinal and has an O-ring adapter with 2" NCT connection. Urinal features a continuous flushing rim which washes all four walls. P-trap is fully enclosed and there are no accessible seams, voids, or crevices where contraband can be concealed. Bottom of urinal is sloped to integrally welded high-capacity stainless steel beehive dome strainer. Urinal assembly meets ANSI/ASME A112.19.2.

**Flush Valve**

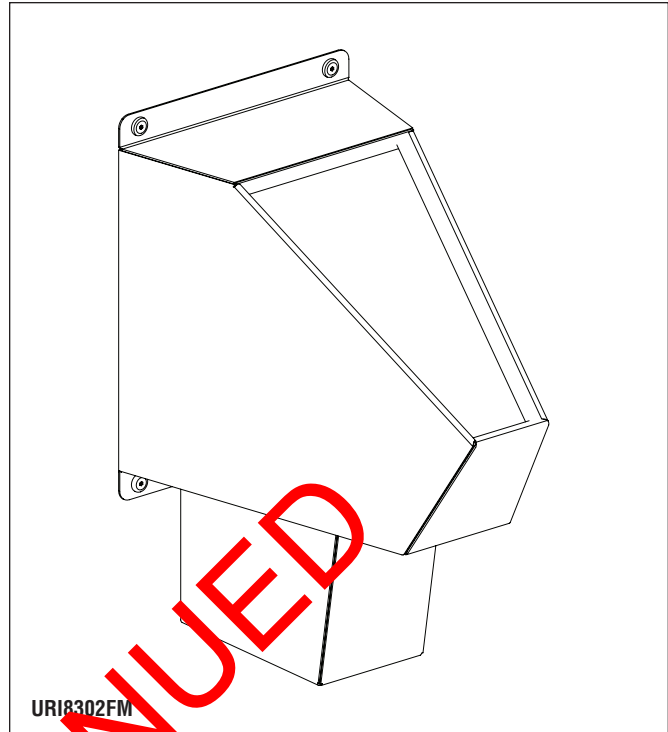
Flush valve is not included as standard equipment with the unit. Flush valve included when specified. Flush valve rated at 1.5 to 1.6 gallons per flush.

**Finish**

All exposed stainless steel surfaces have a bead blast finish (optional #4 satin polished finish).

**Wall Anchoring**

Fixture has four anchoring holes, and is furnished with 1/4-20 x 2" vandal-resistant screws and decorative countersunk washers. Suitable wall anchors furnished by others.

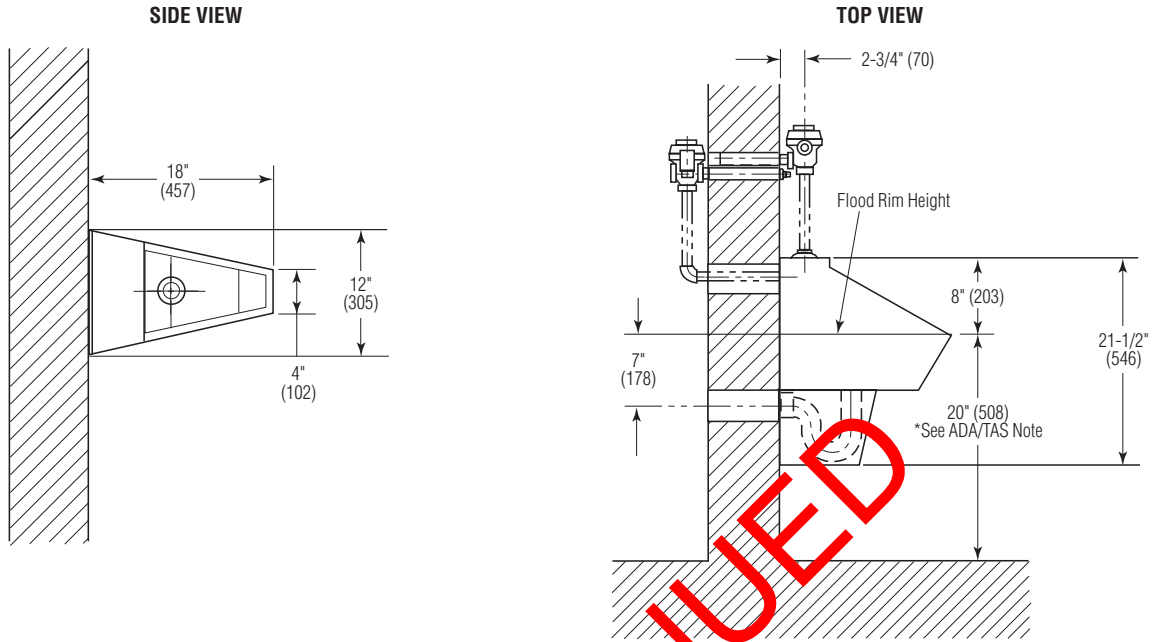


Model	Description
<input type="checkbox"/> URI8302FM	Front-Mounted Stainless Steel Washout Urinal

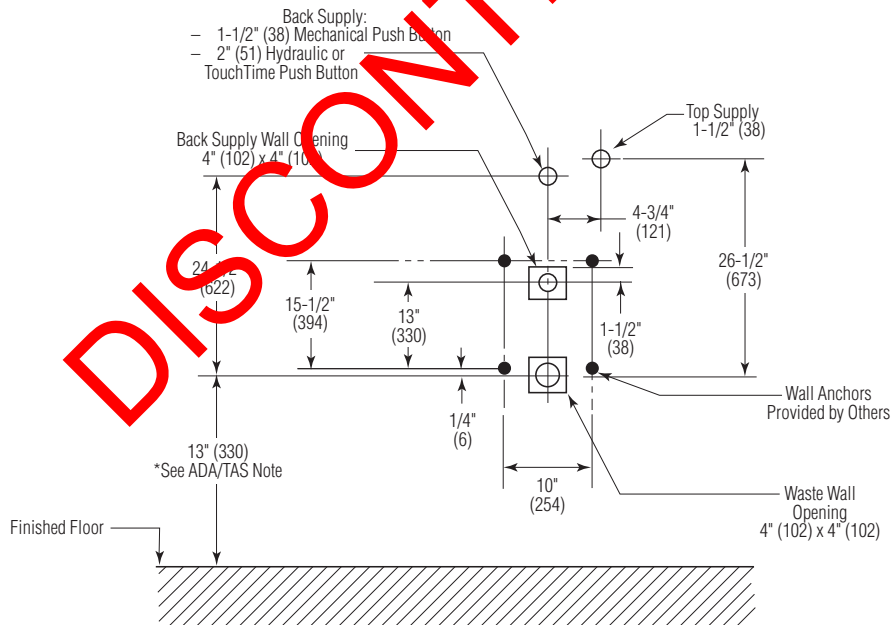
Required Selections (Must select one from each category)	
<b>Supply (select one):</b>	
<input type="checkbox"/> BACK Back Supply	<input type="checkbox"/> TOP Top Supply
<b>Finish (select one):</b>	
<input type="checkbox"/> BB Bead Blast (Standard)	<input type="checkbox"/> PS Polished Stainless Steel
<b>Flush Valve (select one):</b>	
<input type="checkbox"/> LCCPFV Low Consumption Chrome Plated Mechanical Flush Valve	
<input type="checkbox"/> LCMFV Low Consumption Mechanical Flush Valve	
<input type="checkbox"/> LCHFC Low Consumption Hydraulic Flush Valve	
<input type="checkbox"/> LCTTFC* Low Consumption Touchtime® Electronic Flush Valve	
<input type="checkbox"/> NFV No Flush Valve	

\*Touchtime® requires use of transformer (24VAC) available from Bradley. (See separate Technical Info)





**ROUGH-IN DIMENSIONS (View Is from Fixture Side)**



*\* For ADA and TAS compliant mounting, subtract 3" from dimension shown.*