

- Large 2" diameter stainless steel drain piping
- Reinforced receptor pan
- All units factory tested for proper operation

Specifications

Material

All cabinet materials including interior piping are Type 304 stainless steel. Cabinet is fabricated entirely from 14 gauge stock. Trim is chrome plated brass. Supports and brackets are 12 gauge stainless steel.

Construction

Cabinet

All welded construction with exposed welds ground smooth and all accessible seams and voids eliminated. Underside of receptor is reinforced with heavy stainless steel center support to floor. Drain outlet is 2" caulk style.

Stainless Steel Seat

Frame is fabricated of 1" diameter Type 304, 18 gauge stainless steel tubing. Heliarc welded. Wall bracket is fabricated of 16 gauge stainless steel. Positive bullet-type catch holds seat securely in up position. Seat is fabricated of Type 304, 16 gauge stainless steel with exposed surfaces in architectural satin finish. Rounded corners, heliarc welded and ground smooth. Hinged seat folds up and out of the way when not in use.

Valving

Two valving arrangements are offered on unit. Both valving types are chase-located:

- Single Temperature Air Metering Valve with 5 to 60 second timing cycle adjustable from chase side only.
- TouchTime® equipped fixtures control water flow at each station through the use of solid state, digital circuitry. When the push-button is pressed, a signal is sent through its built-in circuitry controlling the opening and closing of solenoid valves. The system operates directly on 24 volt power or 110 volt with the use of an optional transformer. Timing is electronically controlled at 60 seconds.

Grab Bar

Tubing of Type 304, 1-1/2" O.D., 18 gauge stainless steel, seamless construction. Exposed surfaces in architectural satin finish. Bent end of tubing are heliarc welded to the cabinet for maximum strength. Intermediate supports are cut and joined by heliarc welding to form an integral part of the grab bar. All welds ground and polished to blend. Mandrel bending process maintains uniform bar diameter. Return provides 1-1/2" standard safety clearance between wall and bar. All Bradley heavy duty grab bar systems exceed FHA and VA specifications.

Hose Assembly

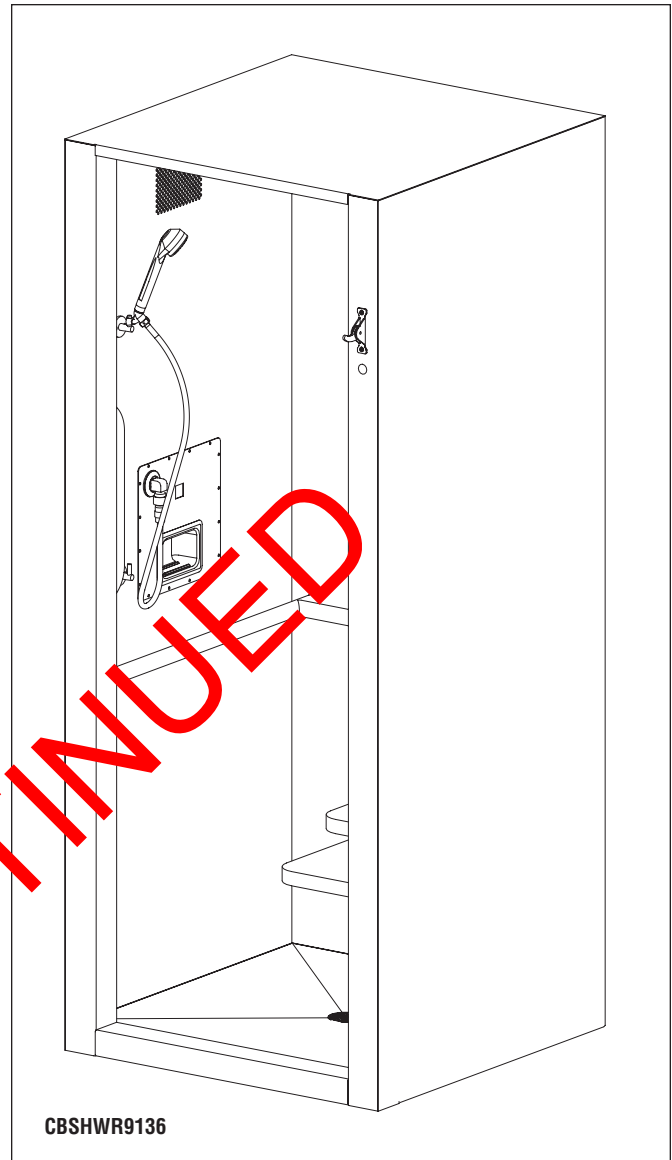
Hose assembly has supply elbow, quick disconnect vacuum breaker, 60" stainless steel hose, 2 mounting brackets and hand-held showerhead.

Finish

All sides at the exterior and interior, except receptor, are polished to a #4 satin finish. Receptor has a non-skid surface. Exposed fitting surfaces are triple chrome-plated.

Wall Anchoring

Wall or floor anchors are not provided as standard equipment. Unless optional anchors are specified, the cabinet is free-standing. Anchors are recommended for locations where extreme abuse is likely.



Model Size (Must select one)

- 9136** 36" x 36"
- 9140** 40" x 36"
- 9144** 44" x 36"

Required Selections (Must select one from each category)

Drain:

- CAK** Caulk Drain

Chase Location (select one):

- RIGHT** Right Hand (Seat Left) **BACK-R** Back Chase, Right (Seat Left)
- LEFT** Left Hand (Seat Right) **BACK-L** Back Chase, Left (Seat Right)

Polish (select one):

- RP** Right Hand Side **LP** Left Hand Side
- BP** Both Sides **NP** No Polish on Sides

Valve Assembly (select one):

- ASTM** Air Single Temp Metering Valve
- TTST** TouchTime® Single Temp Electronic Metering Valve*
- NV** No Valve

*TouchTime requires use of transformer (24 vac).

Optional Selections

Valve Boxes:

- RMPB** Recessed Mounted Pressure Balancing Box
- SMPB** Surface Mounted Pressure Balancing Box

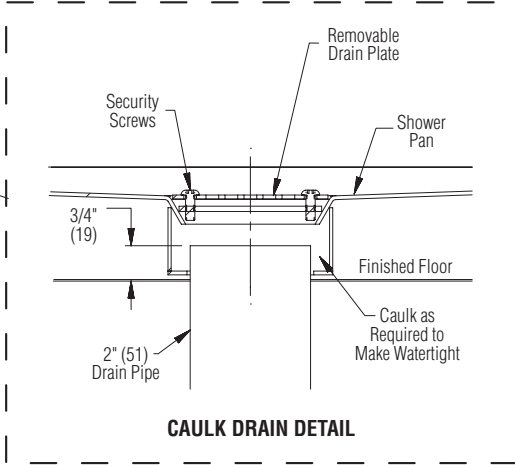
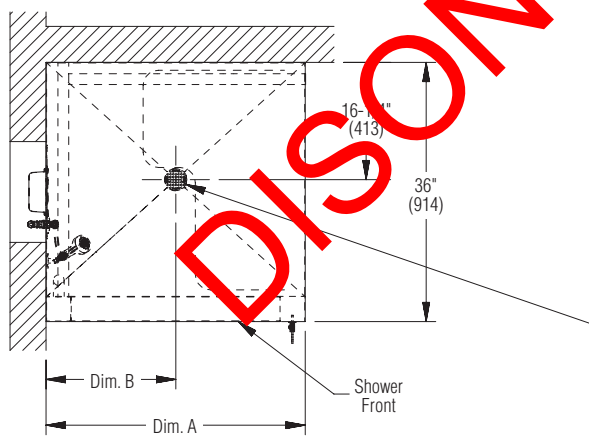
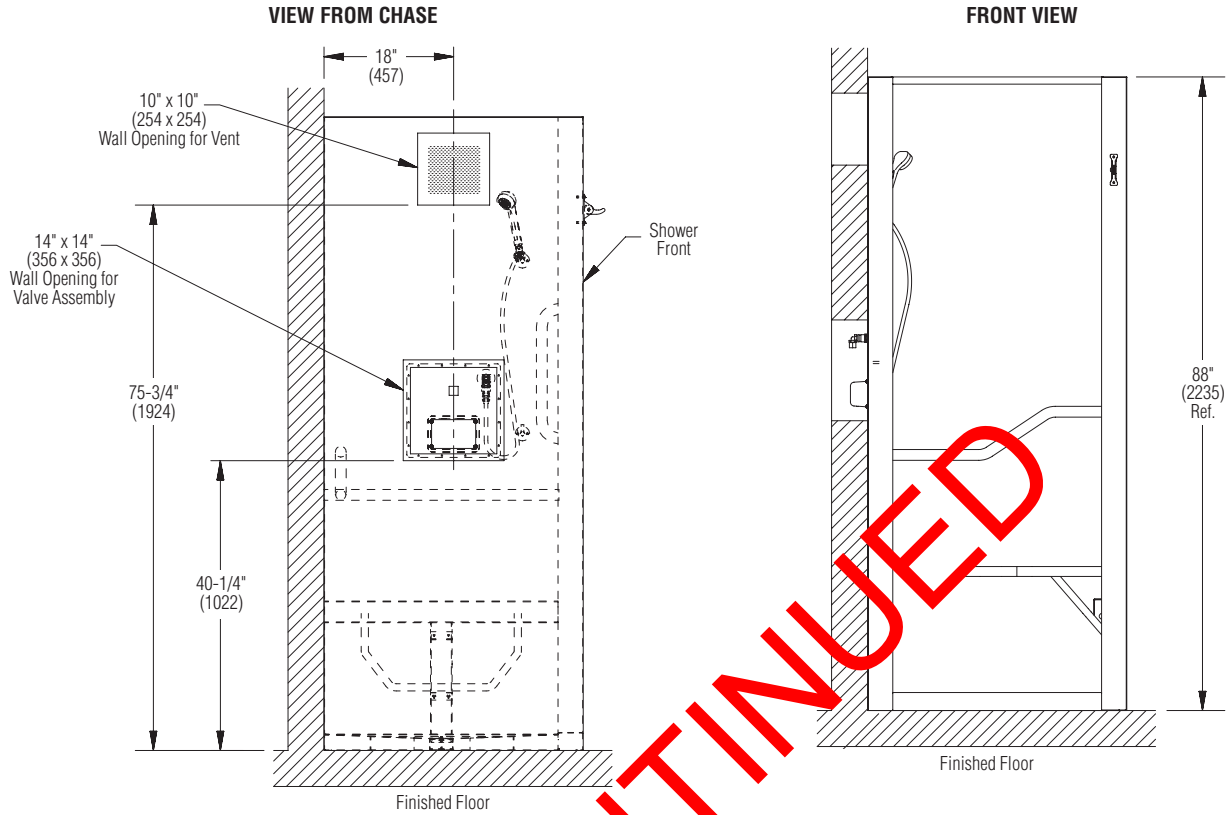
Other Options:

- DOOR** Stainless Steel Door
- RAMP** Ramp

DISCONTINUED

Dimensions – Left Side Chase (Right Side Chase is Opposite)

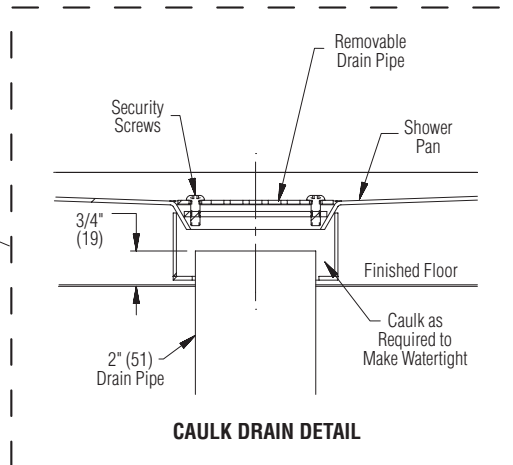
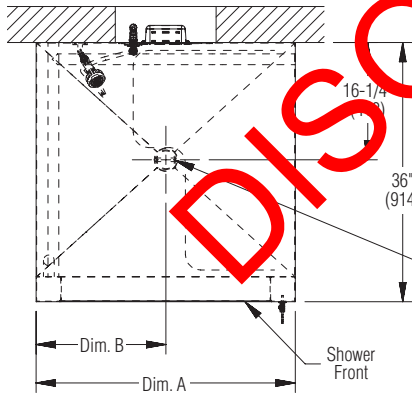
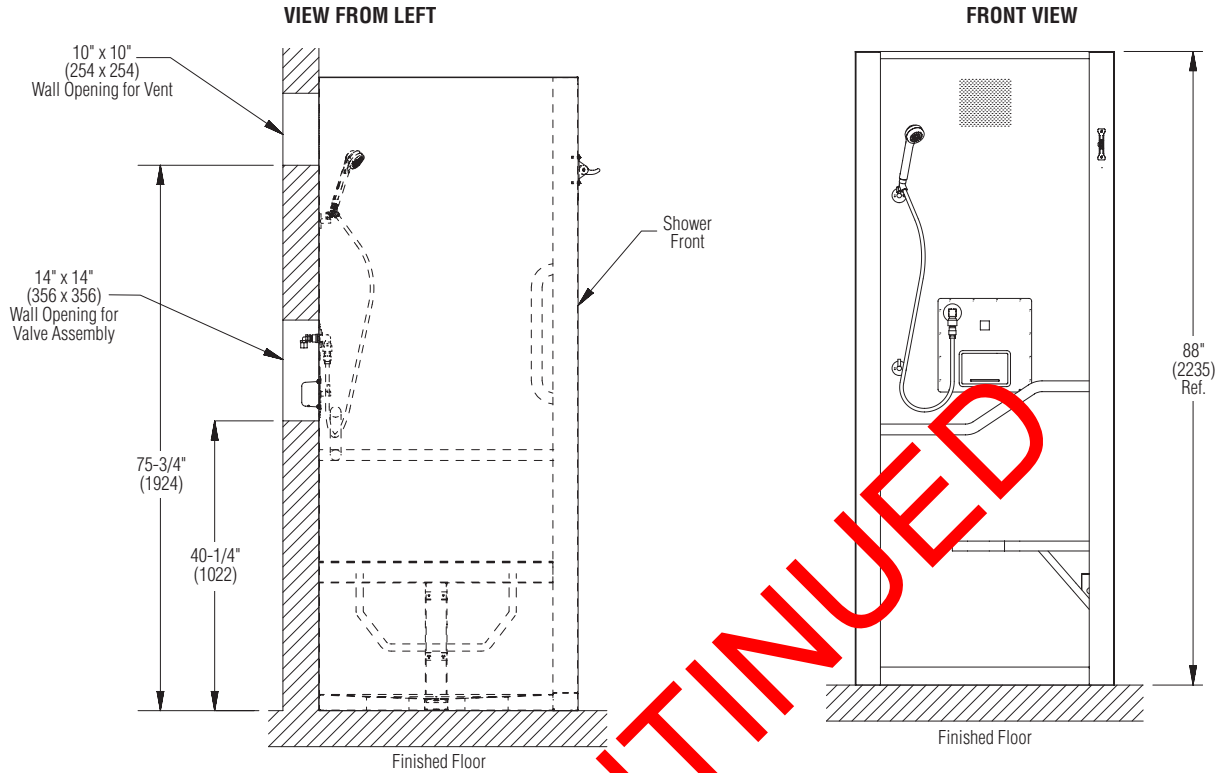
(mm)



Size Code	Dimension A	Dimension B
36	36" (914)	18" (457)
40	40" (1016)	20" (508)
44	44" (1118)	22" (559)

Dimensions – Back Left Chase (Back Right Chase is Opposite)

(mm)



Size Code	Dimension A	Dimension B
36	36" (914)	18" (457)
40	40" (1016)	20" (508)
44	44" (1118)	22" (559)