

- Ideal for renovations
- Large 2" diameter stainless steel drain piping
- Reinforced receptor pan
- All units factory tested for proper operation

### Specifications

#### Material

All cabinet materials including interior piping are Type 304 stainless steel. Cabinet is fabricated entirely from 14 gauge stock. Trim is chrome-plated brass. Supports and brackets are 12 gauge stainless steel.

### Construction

#### Cabinet

Fabricated construction with security fasteners. Underside of receptor is reinforced with heavy stainless steel center support to floor. Drain outlet is 2" caulk style.

#### Stainless Steel Seat

Frame is fabricated of 1" diameter Type 304, 18 gauge stainless steel tubing. Wall bracket is fabricated of 16 gauge stainless steel. Positive bullet-type catch holds seat securely in up position. Seat is fabricated of Type 304, 16 gauge stainless steel with exposed surfaces in architectural satin finish. Hinged seat folds up and out of the way when not in use.

#### Valve Assembly

Two valve assembly arrangements are offered on unit. Both valve assembly types are chase located. They are:

- Single Temperature Air Metering Valve with 5 – 60 second timing cycle adjustable from chase side only.
- TouchTime® equipped fixtures control water flow at each station through the use of solid state, digital circuitry. When the push button is pressed, a signal is sent through its built-in circuitry controlling the opening and closing of solenoid valves. The system operates directly on 24-volt power or 110VAC with the use of an optional transformer. Timing is electronically controlled at 60 seconds.

#### Grab Bar

Tubing of Type 304, 1-1/2" O.D., 18 gauge stainless steel, seamless construction with exposed surfaces in architectural satin finish. Bent end of tubing are heliarc welded to the cabinet for maximum strength. Intermediate supports are contour cut and joined by heliarc welding to form an integral part of the grab bar. All welds ground and polished to blend. Mandrel bending process maintains uniform bar diameter. Return provides 1-1/2" standard safety clearance between wall and bar. All Bradley heavy duty grab bar systems exceed FHA and VA specifications.

#### Hose Assembly

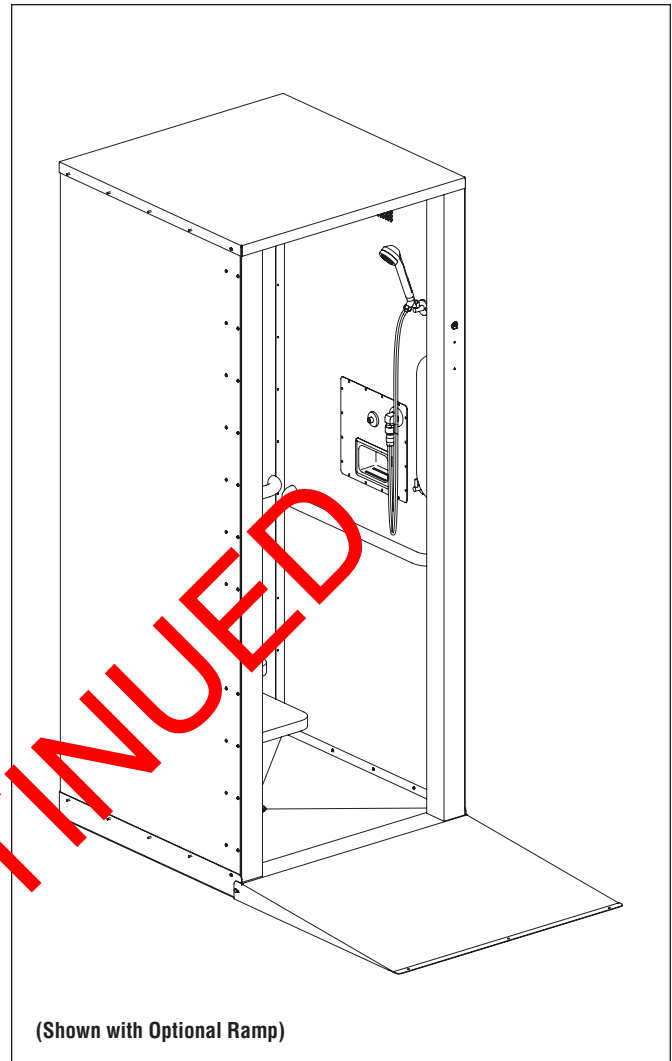
Hose assembly has supply elbow, quick disconnect vacuum breaker, 60" stainless steel hose, 2 mounting brackets and hand held showerhead.

#### Finish

All sides at the exterior and interior, except receptor, are polished to a #4 satin finish. Receptor has a non-skid surface. Exposed fitting surfaces are triple chrome-plated.

#### Wall Anchoring

Wall or floor anchors are not provided as standard equipment. Unless optional anchors are specified, the cabinet is free standing. Anchors are recommended for locations where extreme abuse is likely.



<b>Model</b>	<b>Size</b> (Must select one)
<input type="checkbox"/> <b>9136KD</b>	36" x 36"
<input type="checkbox"/> <b>9140KD</b>	40" x 36"
<input type="checkbox"/> <b>9144KD</b>	44" x 36"

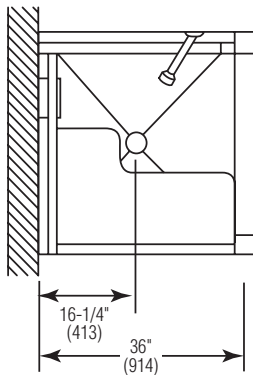
<b>Required Selections</b> (Must select one from each category)	
<b>Drain:</b>	
<input type="checkbox"/> <b>CAK</b>	Caulk Drain
<b>Chase Location (select one):</b>	
<input type="checkbox"/> <b>RIGHT</b>	Right Hand (Seat Left)
<input type="checkbox"/> <b>BACK-R</b>	Back Chase, Right (Seat Left)
<input type="checkbox"/> <b>LEFT</b>	Left Hand (Seat Right)
<input type="checkbox"/> <b>BACK-L</b>	Back Chase, Left (Seat Right)
<b>Polish (select one):</b>	
<input type="checkbox"/> <b>RP</b>	Right Hand Side
<input type="checkbox"/> <b>LP</b>	Left Hand Side
<input type="checkbox"/> <b>BP</b>	Both Sides
<input type="checkbox"/> <b>NP</b>	No Polish on Sides
<b>Valve Assembly (select one):</b>	
<input type="checkbox"/> <b>ASTM</b>	Air Single Temp Metering Valve
<input type="checkbox"/> <b>TTST</b>	TouchTime® Single Temp Electronic Metering Valve*
<input type="checkbox"/> <b>NV</b>	No Valve

<b>Optional Selections</b>	
<b>Valve Boxes:</b>	
<input type="checkbox"/> <b>RMPB</b>	Recessed Mounted Pressure Balancing Box
<input type="checkbox"/> <b>SMPB</b>	Surface Mounted Pressure Balancing Box
<b>Other Options:</b>	
<input type="checkbox"/> <b>DOOR</b>	Stainless Steel Door
<input type="checkbox"/> <b>RAMP</b>	Ramp

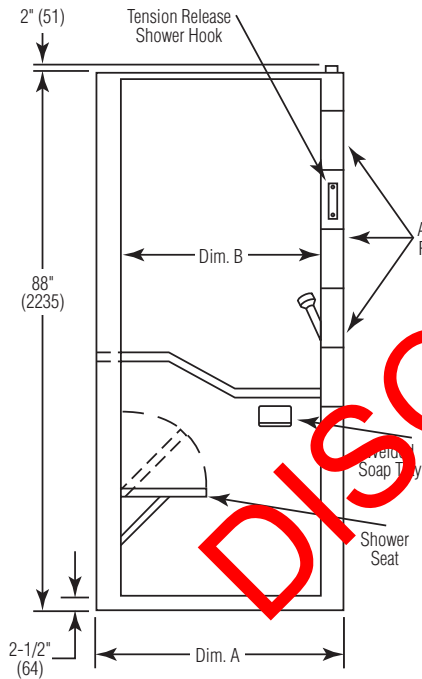
\*TouchTime requires use of transformer (24 vac).

DISCONTINUED

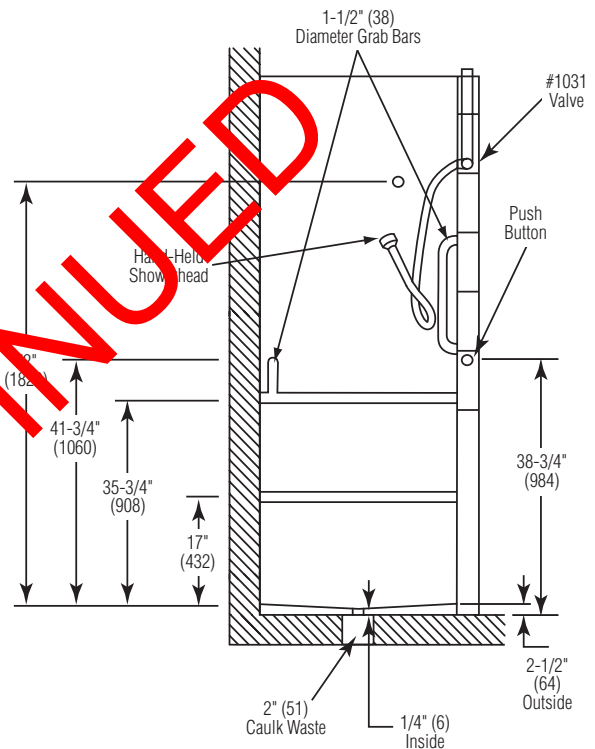
TOP VIEW



SIDE VIEW



FRONT VIEW



DISCONTINUED

Size Code	Dim. A	Dim. B
36	36" (914)	29" (737)
40	40" (1016)	33" (838)
44	44" (1118)	37" (940)