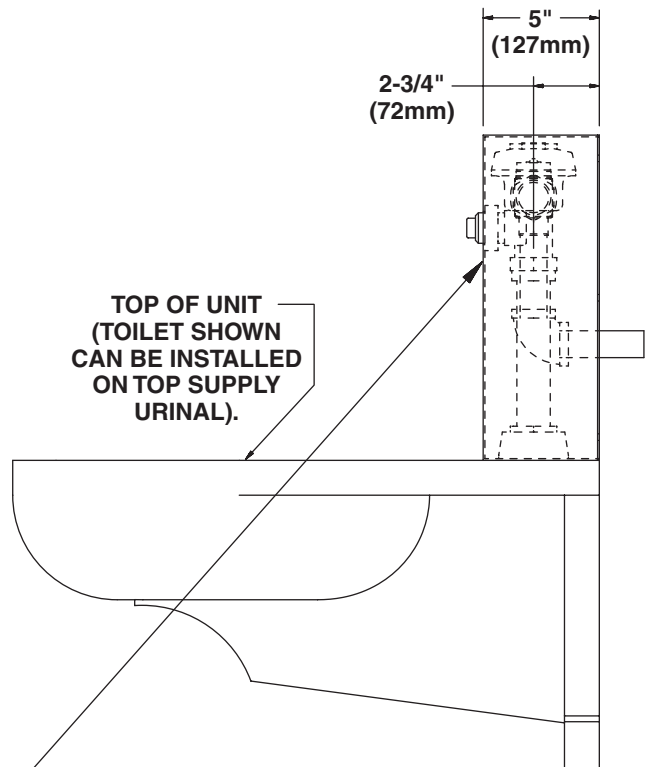
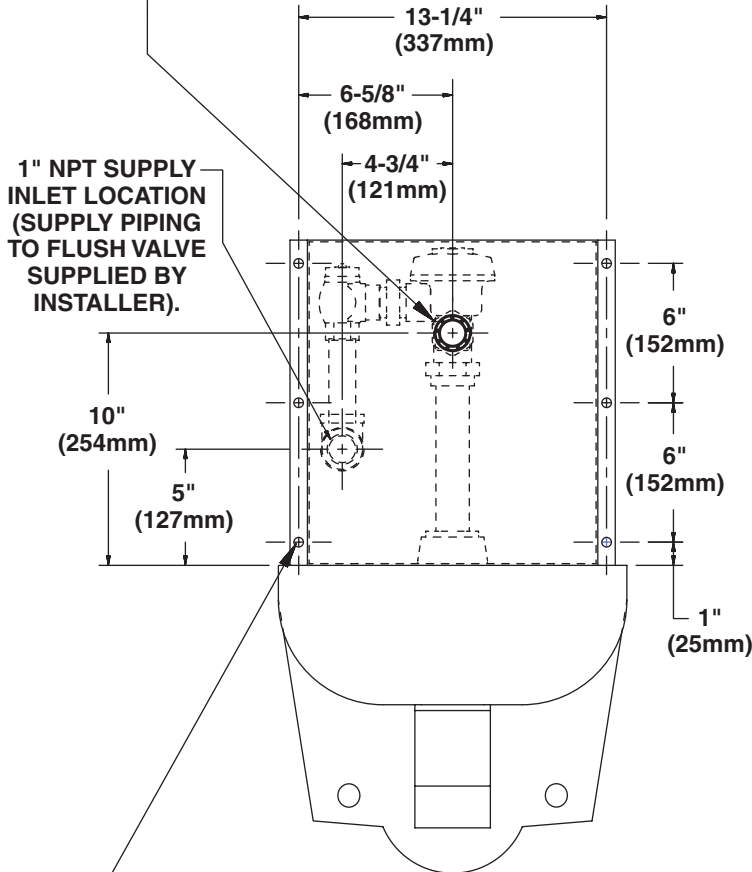


# 7905 Flush Valve with Cover

# Installation

**A** Rough-in the push button. *NOTE: If necessary, cut the supply nipple to fit.*

*NOTE: UNIT WITH SUPPLIES ON LEFT SIDE IS SHOWN. FOR UNIT WITH SUPPLIES ON RIGHT SIDE, DIMENSIONS ARE OPPOSITE.*



**C** Using the cover as a template, scribe the locations of six wall anchors. Remove the cover and install six suitable wall anchors (supplied by installer). Secure the cover to the wall with the security screws (160-314) provided.

**B** Position the flush valve cover over the flush valve and against the wall so that the push button protrudes through the cover.