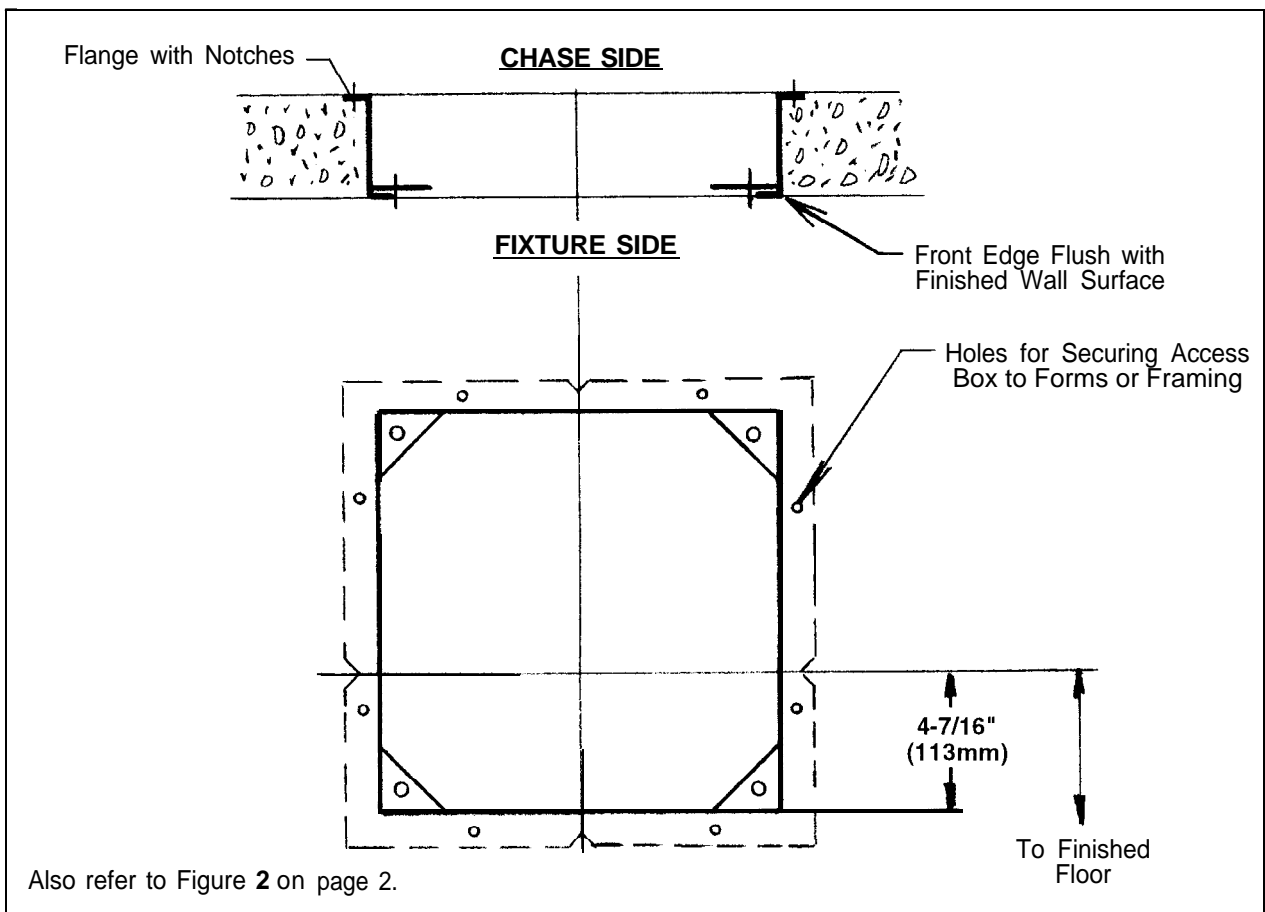


# Flush Valve Access Box Installation Instructions - Model 7900

## Steps

1. **Select** the location on the wall where the flush valve access box is to be installed.
2. Rough-in a 13" (330mm) square opening in the wall for the access box (see Figure 1 and Figure 2 on page 2).
3. Place the access box into the wall opening. Make sure of the following:
  - a. The right and left side notches are centered off the finished floor.
  - b. The flange with the notches is installed on the chase side of the wall (see Figure 1).
  - c. The top and bottom notches are aligned so they are perpendicular to the right and left side notches. NOTE: The horizontal and vertical notches correlate with the centerline of the flush valve pushbutton.
  - d. The front edge of the access box is flush with the finished wall surface (see Figure 1).
4. Secure the access box to forms or framing (anchors and bolts supplied by installer) (see Figure 1).
5. Complete flush valve (supplied by installer) installation.



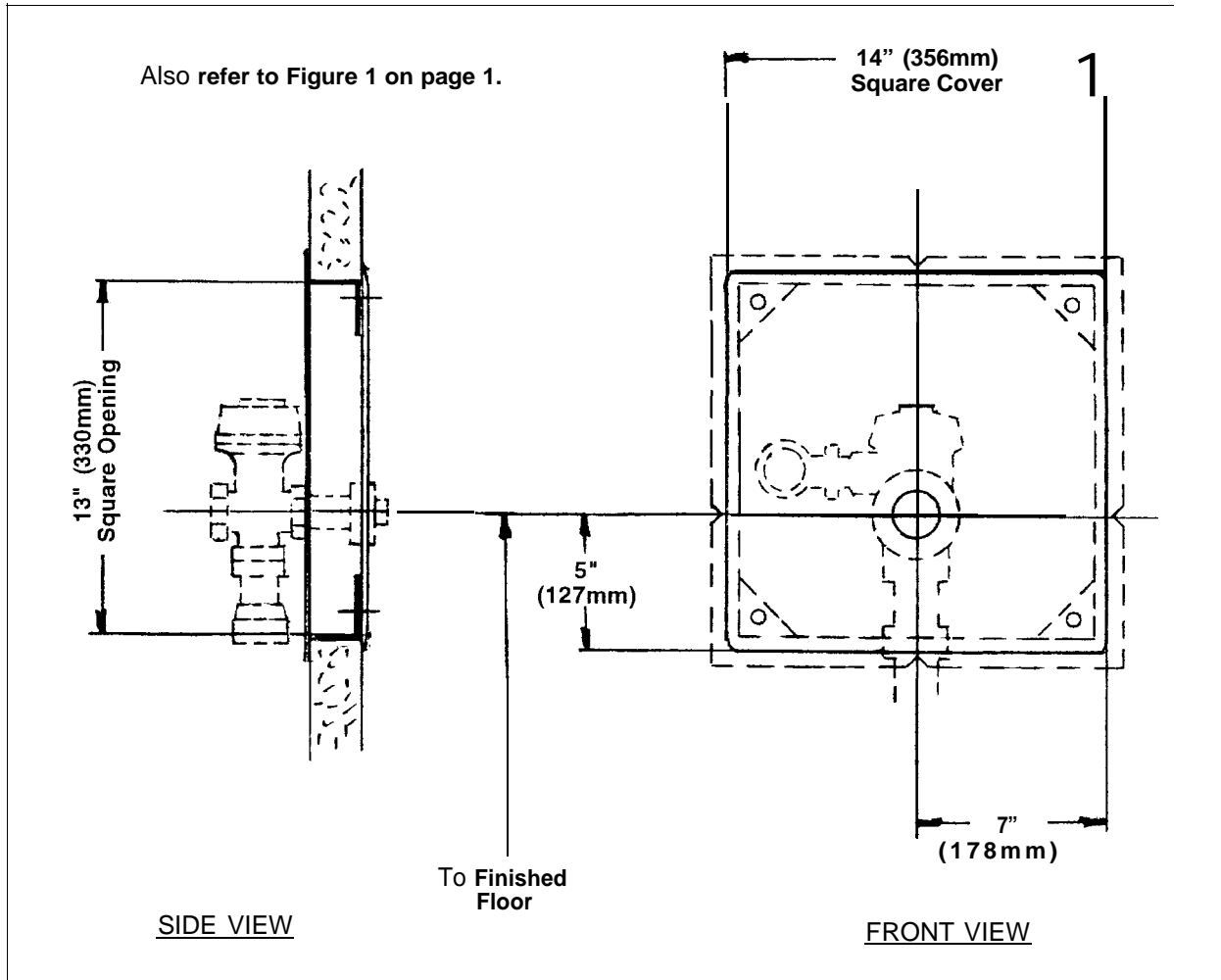


Figure 2