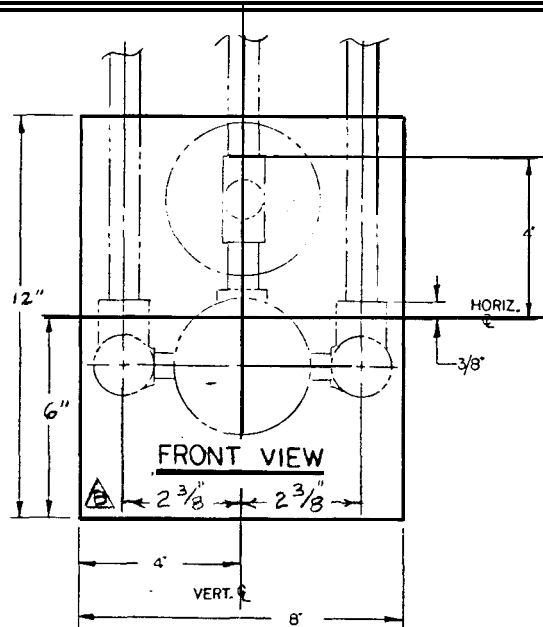
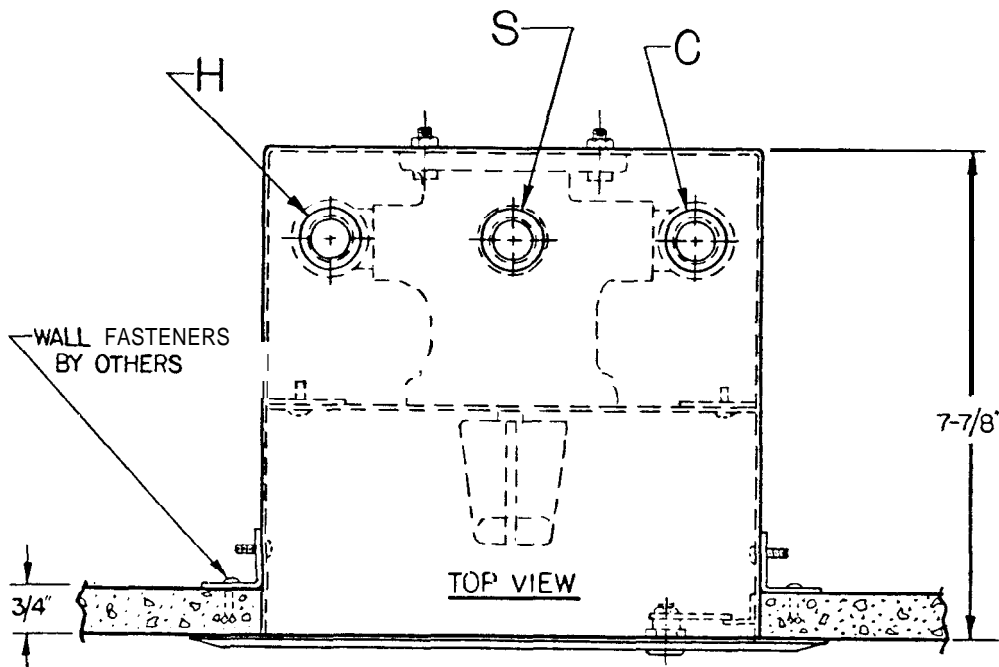


INSTALLATION INSTRUCTIONS

* 1050



1. SELECT POSITION ON WALL WHERE FIXTURE IS TO BE INSTALLED. STRIKE HORIZONTAL AND VERTICAL CENTERLINES.
2. PROVIDE 12" HIGH x 8" WIDE OPENING CENTERED AS SHOWN.
3. FOR 3/4" WALL THICKNESS, ANCHOR BOX USING (4) TABS ON SIDES. IF WALL IS GREATER THAN 3/4", REMOVE TABS USING HEX KEY PROVIDED AND ANCHOR TO WALL THROUGH HOLES IN SIDES OF BOX. (ANCHORING SCREWS BY OTHERS.)



Bradley
CORPORATION

AN84-1030
REV A
EN 87-6604
REV B
EN 08-697

INSTALLATION INSTRUCTIONS

PO Box 309 Menomonee Falls, WI 53051

215-500

PAGE 1 OF 1