

- Specify color _____
(See color chart in back of catalog)
- Model 2443 — Recessed
- Model 2443-10 — Semi-Recessed
(recesses 2 1/8"; projects 1 7/8")
- Model 2443-11 — Surface-Mounted
(projects 4")
- Accent Series — Color Laminate

Product Materials

CABINET: 22 gauge stainless steel with exposed surfaces in architectural satin finish. Welded construction with seamless corners and burr-free edges.

DOOR: 5/16" thick solid laminate, made of colored Melamine bonded under high pressure to a phenolic core. All exposed edges are machined smooth to a uniform dark finish. Attached to cabinet with full length, heavy duty stainless steel piano hinge. Equipped with a latch. Tumbler lock optional.

TOWEL DISPENSER: 22 gauge stainless steel. Rolled edge on dispenser opening.

Capacity

Towel Dispenser — 400 multi-fold or 300 C-fold paper towels.

Operation

Towel dispenser holds multi-fold or C-fold towels without use of special adaptor.

Installation

Verify all rough-in dimensions prior to installation. Recessed unit requires rough wall opening 11 13/32"W x 15 3/4"H x 4"D (Semi-recessed unit only 2 1/2" deep). Secure to framing with mounting screws (included) at holes provided. Shim at screw points as required. Surface-mounted units must have holes drilled by installer.

Guide Specification

Recessed towel dispenser shall be fabricated of heavy gauge stainless steel. Cabinet door of 5/16" thick solid laminate with full length piano hinge and secured by a latch. Towel dispenser capacity 400 multi-fold or 300-C fold towels.

Overall dimensions: 13"W x 17 3/8"H x 4 1/8"D.



Optional Features

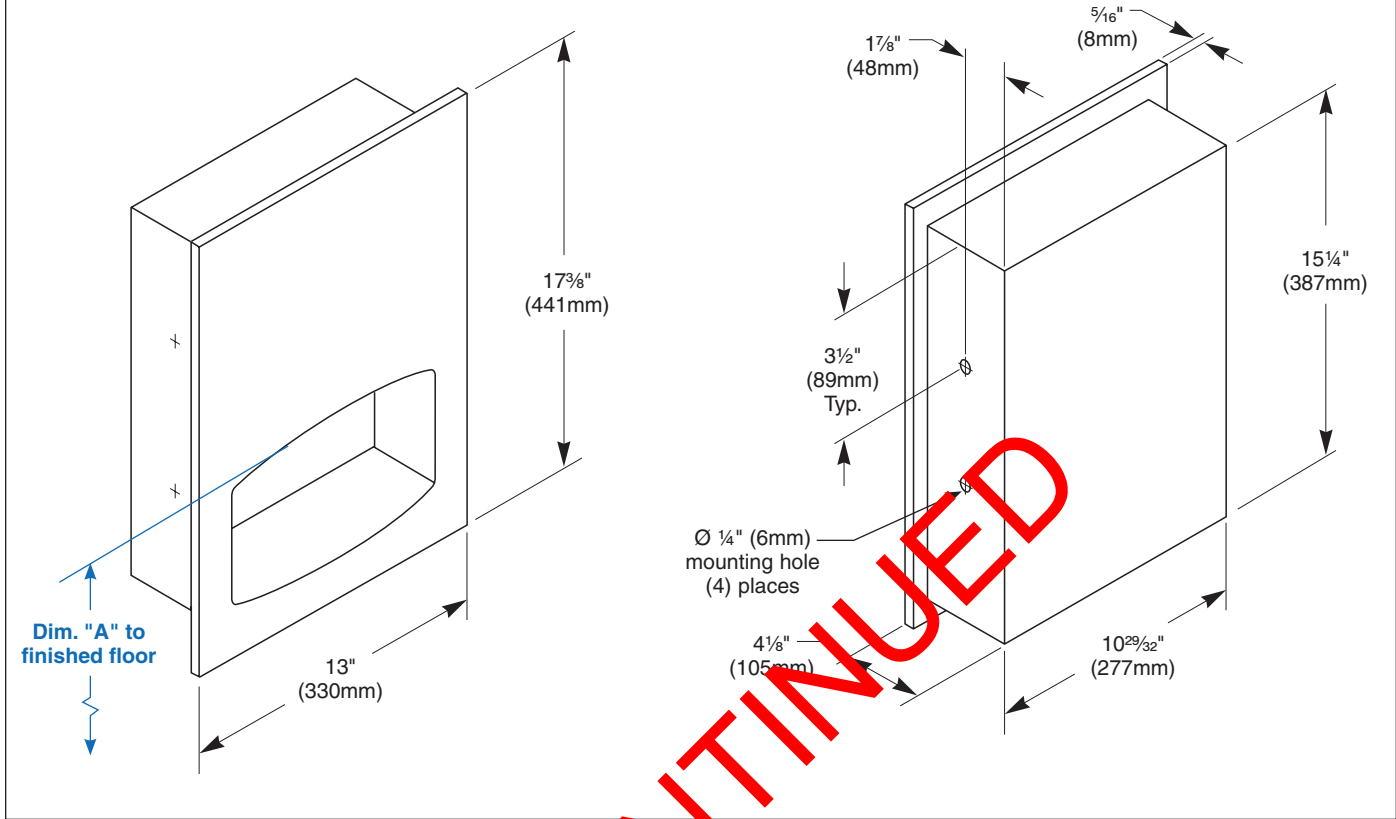
Feature	Suffix
<input type="checkbox"/> Tumbler locks	-15

ADA Compliant

- Consult local and national accessibility codes for proper installation guidelines.
- Conformity and compliance to local and national codes is the responsibility of the installer.

Washroom Accessories
Document No. 8165

Dimensions



Dim. "A" Key Surface:	For Dim. "A"	Top of Rough Wall Opening	Bottom of Rough Wall Opening
Paper towel top of opening to finished floor	48" (1219mm)	57 1/4" (1454mm)	41 1/2" (1054mm)
	45" (1143mm)	54 1/4" (1378mm)	38 1/2" (978mm)
	42" (1067mm)	51 1/4" (1302mm)	35 1/2" (902mm)
	40" (1016mm)	49 1/4" (1251mm)	33 1/2" (851mm)
Rough wall opening:			
Surface Mount:	No rough opening, see overall dimensions		
Recessed:	11 3/8" (290mm) Wide x 15 3/4" (401mm) High x 4" (102mm) Deep		
Semi-Recessed:	11 3/8" (290mm) Wide x 15 3/4" (401mm) High x 2 1/8" (54mm) Deep		

Washroom Accessories
Document No. 8165