

Specifications

Materials

Box is constructed of 18 gauge Type 304 stainless steel. Stop and valve body are cast brass.

Construction

All seams are heliarc welded and ground smooth to eliminate voids. The door incorporates concealed hinges, and comes equipped with a cam and cylinder lock furnished with two keys. Valve parts are replaceable from the front. Supply inlets are 1/2" nominal copper female; outlet is 1/2" nominal copper.

Finish

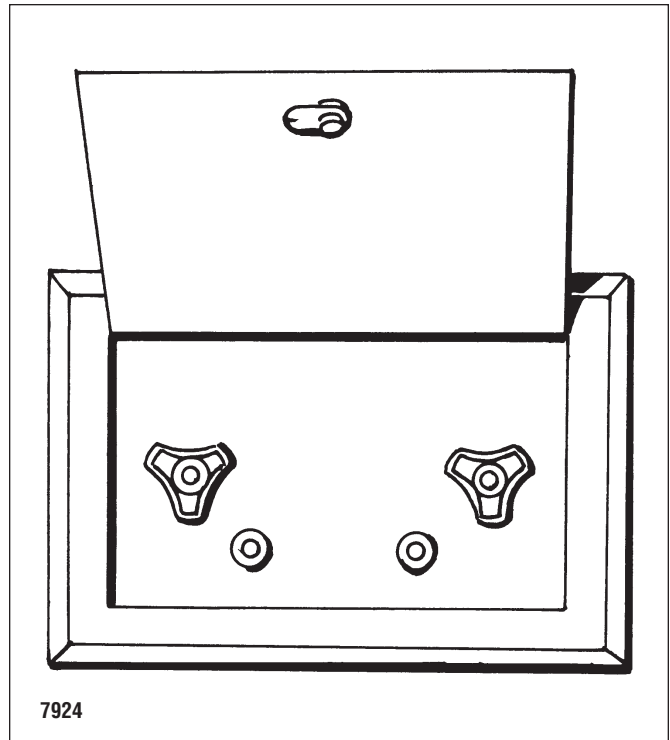
All exposed stainless steel surfaces are polished to a #4 satin finish. Exposed valve parts are chrome-plated.

Wall Anchoring

No exposed mounting fasteners. Unit is secured from within cabinet with mounting hardware furnished by others.

Standard Equipment

Supply box with hot and cold water screwdriver stops and valves, cylinder lock with two keys.



Dimensions

(mm)

