

- Reliable wax-filled thermostat
- Adjustable set point within temperature range
- Easy installation and serviceability
- Dirt and lime resistant
- Factory assembled and tested
- Universal mounting capability
- Accurate temperature control $\pm 3^\circ$

Valve Specifications

Maximum Operating Pressure

125 PSI (860 kPA)

Maximum Inlet Temperature

180° F (82° C)

Temperature Range

Std. 95° F (35° C) to 115° F (43° C)

Set Point 105° F (41° C)

Flow Capacities – GPM (L/Min)

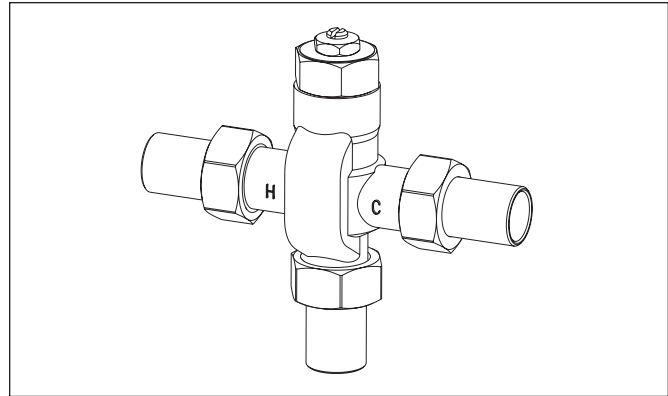
Model	Min. Flow	Pressure Drop – PSI (Bar)						
		5 (.5)	10 (1.0)	15 (1.5)	20 (2.0)	30 (2.5)	45 (3.0)	60 (4.0)
S59-4015	0.5 (2.0)	4.5 (17.0)	6.0 (22.75)	7.25 (27.5)	8.5 (32.25)	10.25 (39.0)	12.5 (47.5)	15.0 (56.75)

Models (Must select one)

Model **Description**
 S59-4015 Vernatherm™ 15 GPM Base Valve

Valve w/Tailpiece, Nut and Checks

- S59-4015D** Vernatherm™ 15 GPM w/ 1/2" Dual NPT/Sweat Connections
- S59-4015N** Vernatherm™ 15 GPM w/ 3/4" NPT Connections
- S59-4015S** Vernatherm™ 15 GPM w/ 3/4" Sweat Connections



Code Compliance

ASSE 1017.



Engineer's Approval _____

Dimensions

