

Installation Instructions

S93-068

Boot Sanitizer

U.S. Patent No. 6,668,842

Table of Contents

Pre-Installation Information	2
Dimensions	3
Installation Instructions	4-5
Adjustments:	
Water Volume	5
Foot Valve	6
Chemical Feed	6
Cleaning and Maintenance	7
Periodic Maintenance	7
Component Assembly Drawings ...	7-10
Repair Part Kits	11-12



IMPORTANT

Read this entire installation manual to ensure proper installation.

Flush all the water supply lines before making connections.

File these instructions with the owner or maintenance department.



Pre-Installation Information

Overview

The Bradley Boot Sanitizer is constructed of 14-gauge stainless steel with a bead blasted finish. The unit is either placed over an open drain or inside an optional pan assembly with 1-1/4" NPT drain coupling. The Boot Sanitizer is activated by standing on the grate. The grate then compresses the two springs to activate a lever on a foot valve and start the disinfectant action. A blend of water and chemical disinfectant is sprayed from two spray rings beneath the grate and four nozzles above the grate to disinfect the boots. Adjustment of volume control and disinfectant adjusting screw, controls the concentration of disinfectant dispensed.

Minimum assembly is required by the user:

- Assemble (2) grab bars to cabinet with hardware provided
- Connect water supply to 1/2" NPT inlet
- Put springs in place onto stops
- Place the grate over the springs
- Position disinfectant bottle in tray, remove cable tie fastening disinfectant hose during shipment and place the screened end of hose in the bottle.
- Turn on the water
- Make adjustment for water flow using volume control
- Make adjustment for chemical disinfectant flow

Supplies required for installation:

- 1/2" NPT cold or tempered (120°F maximum) water supply
- 1-1/4" NPT drain piping (used with optional drain pan assembly)

Bradley Boot Sanitizer Warranty

Bradley Corporation warrants to commercial and institutional purchasers only each unit free from defects in material and workmanship under normal use and service upon the following terms and conditions:

1. This warranty is limited to replacing or repairing, at our option, transportation charges prepaid by the purchaser, any Bradley unit or part thereof which our inspection shall show to have been defective within the limitations of this warranty.
2. The period during which Boot Sanitizer components are warranted is one year.
3. This warranty does not cover installation or any other labor charges and does not apply to any units which have been damaged by accident, abuse, improper installation or improper maintenance.
4. The replacement or repair of defective units as stated in this warranty shall constitute the sole remedy of the purchaser and the sole liability of Bradley Corporation under this warranty. Bradley Corporation shall not otherwise be liable under any indirect damages caused by defects in the repair or replacement thereof.
5. This warranty extends only to commercial and institutional purchaser and does not extend to any others, including consumer customers of commercial institutional purchasers.
6. This warranty is in lieu of all other warranties, expressed or implied, including any implied warranty of merchantability or fitness for a particular purpose or otherwise.

Boot Sanitizer Dimensions

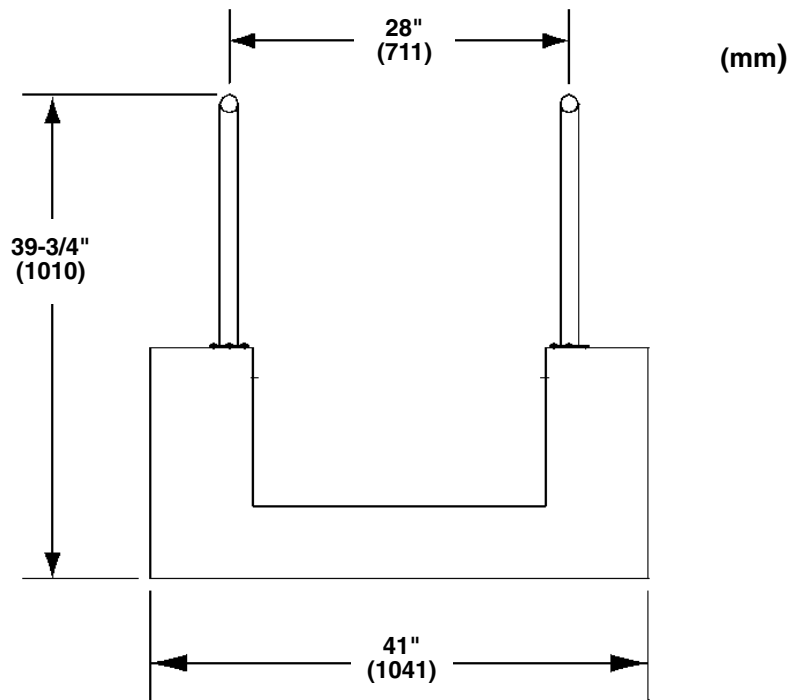
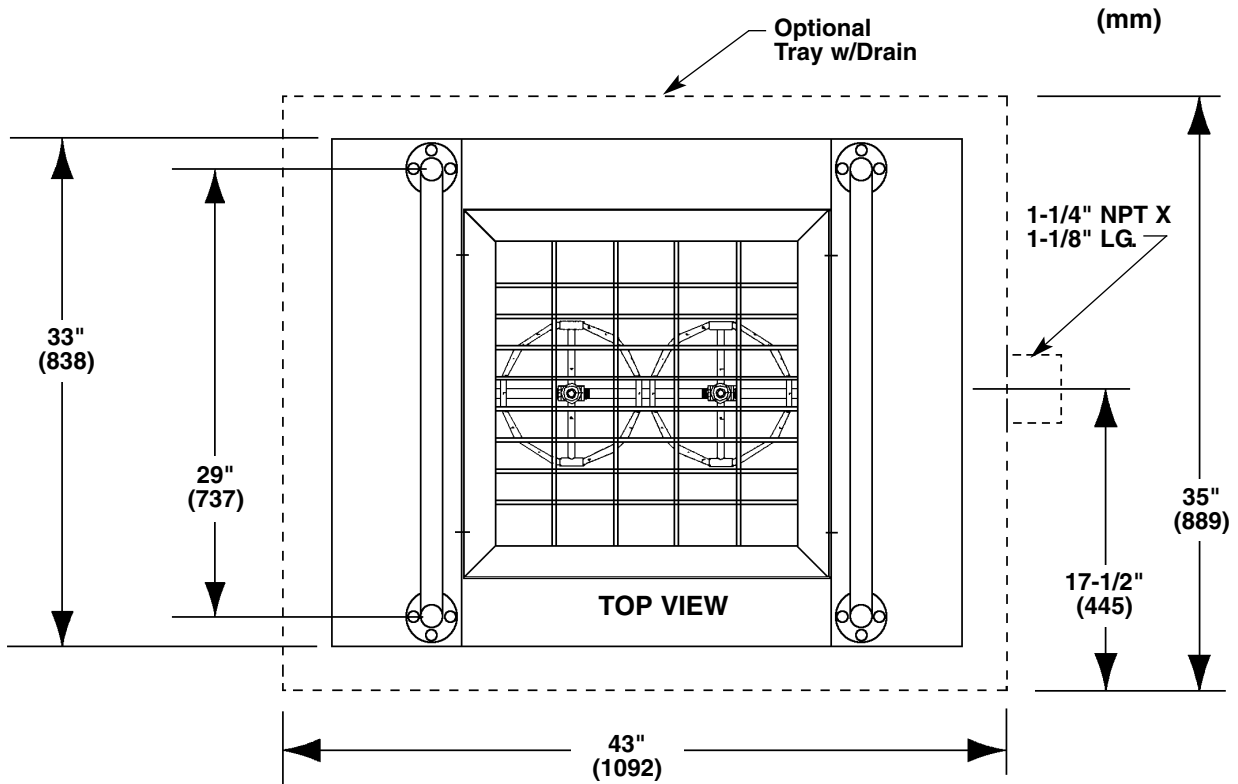


Figure 1

FRONT VIEW

Installation Instructions

Step 1: Rough-in

1. Prepare an area to place the boot sanitizer over an appropriate drain (or provide a location for the optional drain pan). Refer to Figure 1 for mounting dimensions.
2. Rough in 1/2" NPT supply line.

NOTE: Check plumbing codes, a Vacuum Breaker may be required.

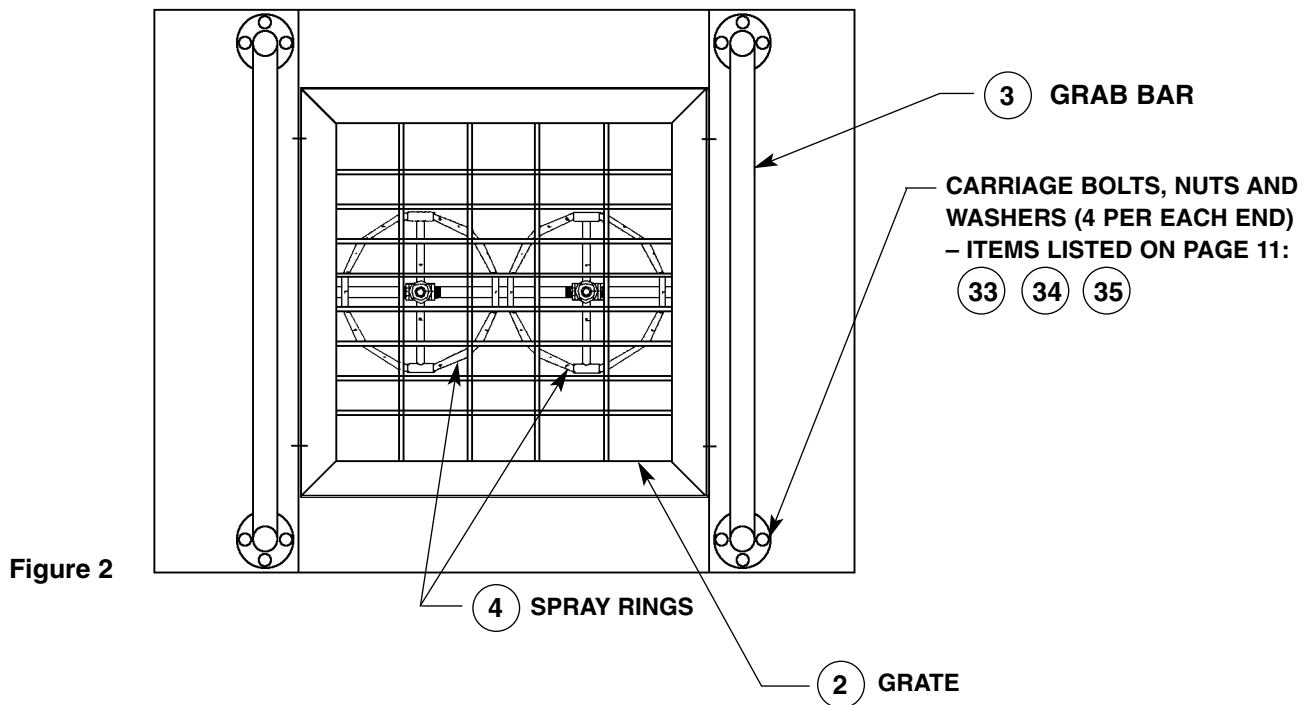
3. Rough in optional drain pan 1-1/4" NPT drain waste connection.

Step 2: Unpacking

1. The boot sanitizer is shipped in one box. Two boxes if optional drain pan is provided.
2. Remove bag of loose parts/instructions.
3. Open the box and remove the grab bar assemblies and grate sub assembly.
4. Remove the cabinet assembly.

Step 3: Installing components

1. Mount the two grab bars to the cabinet with mounting hardware provided (see Figure 2).
2. Place the (2) springs over the welded stops in the cabinet shroud (see Figure 3)
3. Connect the supply piping (see Figure 4).
4. Place grate sub assembly over the springs making sure plastic wear plate (Figure 5) is oriented correctly over foot valve lever.



Installation Instructions *continued . . .*

Step 4: Connecting the Disinfectant Bottle

1. Remove cap from disinfectant bottle (customer supplied).
2. Position the disinfectant bottle on tray as shown in Figure 4.
3. Take hose connected to disinfectant mixing valve (see Figure 4 below and Figure 6 on page 6) and remove cable tie used in shipping then place screened end of hose in bottle.

Adjustments

Step 1: Water Adjustment

1. Adjust the water flow (refer to Figure 4 for location of water volume control valve).

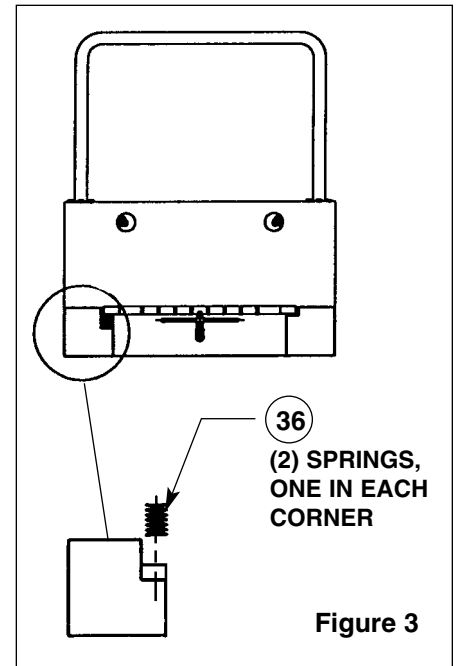


Figure 3

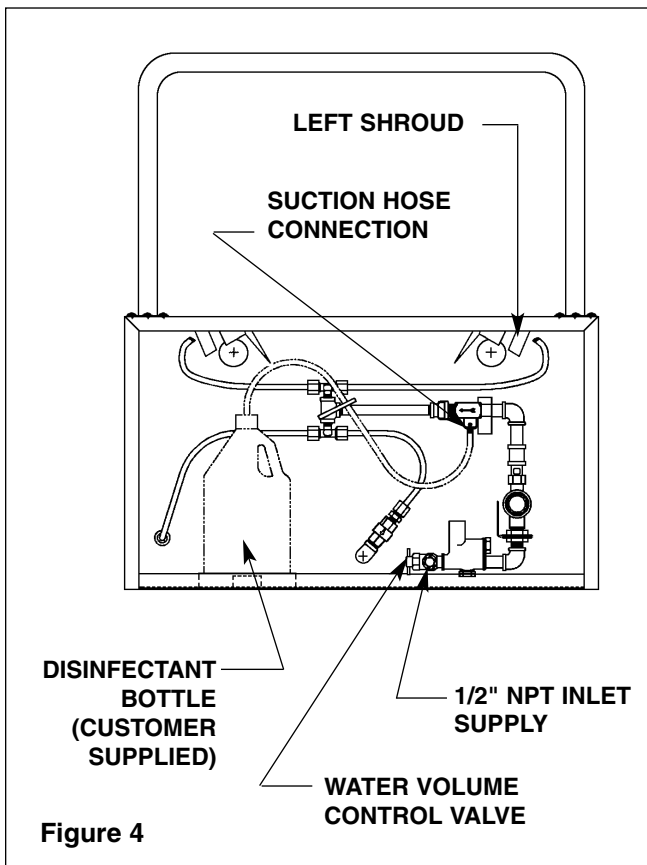


Figure 4

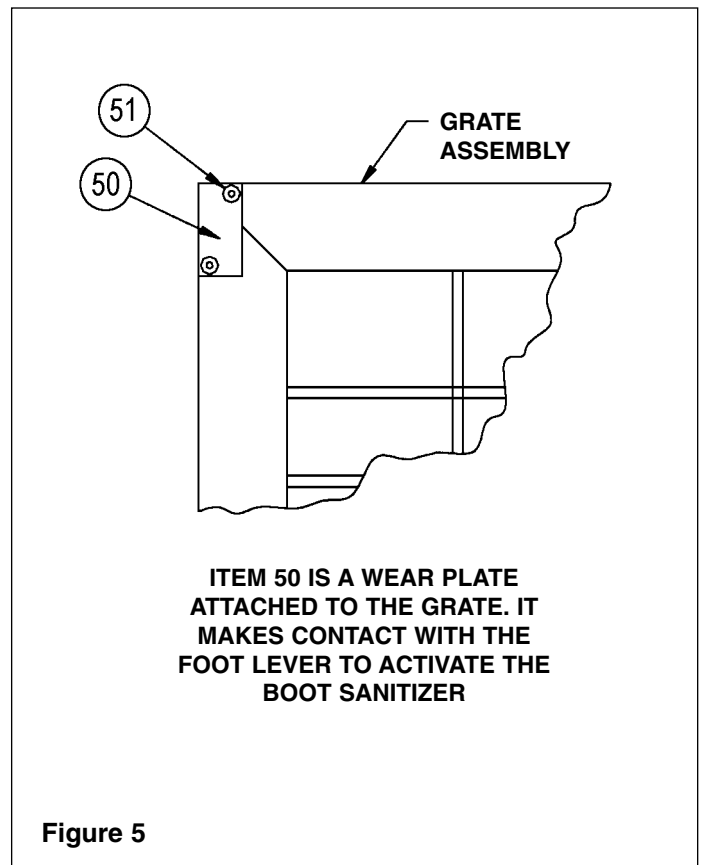


Figure 5

Adjustments *continued* . . .

Table 1

INJECTOR		TOTAL SPRAY NOZZLE FLOW — GPM									MAX. INJECTION OZ/MIN.			MIN. INJECTION CC/MIN.		
MODEL NUMBER	NOZZLE BUSHING	SPRAY NOZZLE PRESSURE — PSI									VISCOSITY—CPS			VISCOSITY—CPS		
		10	20	30	40	50	60	80	100	150	1	75	220	1	75	220
204C	13	3.2-3.9	4.1-5.1	4.8-6.0	5.5-7.6	6.1-8.2	6.6-8.3	7.6-9.4	8.3-10	10-14	30	8	3.5	30	15	7

Step 2: Chemical Adjustments

1. Refer to Table 1 for flow rates at varying line pressures.
2. Adjust the chemical flow (refer to Figure 6 for location of adjustment screw).
3. Turn the metering screw to the left to increase the injection rate. Five turns provides the maximum shown in Table 1. These figures are with 8 feet of suction tubing, a lift of 4 feet from the fluid container to the injector, and for a maximum water temperature of 120°F. If the chemical is viscous (above 75 cps) the maximum injection rates can be as much as doubled by using 3/8" ID tubing. (Dema part 100-12L.) Use a 1" piece of regular tubing over the inlet barb as a bushing.

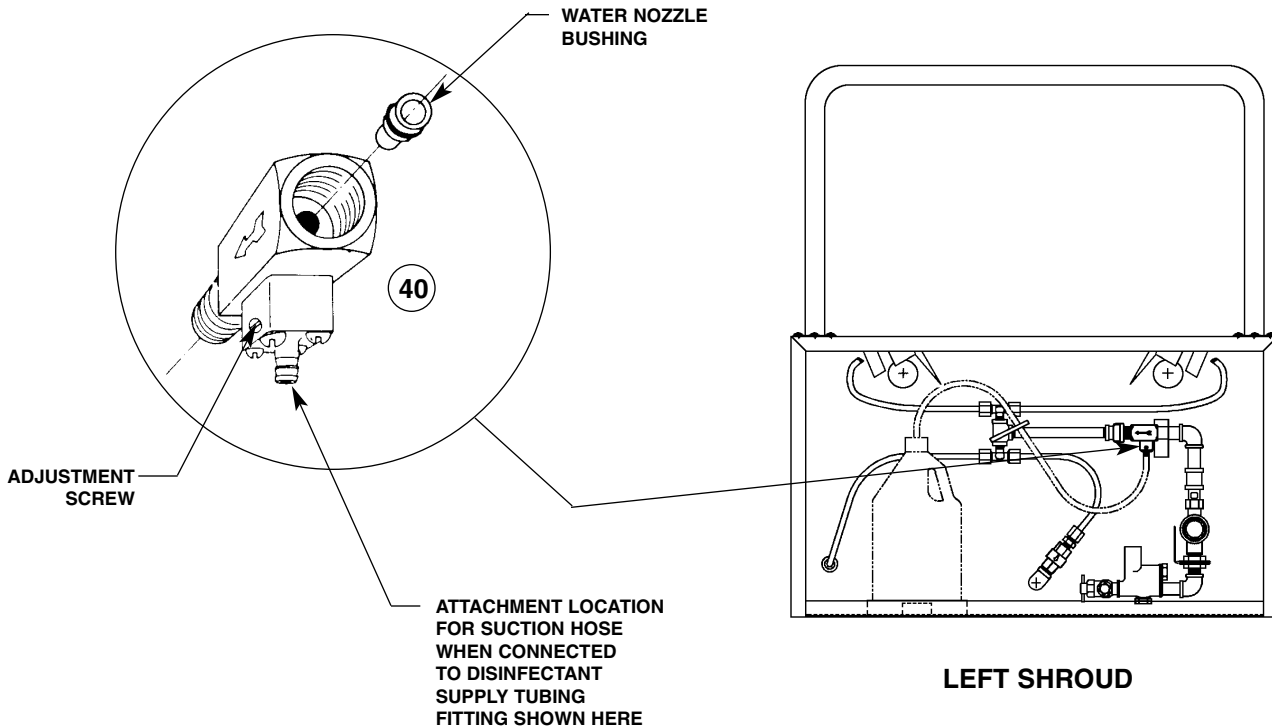


Figure 6 DISINFECTANT MIXING VALVE

Stainless Steel cleaning

Stainless steel is extremely durable, and maintenance is simple and inexpensive. Proper care, particularly under corrosive conditions, is essential. Follow the cleaning instructions listed below:

- Ordinary deposits of dirt and grease are quickly removed with soap and water. Whenever possible, the metal should be thoroughly rinsed and dried after washing. To remove tightly adhering deposits, use stainless steel polishing powder. In all cases, rub in the direction of the stainless steel grain.



IMPORTANT: Never use ordinary steel wool or steel brushes on stainless steel. Always use stainless steel wool or stainless steel brushes.

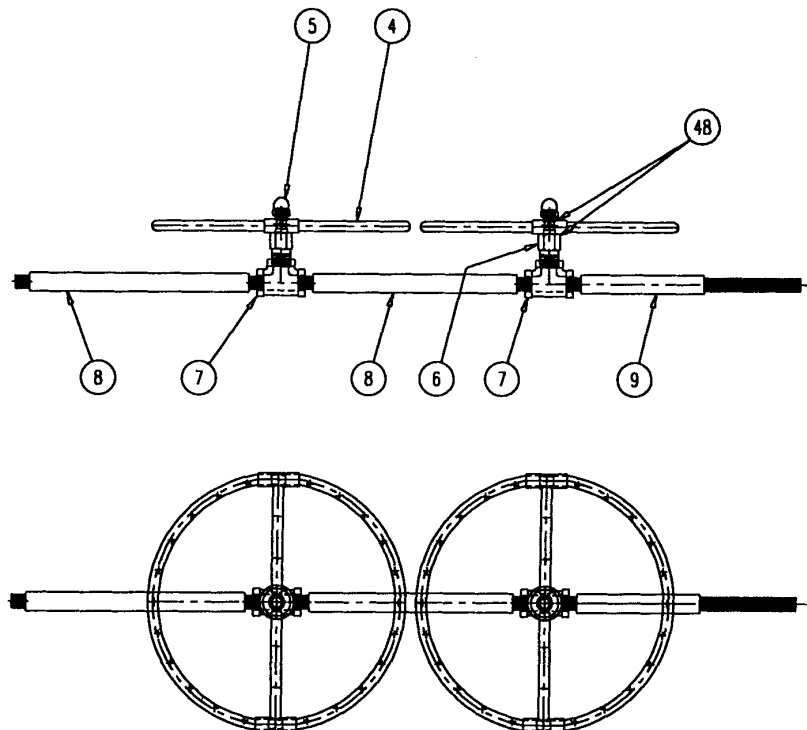
- Avoid prolonged contact with chlorides, bromides, thiocyanates, and iodides on stainless steel equipment, especially if acid conditions exist.
- Do not permit salty solutions to evaporate and dry on stainless steel.

Periodic Maintenance

- Remove and clean the check valve strainer (see S60-003 on page 13)

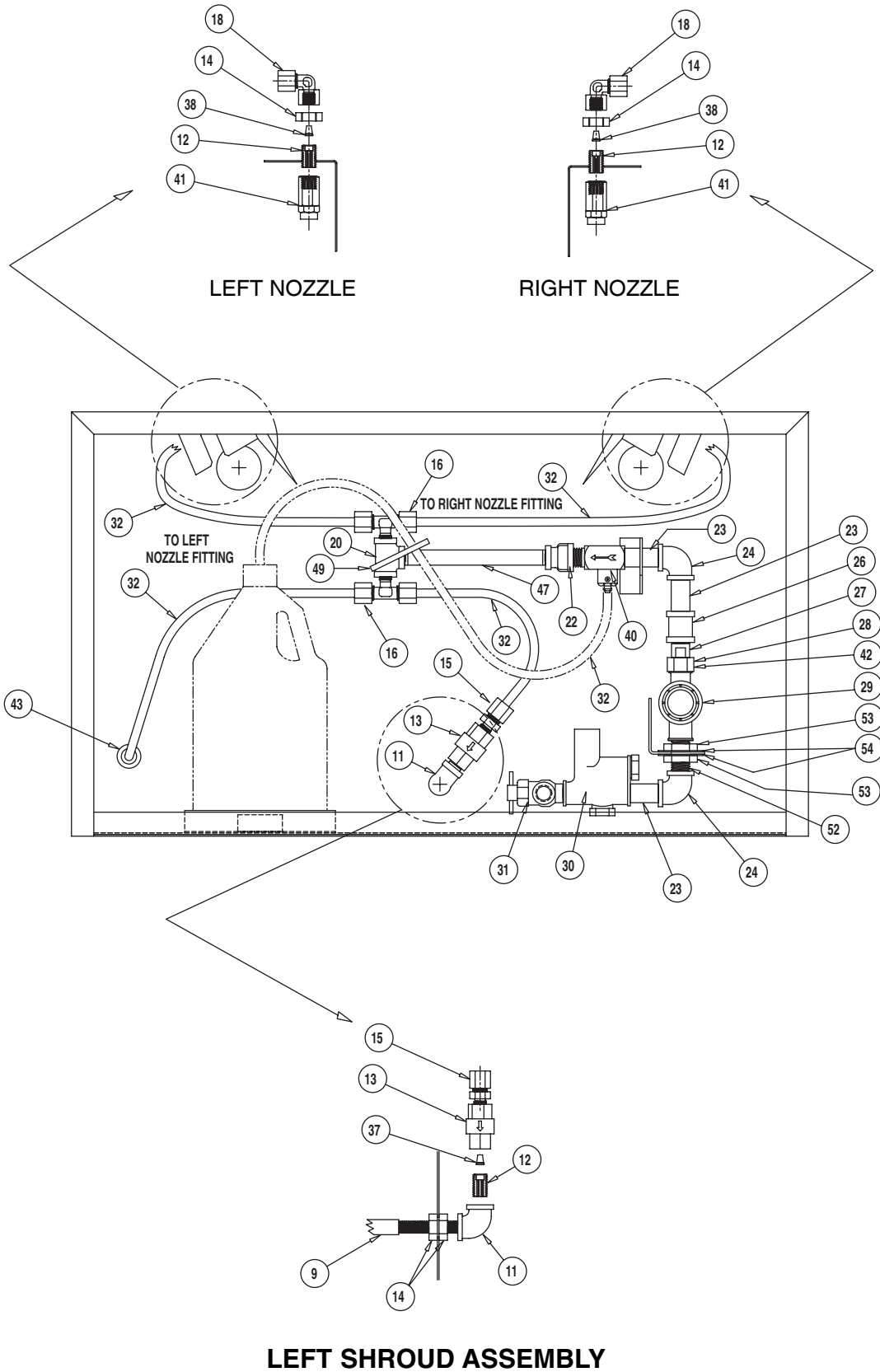
Component Assembly Drawings

All components are shown in the following illustrations. However, the user may obtain many standard "off the shelf" components from local plumbing supply stores.

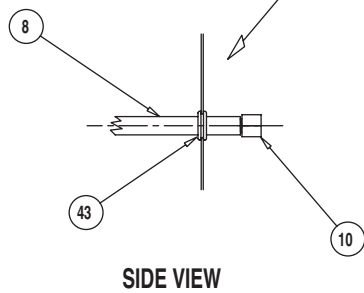
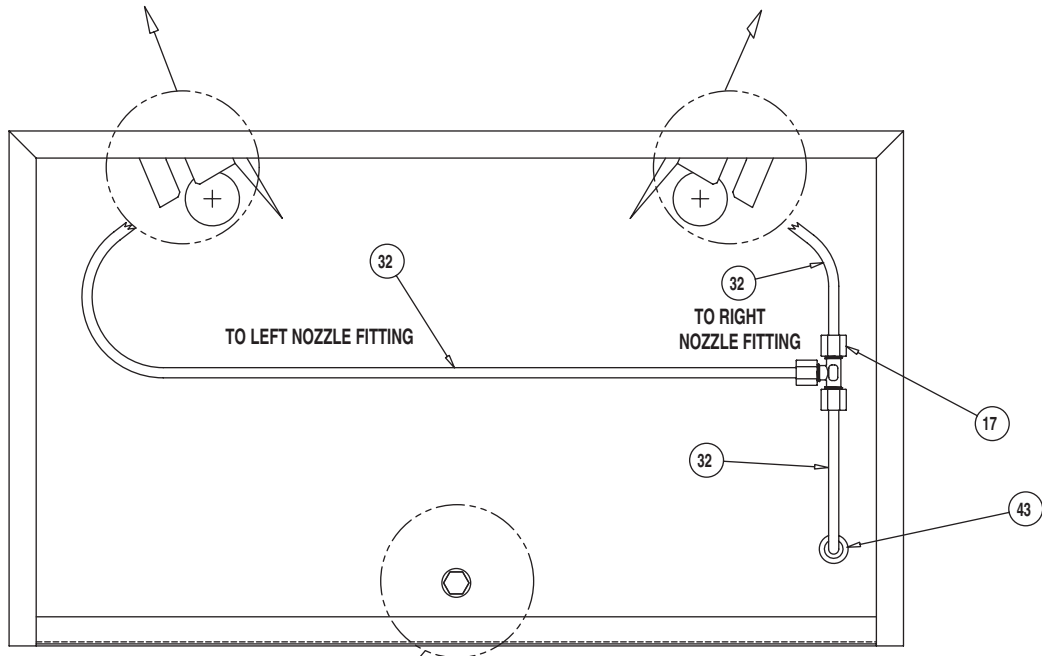


SPRAYRING ASSEMBLY

Components *continued* . . .



Components *continued* . . .



RIGHT SHROUD ASSEMBLY

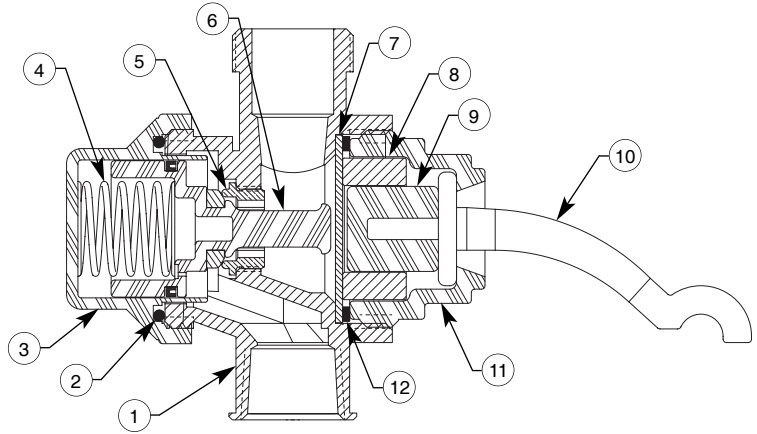
Parts List — Boot Sanitizer Assembly

Bubble No.	Part No.	Description	Qty
1	S39-422	CABINET ASSEMBLY	1
2	S39-423	GRATE SUB ASSEMBLY	1
3	S39-424	GRAB BAR ASSEMBLY	2
4	S39-425	SPRAY RING ASSEMBLY	2
5	110-209	ACORN NUT	2
6	269-912	SWIVEL STEM	2
7	169-1015	TEE, 3/8-18 NPT, S.S.	2
8	113-1040	NIPPLE, 3/8" X 8.50", 3/8-18 NPT BOTH ENDS	2
9	113-1041	NIPPLE, 3/8" X 8.50", 3/8-18 NPT & 3/8-18 NPS	1
10	169-1012	PIPE CAP, 3/8	1
11	169-1013	ELBOW, 90 X 3/8" S.S.	1
12	153-415	ADAPTER, RESTRICTOR HOLDER	5
13	269-1573	CHECK VALVE, PVC	1
14	110-226	NUT, 3/8" PIPE, S.S.	6
15	145-105	MALE CONNECTOR 3/8 OD TUBE X 3/8	1
16	145-103	MALE BRANCH TEE, 3/8 X 3/8	2
17	145-104	UNION TEE 3/8 OD TUBE	1
18	145-106	FEMALE ELBOW, 3/8 OD TUBE X 3/8	4
20	269-057	3/8" PIPE TEE, BRASS	1
22	169-059	RED CPLG 1/2" X 3/8" BRASS	1
23	113-779	NIPPLE (1/2-14 X 2 1/4") BRASS	3
24	169-364	1/2" BRASS ELBOW	2
26	169-1014	COUPLING, 1/2", BRASS	1
27	129-007	TAILPIECE UNPLATED WF	1
28	110-005	TAILPIECE NUT	1
29	S07-066	FOOT VALVE	1
30	S60-003	STOP-STRAINER & CHECK VALVE	1
31	S02-045	ANGLE VOLUME CONTROL VALVE	1
32	R68-600014	3/8" NYLON TUBING IN FT	10
33	269-1575	CARRIAGE BOLT, 5/16-18 S.S.	16
34	161-036	5/16 HEX NUT	16
35	142-002BK	STNLS LOCKWASHER, 5/16"	16
36	135-083	SPRING, COMPRESSION, S.S.	2
37	125-032	FLO-ET-FC 3 38B-10-57	1
38	125-085	FLO-ETFC 1.4 38A-7-52	4
40	118-289	DISINFECTANT MIXING VALVE, 204C	1
41	269-1576	NOZZLE, SPRAY, FEMALE, 3/8", 3/8FGS9.5	4
42	124-001AF	FIBER WASHER-TAILPIECE	1
43	125-134	GROMMET	3
47	113-042	NIPPLE, BRASS, 3/8-18 NPT X 5.75	1
48	124-055	QUAD RING EFX	4
49	269-147	CABLE TIE	1
50	159-412	PLATE, WEAR	1
51	160-138	SCREW, #10-24 X 1/2" BT SOC HD	2
52	113-1052	NIPPLE, BRASS 1/2 - 14 NPS X 2-1/4"	1
53	110-115	NUT, HEX 1/2 -14 NPSM	1
99	215-1321	INSTALLATION INSTRUCTIONS	1

Repair Parts

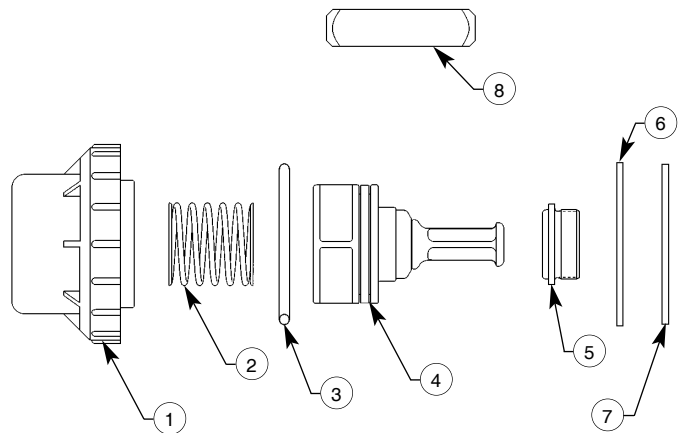
S07-066 Foot Valve

ITEM	QTY.	PART NO.	DESCRIPTION
1	1	118-302	FOOT VALVE BODY
2	1	125-154	O-RING, #2-127
3	1	118-300	COVER
4	1	135-088	SPRING
5	1	117-016	VALVE SEAT
6	1	S64-093	PLUNGER ASSEMBLY
7	1	125-001Y	DIAPHRAGM
8	1	179-002	PLUNGER GUIDE
9	1	119-024	PLUNGER
10	1	143-026	OPERATING LEVER
11	1	110-101	BOTTOM NUT
12	1	124-001V	WASHER, 1-3/8" x 5/8"



S65-230 Foot Valve Repair Kit (for S07-066)

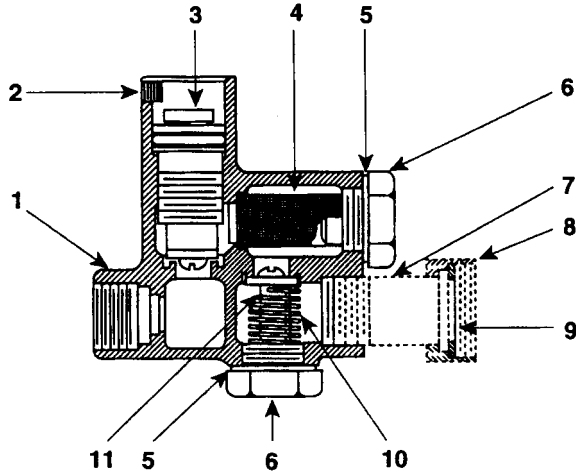
ITEM	QTY.	PART NO.	DESCRIPTION
1	1	118-300	COVER
2	1	135-088	SPRING
3	1	125-154	O-RING, #2-127
4	1	S64-093	PLUNGER ASSEMBLY
5	1	117-016	VALVE SEAT
6	1	125-001Y	DIAPHRAGM
7	1	124-001V	WASHER, 1-3/8" x 5/8"
8	1	130-033	KEY, VALVE SEAT
9	1	S45-125	LUBRICANT (not shown)



Repair Parts *continued* . . .

Repair Kit for Stop/Check Brass Strainer S60-003

S60-003 Brass Only Valve



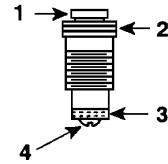
Check Valve Assembly

ITEM	QTY.	PART NO.	DESCRIPTION
1	1	118-039	VALVE BODY - BRASS
2	1	160-131	SET SCREW
3	1	S21-014	STOP ASSEMBLY
4	1	156-006	SCREEN
5	2	124-001D	FIBER WASHER
6	2	153-068	PLUG - BRASS
7	1	129-007	TAILPIECE - BRASS
8	1	110-005	TAILPIECE NUT - BRASS
9	1	124-001AF	TAILPIECE WASHER
10	1	135-001AB	SPRING
11	1	S21-015	CHECK ASSEMBLY

Order Prepackaged Repair Kit - S45-050		
QTY.	PART NO.	DESCRIPTION
1	156-006	STRAINER
1	135-001AB	SPRING
2	124-001D	WASHER
1	125-001AW	O-RING
1	125-001L	WASHER BIBB
1	S21-015	CHECK VALVE
2	124-001AF	WASHER
2	153-068	STRAINER CHECK PLUG

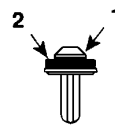
Stop Assembly (S21-014)
Standard Celcon Core

ITEM	QTY.	PART NO.	DESCRIPTION
1	1	119-057	VALVE CORE
2	1	125-001AW	O-RING
3	1	125-001L	BIBB WASHER
4	1	160-164	SCREW



Check Assembly (S21-015)

ITEM	QTY.	PART NO.	DESCRIPTION
1	1	119-091	PLUNGER
2	1	125-001BB	WASHER



Volume Control Valve - S02-045 Repair Parts

ITEM	QTY.	PART NO.	DESCRIPTION	BRASS VALVE S02-045	REPAIR KIT S45-198
1	1	125-001BC	O-RING	1	1
2	1	152-038	ROLL PIN	1	1
3	1	121-016	BONNET	1	1
4	2	124-001BD	FIBER WASHER	1	1
5	2	119-060	VALVE CORE	1	1
6	1	129-007	VALVE BODY	1	-

