

Rough-In And Installation Information For Column Showers And Drains-Type A Supplies From Below/Vent Off Drain

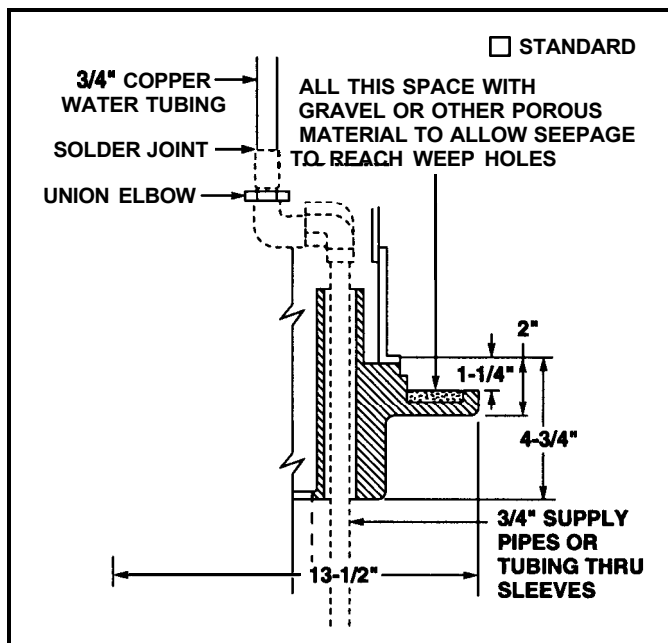


Figure 1

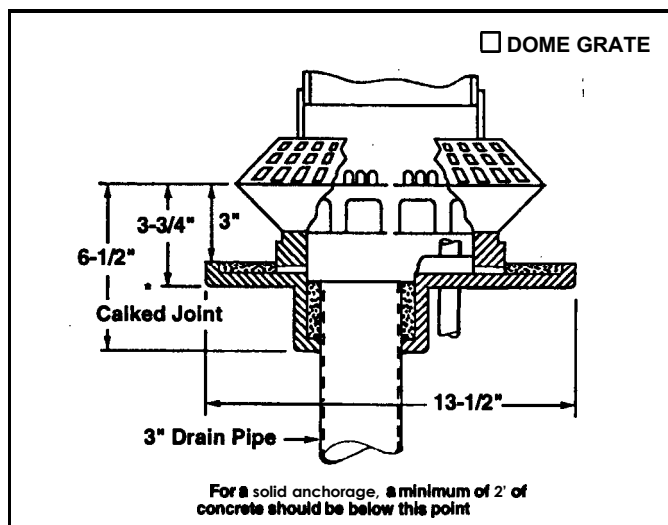


Figure 2

Drain Rough-In Instructions

1. Determine direction of shower spray. Showerhead locations relate to drain placement and where this is critical (close to doors, with Modesty Modules, etc.) careful drain placement is important. Refer to appropriate diagram on page two and rotate drain, using index bolt, so showerheads will be in desired position.
2. Locate finish floor line. Position drain so that top of disposable washer will be flush with finish floor. Floor should pitch to drain $1/4$ " per foot.
- 2A. If clamping ring is used, refer to Pub. 215-264.
3. Level top of drain. Be certain drain fitting is level so that Column will install plumb.
4. Make connections. Connect drain to waste piping and stub-up $3/4$ " supplies through sleeves, Figure 1. Double check steps 2 and 3 above.

Dome Grate Drains

Procedure is identical to that outlined except:

- A. Prior to step one, assemble drain pan and spacer to casting.
- B. Disposable washer will be on drain pan instead of drain casting. Position drain and pan assembly as in step two above. The two halves of the dome grate are installed after shower Column is in place, Figure 2.

Column Installation

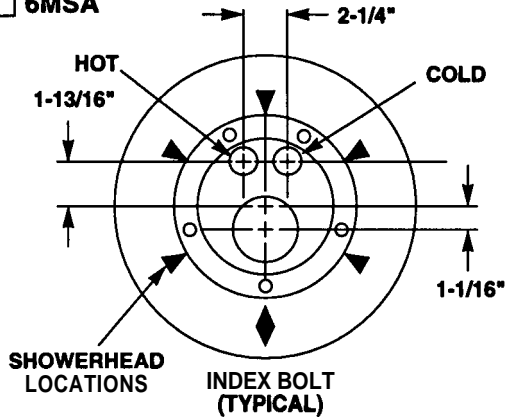
1. Flush supply lines.
2. Remove disposable washer from top of drain and bolt Column to drain.
3. Connect supplies, as shown, through access opening.
4. Test for proper operation. Replace hand hole cover.

Showerhead Locations And Piping Dimensions-Top View

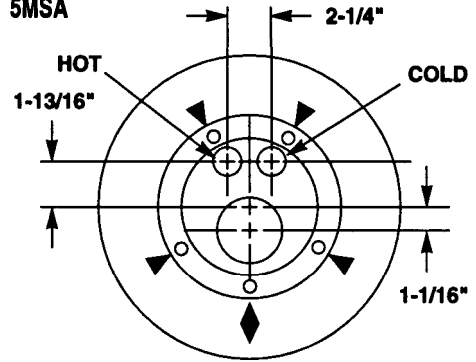
◆ INDEX BOLT LOCATES SHOWERHEAD ON C/L OF ACCESS OPENING AND NAMEPLATE.

WALL MODELS

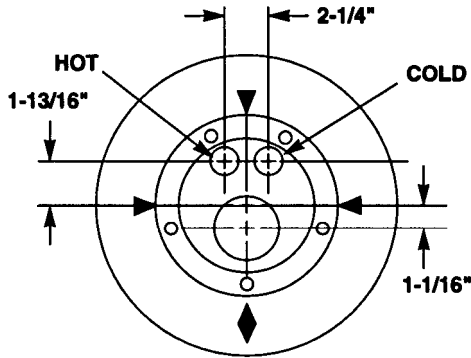
- 6CA
- 6MSA



- 5CA
- 5MSA

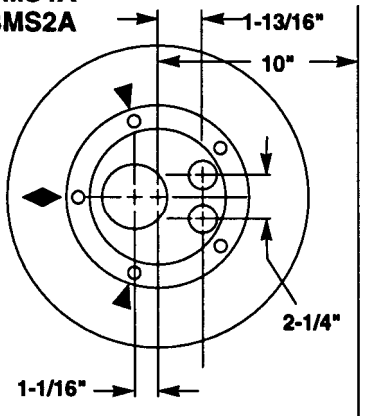


- 4CA
- 4MSA
- 4MMA
- 2MMA



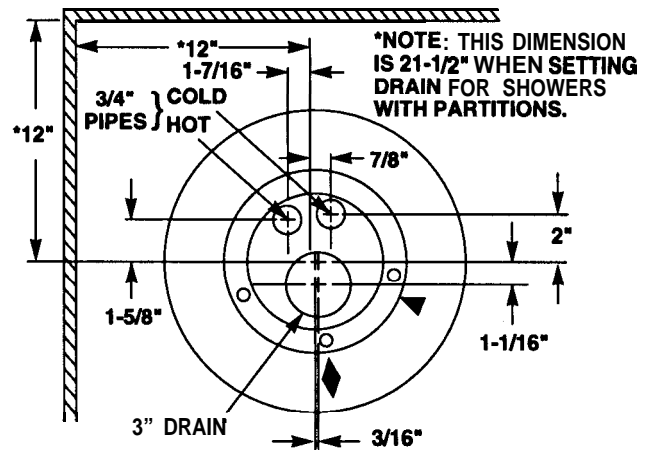
WALL MODELS

- 3CA
- 3MS4A
- 3MS2A



NOTE:
THIS DIMENSION IS 14-9/16" WHEN SETTING DRAIN FOR SHOWERS WITH PARTITIONS.

- 2CA
- 2MS3A
- 2MSIA



*NOTE: THIS DIMENSION IS 21-1/2" WHEN SETTING DRAIN FOR SHOWERS WITH PARTITIONS.

CORNER MODELS

SUPPLIES

Supply lines to Bradley Column showers should be a minimum of 1" NCT. Supply Inlets are 3/4" male NCT. Single temperature systems connect to the right hand (cold water) side of manifold.