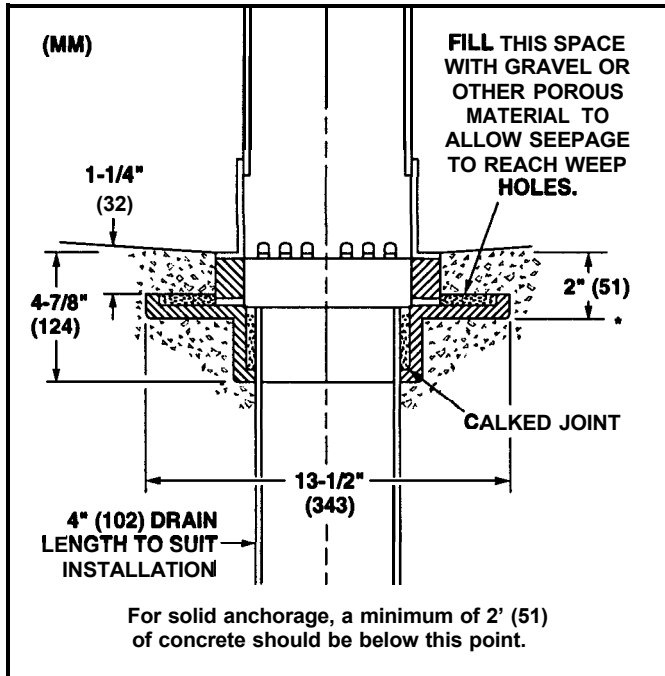


Rough-In And Installation Information For Column Showers And Drains-Type 0 Supplies From Above/Vent Off Drain



Drain Rough-In Instructions

1. Determine direction of shower spray. Shower-head locations relate to drain placement and where this is critical (close to doors, with Modesty Modules, etc.) careful drain placement is important.
2. Locate finish floor line. Position drain so that top of disposable washer will be flush with finish floor. Floor should pitch to drain 1/4" per foot. (19 mm per meter)
3. Level top of drain. Be certain drain fitting is level so that Column will install plumb.
4. Make connections. Connect drain to waste piping. Double check steps 3 and 4 above.

Column Installation

1. Flush supply lines.
2. Remove disposable washer from top of drain pan and bolt Column to drain.
3. Drop supplies to top of Column. Slide cover up supplies. Make supply connections.
4. Test for proper operation. Secure Column cover.

Dome Grate Drains

Procedure is identical to that outlined except:

- A. Prior to step one, assemble drain pan and spacer to casting.
- B. Disposable washer will be on drain pan instead of drain casting. Position drain and pan assembly as in step two above. The two halves of the dome grate are installed after shower Column is in place.

Column Installation

1. Flush supply lines.
2. Remove disposable washer from top of drain pan and bolt Column to drain.
3. Connect supplies, as shown, through access opening.
4. Test for proper operation. Replace hand hole cover.

