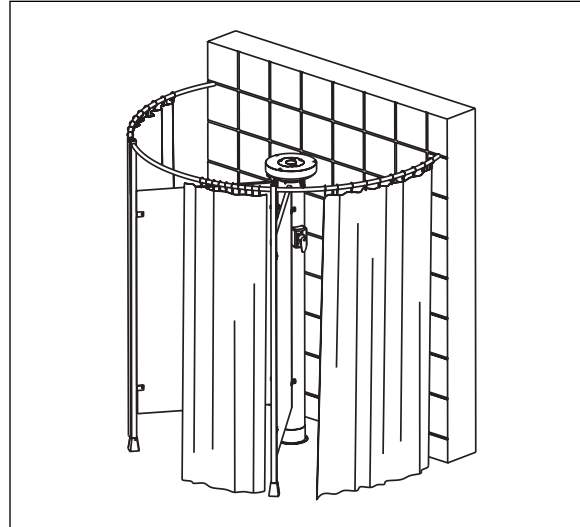
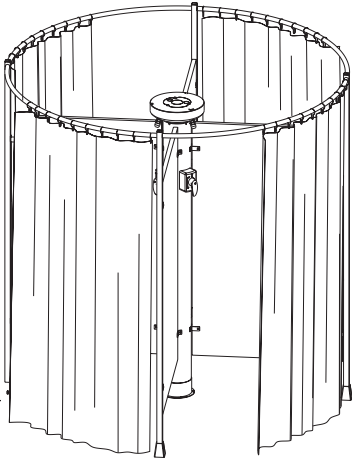
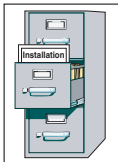


Installation

Multi-Stall Column Showers



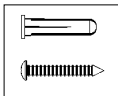
IMPORTANT!



Read this entire installation manual to ensure proper installation. When finished with the installation, file this manual with the owner or maintenance department.



Separate parts from packaging and make sure all parts are accounted for before discarding any packaging material. If any parts are missing, do not begin installation until you obtain the missing parts.



Hardware supplied by installer must be appropriate for wall construction.



Product warranties may be found under "Product Information" on our web site at www.bradleycorp.com.

Table of Contents

Supplies Required By Installer	2
<input type="checkbox"/> 1 Beginning Multi-Stall Installation	3
<input type="checkbox"/> 2 Determining Post Location	4
<input type="checkbox"/> 3 Completing Post Installation	5
<input type="checkbox"/> 4 Installing Curtain Rails and Completing Installation	5

About Your Bradley Multi-Stall Column Showers

Multi-Stall Showers combine all the benefits of Bradley Column Showers with the advantage of showering privacy to serve 2 to 6 persons. Multi-Stall Showers are easy to install, keep clean, and maintain.

Multi-Stall Showers have stainless steel columns, framework and partitions. All units come complete with showers, partitions, framework, curtains, curtain hooks, and all the necessary attaching hardware.

Bradley Multi-Stall Column Showers are durably built for reliable and long-lasting use.

Tools Required by Installer

- Phillips screwdriver
- Level and measuring device
- Hex wrench
- Drill and bits for 5/32" and 1/4" diameter holes into stainless steel

NOTE: When drilling into stainless steel, Bradley recommends the following:

1. Use a "Cobalt" drill bit
 2. Use a 1750 RPM drill speed
 3. Use cutting oil
- Drill and bits for 3/8" diameter holes into floor

1 Beginning Multi-Stall Installation

A INSTALL YOUR BRADLEY COLUMN SHOWER AS INSTRUCTED IN THE "COLUMN SHOWER INSTALLATION AND MAINTENANCE INSTRUCTIONS" PROVIDED WITH YOUR NEW MULTI-STALL SHOWER.

B FASTEN THE COLUMN BRACKETS TO THE COLUMN SHOWER USING THE 1/4"-20 X 5/16" BUTTON HEAD SCREWS PROVIDED. SEE FIGURE 1.

C POSITION THE PARTITIONS SO THE TOP OF THE PARTITION IS EVEN WITH THE TIP OF THE SHOWERHEAD AND A 1/4" SPACE EXISTS BETWEEN THE PARTITION AND COLUMN SHOWER. SUPPORT PARTITIONS IN PLACE. SEE FIGURE 1.

D MAKE SURE THE PARTITIONS ARE LEVEL AND PLUMB.

E USING THE COLUMN BRACKETS AS TEMPLATES, DRILL 1/4" DIAMETER HOLES INTO THE PARTITIONS.

F AFTER THE HOLES ARE DRILLED INTO THE PARTITIONS, SECURE THE PARTITIONS TO THE COLUMN BRACKETS USING THE #10-24 X 1/2" BUTTON HEAD SCREWS AND SPACERS PROVIDED. NOTE: ASSEMBLE SPACERS TO BUTTON HEAD SCREWS BEFORE INSTALLING PARTITION.

G FASTEN THE POST BRACKETS TO THE POSTS AT THE SAME VERTICAL HEIGHT AS THE BRACKETS MOUNTED TO THE COLUMN (SEE FIGURE 2). FOLLOW THE INSTRUCTIONS IN FIGURE 2.

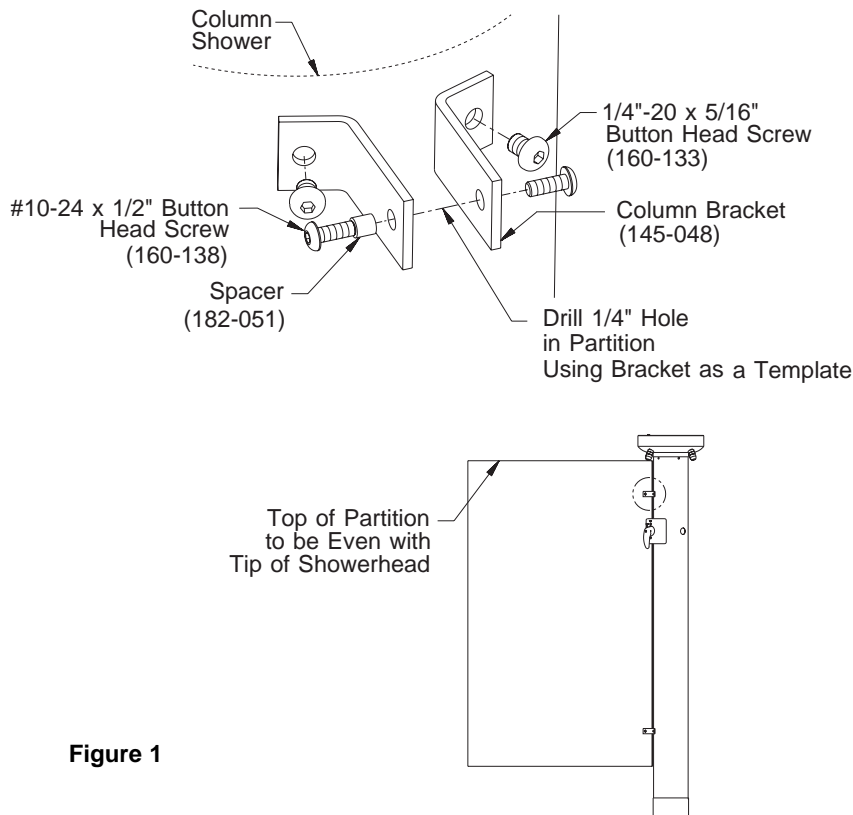


Figure 1

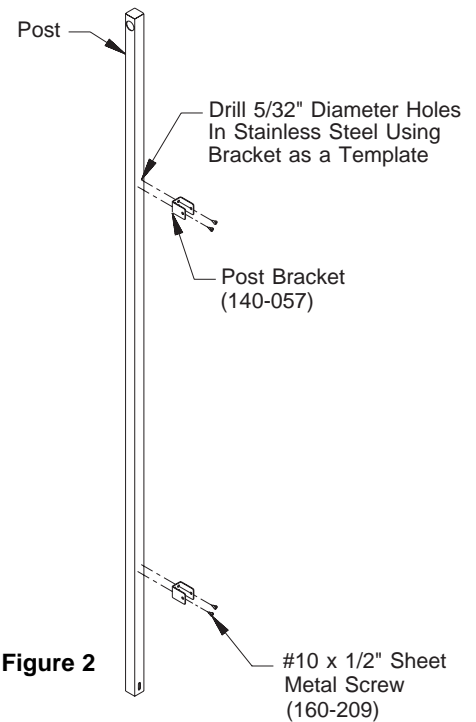


Figure 2

2

Determining Post Location

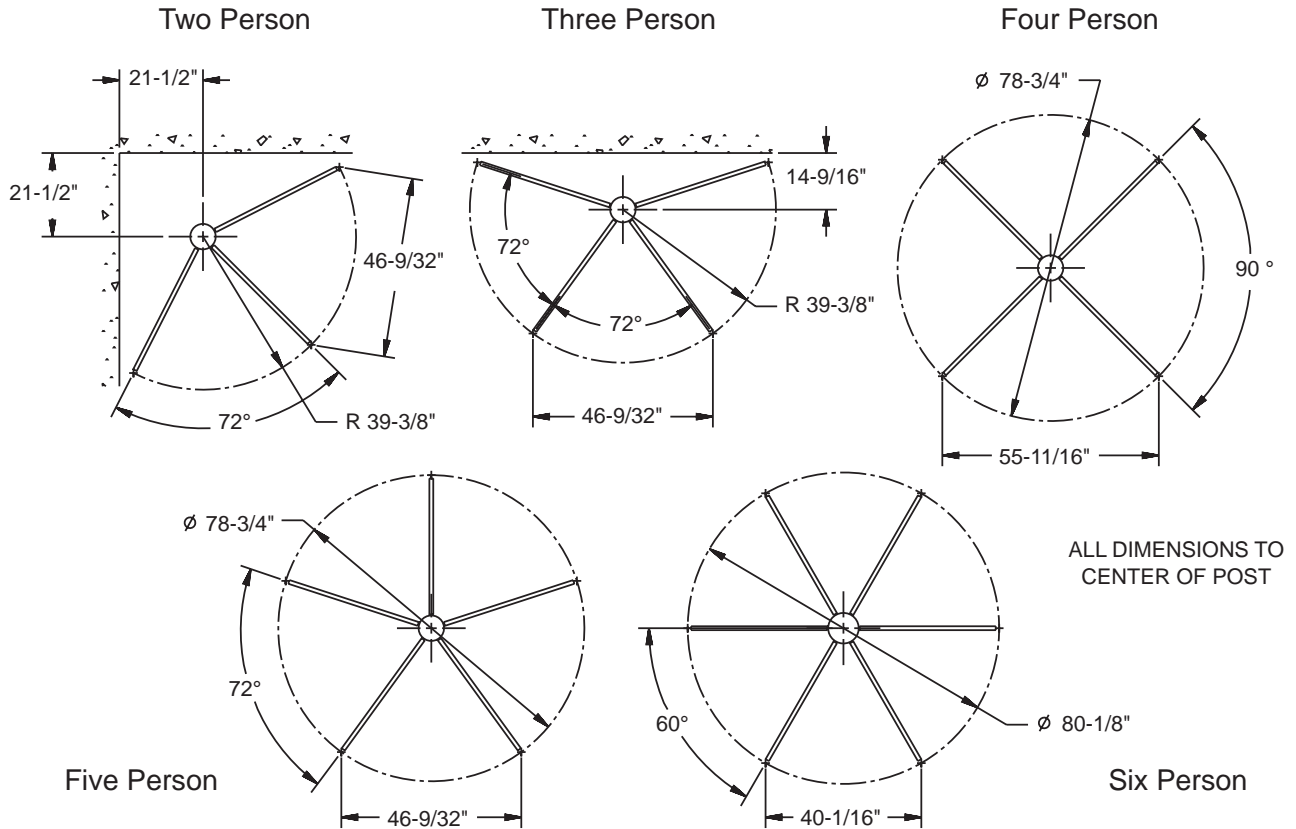


Figure 3

A SELECT THE APPROPRIATE INSTALLATION CONFIGURATION IN FIGURE 3 AND FOLLOW STEPS B TO E TO DETERMINE POST LOCATIONS.

B STARTING AT ANY ONE PARTITION, MEASURE 36" DIRECTLY BELOW THE PARTITION AND SCRIBE A LINE AS SHOWN IN FIGURE 4.

C POSITION A POST ONTO A PARTITION BUT DO NOT SECURE. CENTER THE POST OVER THE EXISTING LINE AND SCRIBE A LINE COMPLETELY AROUND THE POST (SEE FIGURE 4).

D REMOVE THE POST AND SCRIBE HORIZONTAL LINES THROUGH THE PREVIOUSLY SCRIBED LINE TO FIND THE CENTER OF THE POST (SEE FIGURE 4).

E REPEAT STEPS B THRU D FOR THE NEXT POST.

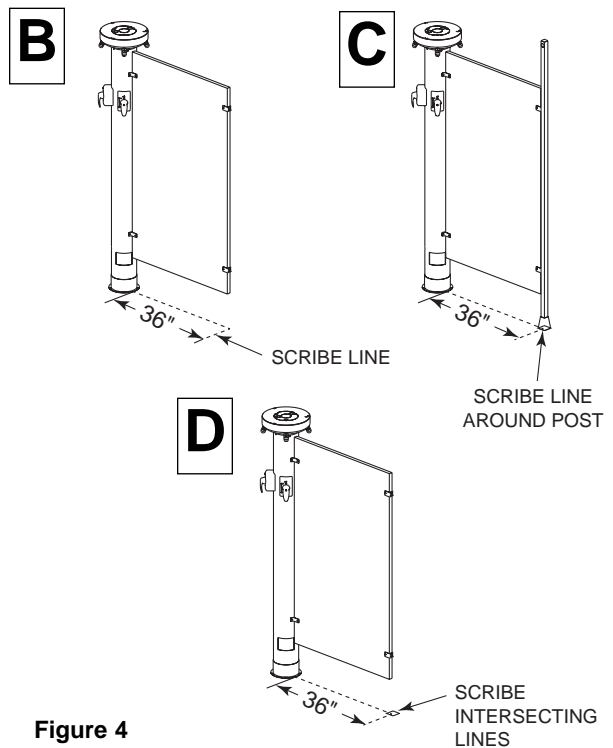


Figure 4

3 Completing Post Installation

A DRILL 3/8" HOLES INTO FLOOR AT THE POST LOCATIONS. NOTE: POST ANCHORING LOCATIONS ARE INDICATED BY THE INTERSECTING SCRIBED LINES FROM STEP 2.

B INSTALL FLOOR ANCHORS AND POST FOOT ANGLES AS SHOWN IN FIGURE 5.

C SLIDE THE SHOES ONTO BOTTOM OF POSTS.

D SET THE POSTS INTO POSITION OVER THE POST FOOT ANGLE AND FASTEN MOUNTING HARDWARE.

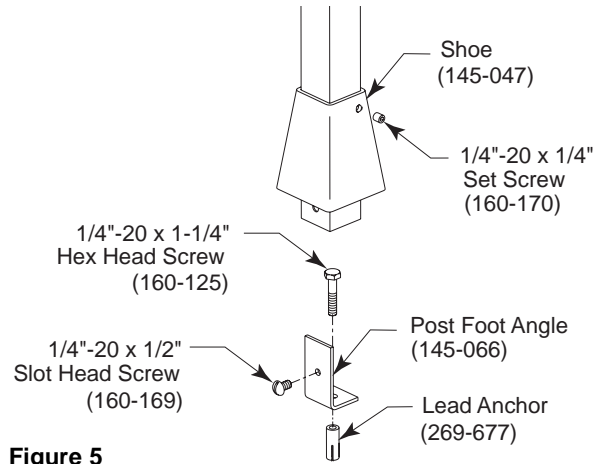


Figure 5

4 Installing Curtain Rails and Completing Installation

A SLIDE THE CURTAIN HOOKS ONTO THE CURTAIN RAILS. NOTE: THE SAME NUMBER OF CURTAIN HOOKS GOES ON EACH RAIL PARTITION AS THE NUMBER OF HOLES ON TOP OF THE CURTAIN.

B ASSEMBLE CURTAIN RAILS TO POSTS AS SHOWN IN FIGURE 6. ON SEMI-CIRCULAR UNITS, SECURE BRACKETS TO WALL AS SHOWN IN FIGURE 7.

C PLUMB POSTS AND SECURE POSTS TO PARTITIONS WITH THE #10-24 X 1/2" BUTTON HEAD SCREWS AND SPACERS PROVIDED (SEE FIGURE 8). NOTE: ASSEMBLE SPACER TO SCREWS BEFORE INSTALLING INTO PARTITION.

D BE SURE THAT ALL HARDWARE IS MOUNTED WITH PROPER NUMBER OF SCREWS AND SECURELY TIGHTENED.

E HANG SHOWER CURTAINS ON SHOWER CURTAIN HOOKS INSTALLED ON CURTAIN RAILS.

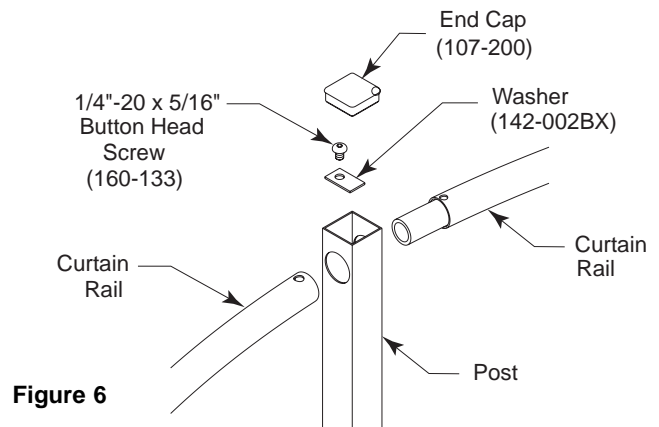


Figure 6

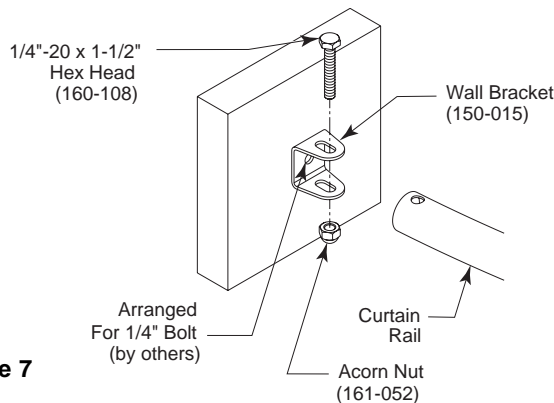


Figure 7

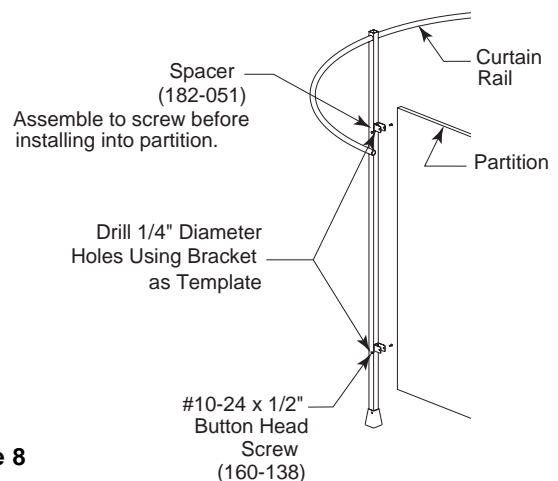


Figure 8