



- Includes Mounting Kit for Barrier-Free Seat and Partition

### Specifications

#### Materials

All exposed parts are type 304 stainless steel or polished chrome-plated brass. Drain fitting is cast iron and supply inlets are copper tubing. Internal manifold is cast brass. Grab bar is 18 gauge.

### Standard Equipment

#### Column Shower

Constructed of type 304 stainless steel. Column and column cap are 16 gauge, and base flange is 13 gauge. Valve manifold is cast brass. Access panel located near bottom of column. Each station on column shower equipped with a stainless steel soap tray.

#### Valve Type as Selected

For more information on each valve type, please enter the model number in the search box at [www.bradleycorp.com](http://www.bradleycorp.com).

#### Showerhead

Standard fixed direction adjustable spray showerhead (S15).

#### Diverter Valve

Lever handle operation for easy transfer of water flow between fixed and hand-held shower spray.

#### Hand Shower

Consisting of hand shower with on-off control, a 60" stainless steel flexible hose and post style mounting bracket to hold to column. Elevated in-line backflow preventer with quick-disconnect for flexible hose.

#### Flow Control

A 1.5 GPM (5.7 LPM) flow control is standard. Actual flow may vary, but will not exceed 2.0 GPM (7.6 LPM) max.

#### Drain fitting

Cast iron with five stainless steel mounting bolts.

#### Supply Inlets

Constructed of 3/4" type "L" copper tube.

### Optional Equipment

#### Grab Bars

Two grab bars fabricated of 18 gauge 1-1/2" O.D. stainless steel tubing with a 1-1/2" safety statute clearance. Flanges are 11 gauge. Load capacity in excess of 300 lbs.

#### Barrier-Free Seat

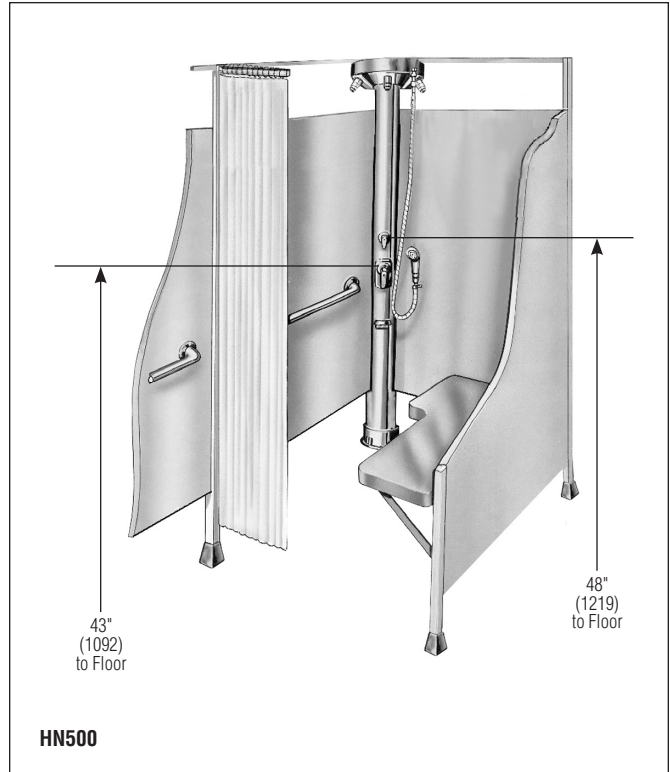
Reversible phenolic shower seat. Load capacity 250 lbs. See technical data document Bradley\_ShowerSeat\_9569 for additional information.

#### Curtain & Hooks

Curtain rails fabricated of 300 series #4 finish stainless steel cylindrical tubing. Curtain hooks are steel wire with zinc chromate finish. Curtains are 60" W x 74" H and fabricated of heavy gauge translucent vinyl with hemmed edges and aluminum grommet reinforced eyelets.



*The shower complies with most, but not all, ADA dimensional requirements. Check local codes prior to installation.*





<b>Models</b> (Must select one)		
<b>Model Number</b>	<b>Stations</b>	<b>Handicap Stations</b>
<input type="checkbox"/> 4MM-HN500	4	1

<b>Standard Selections</b> (Must select one from each category)	
<b>Drain Type (select one)</b>	
<input type="checkbox"/> <b>A</b>	Off-line vent w/ supplies from below
<input type="checkbox"/> <b>B</b>	Centrally rising vent w/ supplies from above
<input type="checkbox"/> <b>H</b>	Centrally rising vent w/ supplies from below
<input type="checkbox"/> <b>O</b>	Off-line vent w/ supplies from above

<b>Showerhead Height (select one)</b>	
<input type="checkbox"/> 6'-0" Standard Height	<input type="checkbox"/> 5'-6" Juvenile Height

<b>Valve Type (select one)</b>	
<i>Hot/Tempered and Cold Supplies</i>	
<input type="checkbox"/> <b>EF</b>	Equa-Flo Pressure Balancing Valve
<input type="checkbox"/> <b>HD</b>	Equa-Flo HD Pressure Balancing Valve
<input type="checkbox"/> <b>TMV</b>	Thermostatic Mixing Valve

<i>Single Tempered/Cold Supply</i>	
<input type="checkbox"/> <b>SVL</b>	Single Compression Valve with Lever Handle
<input type="checkbox"/> <b>AST</b>	Air Pushbutton
<input type="checkbox"/> <b>TTPA</b>	TouchTime Pushbutton**
<input type="checkbox"/> <b>TTPB</b>	TouchTime Piezo Switch**

<b>Showerhead Type (select one)</b>	
<input type="checkbox"/> <b>S15</b>	Standard Showerhead (Flow Rate = 1.5 GPM/5.7 LPM)
<input type="checkbox"/> <b>SX15</b>	Severe Service Showerhead (Flow Rate = 1.5 GPM/5.7 LPM)
<input type="checkbox"/> <b>S20</b>	Standard Showerhead (Flow Rate = 2.0 GPM/7.6 LPM)
<input type="checkbox"/> <b>SX20</b>	Severe Service Showerhead (Flow Rate = 2.0 GPM/7.6 LPM)
<input type="checkbox"/> <b>ES</b>	Economy Soft Flow w/ Ball Joint (Flow Rate = 2.0 GPM/7.6 LPM)

<b>Optional Selections</b>	
<b>Volume Control Type (select one)†</b>	
<input type="checkbox"/> <b>AKV</b>	Allen Key Volume Control
<input type="checkbox"/> <b>LHV</b>	Lever Handle Volume Control
<input type="checkbox"/> <b>NONE</b>	No Volume Control

<b>Ball Joint Type (select one)†</b>	
<input type="checkbox"/> <b>LBJ</b>	Lockable Ball Joint
<input type="checkbox"/> <b>NONE</b>	No Ball Joint

<b>Supply Stop Type (select one)</b>	
<input type="checkbox"/> <b>ST</b>	Stops in Supplies
<input type="checkbox"/> <b>NONE</b>	No Supply Stops

<b>Drain Variant Type (select one)</b>	
<input type="checkbox"/> <b>D</b>	Standard Drain
<input type="checkbox"/> <b>DG</b>	Dome Grate Drain
<input type="checkbox"/> <b>LD</b>	Less Drain

<b>Column Drain Slot Type (select one)</b>	
<input type="checkbox"/> <b>WS</b>	With Column Drain Slots
<input type="checkbox"/> <b>LS</b>	Less Column Drain Slots*

<b>Clamping Ring Type (select one)</b>	
<input type="checkbox"/> <b>CR</b>	Clamping Ring for Flashing
<input type="checkbox"/> <b>NONE</b>	No Clamping Ring for Flashing

<b>Optional Selections (continued)</b>	
<b>Flange Anchor Type (select one)</b>	
<input type="checkbox"/> <b>FAK</b>	Flange Anchor Kit
<input type="checkbox"/> <b>NONE</b>	No Flange Anchor Kit

<b>Shroud Type (select one)</b>	
<input type="checkbox"/> <b>SH</b>	Telescoping Shroud (floor to ceiling height _____ ft. _____ in.)*
<input type="checkbox"/> <b>NONE</b>	No Shroud

<b>Shower Seat Type (select one)</b>	
<input type="checkbox"/> <b>RSS</b>	Reversible Phenolic Shower Seat
<input type="checkbox"/> <b>NS</b>	No Seat

<b>Grab Bar Type (select one)</b>	
<input type="checkbox"/> <b>GB1</b>	Grab Bar - 24" Straight
<input type="checkbox"/> <b>NONE</b>	No Grab Bar

<b>Modesty Module (select desired configuration)</b>	
<i>Reference the Modesty Module Showers tech data to select the proper configuration for your application.</i>	
<input type="checkbox"/> <b>4000</b>	Modesty Module + 1 HN500 Shower Unit
<input type="checkbox"/> <b>4001</b>	Modesty Module + 1 HN500 Shower Unit
<input type="checkbox"/> <b>4002</b>	Modesty Module + 1 HN500 Shower Unit
<input type="checkbox"/> <b>4003</b>	Modesty Module + 1 HN500 Shower Unit
<input type="checkbox"/> <b>4003W</b>	Modesty Module + 1 HN500 Shower Unit
<input type="checkbox"/> <b>4004</b>	Modesty Module + 1 HN500 Shower Unit
<input type="checkbox"/> <b>4005</b>	Modesty Module + 1 HN500 Shower Unit
<input type="checkbox"/> <b>4006</b>	Modesty Module + 1 HN500 Shower Unit
<input type="checkbox"/> <b>4007</b>	Modesty Module + 1 HN500 Shower Unit
<input type="checkbox"/> <b>4008</b>	Modesty Module + 2 HN500 Shower Units
<input type="checkbox"/> <b>4009</b>	Modesty Module + 2 HN500 Shower Units
<input type="checkbox"/> <b>4010</b>	Modesty Module + 2 HN500 Shower Units
<input type="checkbox"/> <b>4011</b>	Modesty Module + 3 HN500 Shower Units
<input type="checkbox"/> <b>4012</b>	Modesty Module + 3 HN500 Shower Units
<input type="checkbox"/> <b>4013</b>	Modesty Module + 3 HN500 Shower Units
<input type="checkbox"/> <b>4014</b>	Modesty Module + 3 HN500 Shower Units
<input type="checkbox"/> <b>4015</b>	Modesty Module + 1 HN500 Shower Unit + 1 WS-2W Shower Unit
<input type="checkbox"/> <b>4016</b>	Modesty Module + 1 HN500 Shower Unit + 1 WS-2W Shower Unit
<input type="checkbox"/> <b>4017</b>	Modesty Module + 2 HN500 Shower Units + 1 WS-2W Shower Unit
<input type="checkbox"/> <b>4018</b>	Modesty Module + 2 HN500 Shower Units + 1 WS-2W Shower Unit

<b>Modesty Module Curtain Type (select one)</b>	
<input type="checkbox"/> <b>CN</b>	Standard Curtain
<input type="checkbox"/> <b>HR</b>	Herculite Curtain
<input type="checkbox"/> <b>NONE</b>	No Multi-Stall Curtain

<b>Modesty Module Roller Hook Type (select one)</b>	
<input type="checkbox"/> <b>RH</b>	Roller Hooks
<input type="checkbox"/> <b>NONE</b>	No Multi-Stall Roller Hook

<b>Modesty Module Robe Hook Type (select one)</b>	
<input type="checkbox"/> <b>BH</b>	Robe Hook
<input type="checkbox"/> <b>NONE</b>	No Multi-Stall Robe Hook

\* Non-cancelable, non-returnable  
 \*\* TTPA and TTPB valves require a low-voltage UL/CSA listed 120VAC/12VDC plug-in adapter.  
 † Only available on S15 and S20 showerheads.

Verify all rough-in dimensions prior to installation.  
 Consult local and national codes: conformity and compliance to local and national codes is the responsibility of the installer.  
 2.5 GPM showerhead flow rate does not meet California Energy Commission 20 CCR T.20, Div. 2, 1601-1609