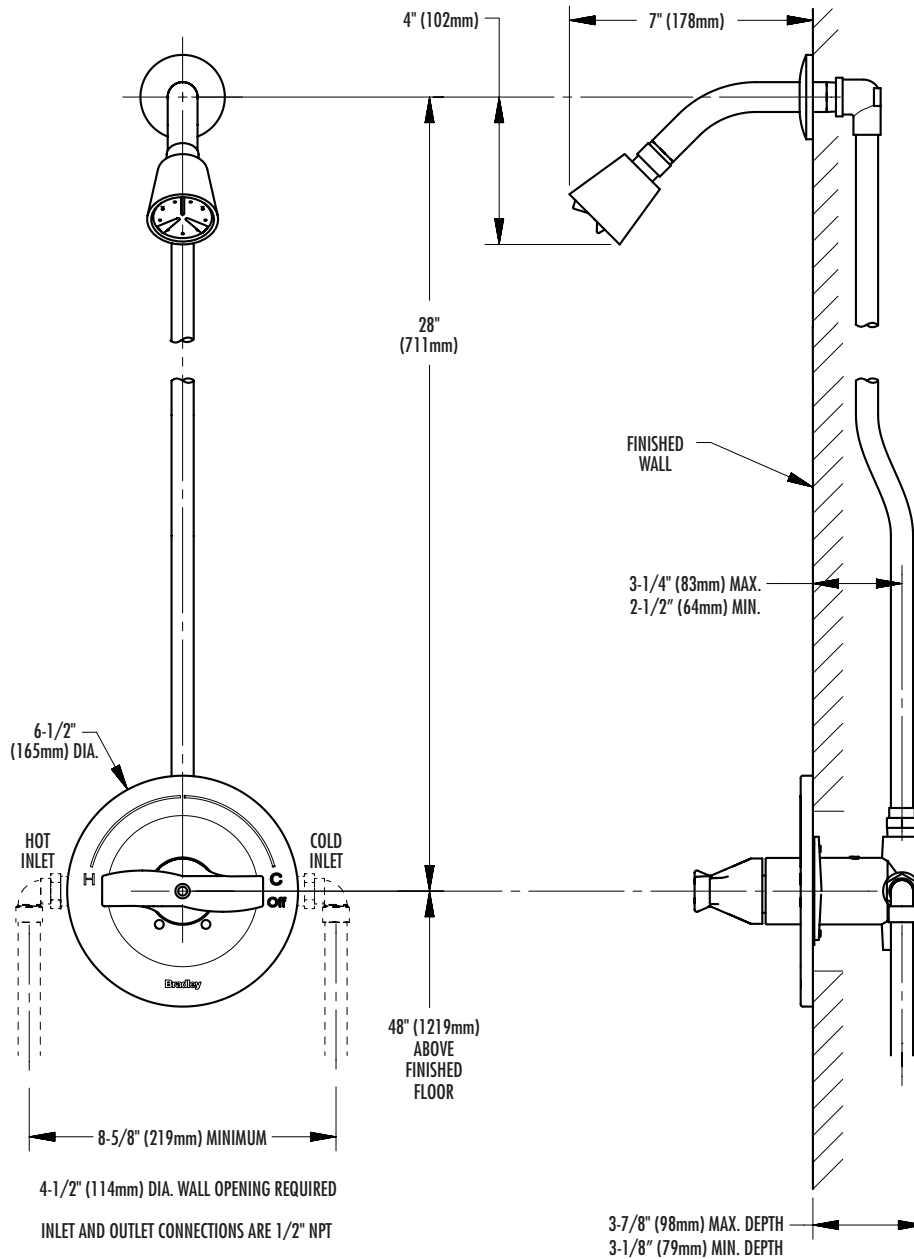


Rough-In for Equa-Flo and Thermostatic In-Wall Showers

Models 1C-EF, 1C-C5, 1C-HD, 1C-TMV



SHOWER ONLY

Document No. 5580

This information is subject to change without formal notice.
© 2007 Bradley Corporation
2-169-2007 (1 Page Total)

Bradley 

P.O. Box 309, Menomonee Falls, WI 53052-0309
Phone 1-800-BRADLEY FAX 262-251-5817
Web Site: <http://www.bradleycorp.com>

SH5580.1