

---

# Installation Instructions

---

## 1C AST

### Individual Built-In Wall Shower with Concealed Supplies

#### Table of Contents

|   |   |
|---|---|
| Pre-Installation Information .....          | 2 |
| Installation Instructions .....             | 3 |
| 1C AST Repair parts .....                   | 4 |
| Metering Valve Troubleshooting .....        | 5 |
| Cleaning and Maintenance Instructions ..... | 6 |



#### **IMPORTANT**

**Read this entire installation manual  
to ensure proper installation.**

**Flush all water supply lines before  
making connections.**

**File these instructions with the  
owner or maintenance department.**

## Pre-Installation Information

### Overview

The 1C AST shower controls water flow through the use of pneumatic metering. When the push button is released, the valve is activated, which then delivers water to the fixture for a preset length of time. Bradley 1C showers can be installed at any height (see recommended heights below).

### Recommended Shower Heights\*

| Age      | Male         | Female       |
|----------|--------------|--------------|
| Adult    | 6'0" (1.83m) | 5'6" (1.68m) |
| Teenage  | 6'0" (1.83m) | 5'6" (1.68m) |
| Pre-Teen | 5'6" (1.68m) | 5'6" (1.68m) |

\* Finished floor to showerhead tip

### Components

**Material:** All exposed parts are stainless steel or polished chrome-plated brass.

**Supply Inlet:** The supply inlet to the metering valve is 1/2" IPS.

### Supplies required for installation

- 1/2" IPS tempered water supply piping and fittings
- 3/8" IPS piping
- (4) 1/4"-20 wall anchors for showerhead
- (2) #10 wall anchors
- teflon pipe sealant

### Bradley 1C AST Shower Warranty

Bradley Corporation warrants to commercial and institutional purchasers only each unit free from defects in material and workmanship under normal use and service upon the following terms and conditions:

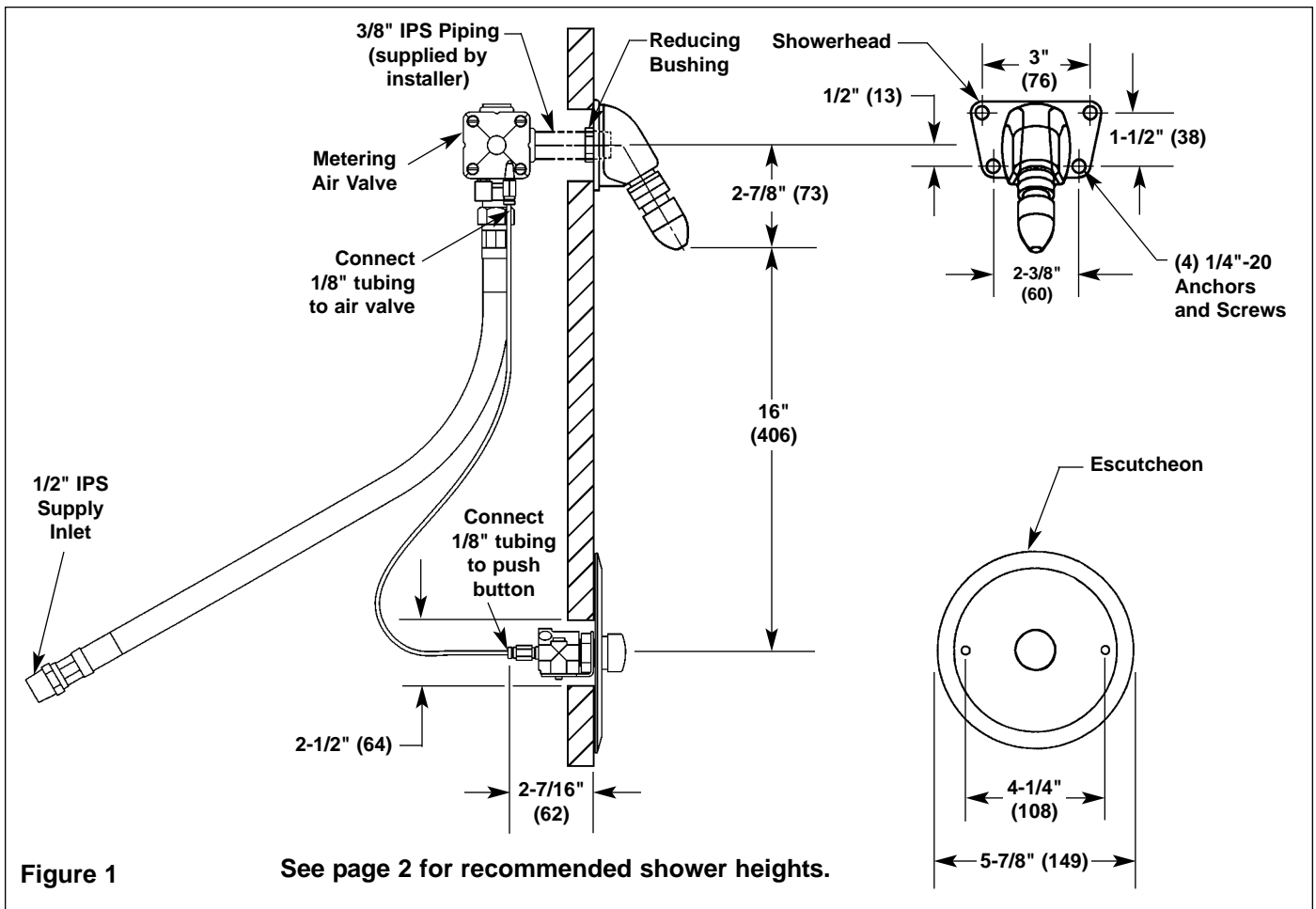
1. This warranty is limited to replacing or repairing, at our option, transportation charges prepaid by the purchaser, any Bradley unit or part thereof which our inspection shall show to have been defective within the limitations of this warranty.
2. The period during which 1C AST components are warranted is one (1) year, measured from the date of our invoice.
3. This warranty does not cover installation or any other labor charges and does not apply to any units which have been damaged by accident, abuse, improper installation or improper maintenance.
4. The replacement or repair of defective units as stated in this warranty shall constitute the sole remedy of the purchaser and the sole liability of Bradley Corporation under this warranty. Bradley Corporation shall not otherwise be liable under any indirect damages caused by defects in the repair or replacement thereof.
5. This warranty extends only to commercial and institutional purchaser and does not extend to any others, including consumer customers of commercial institutional purchasers.
6. This warranty is in lieu of all other warranties, expressed or implied, including any implied warranty of merchantability or fitness for a particular purpose or otherwise.

## Installation Instructions

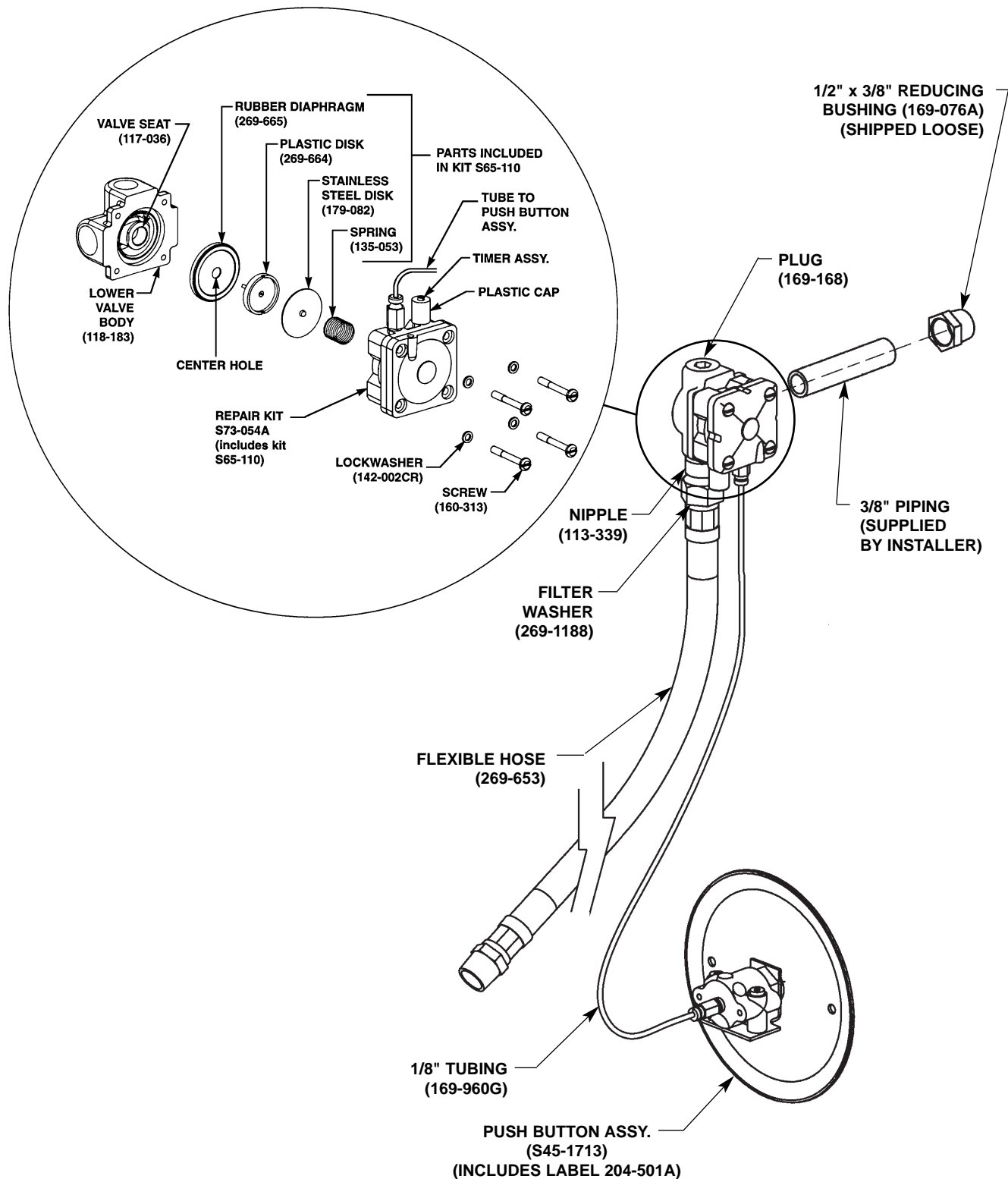
### Step 1: Rough in and install shower

*Note: Refer to Figure 1 below when roughing in and installing the 1C AST shower.*

1. Rough in the tempered water supply piping required for your installation.
2. Rough in the wall openings for the showerhead and push button as required for your installation.
3. Install two #10 wall anchors (supplied by installer) to secure the push button assembly.
4. Install four 1/4"-20 anchors (supplied by installer) to secure the showerhead.
5. Secure the showerhead to the 1/4"-20 wall anchors (installed in procedure #4) using the screws provided.
6. Thread 1/2" x 3/8" reducing bushing (supplied by Bradley) into the back of the showerhead, then thread the 1/2" IPS piping (supplied by installer) into the reducing bushing. Connect the air valve to the piping.
7. Secure the air valve push button to the #10 wall anchors (installed in procedure #3) using the screws provided.
8. Connect one end of the 1/8" tubing to the valve and the other end of the tubing to the back of the push button assembly as shown.
9. Connect the flexible hose to the water supply.
10. Turn on the water supply to your 1C shower and check for leaks and adequate water flow. Adjust the metering valve timing if necessary (see "Troubleshooting" on page 5).



## 1C AST Shower Repair Parts



## Metering Air Valve Troubleshooting

### Problem: Water is dripping from the showerhead.

*Cause: Debris on valve seat or orifices.*

**Solution:** Clean and inspect the valve seat.

1. Remove screws and disassemble metering valve, leaving the plastic upper body firmly snapped together.
2. Clean the valve seat and inspect for deep gouges or scratches. Replace if necessary.
3. Remove all debris that may be clogging center hole of plastic diaphragm assembly.
4. Remove any debris clogging the off-center hole in the rubber diaphragm.

### Problem: Valve will not shut off.

*Cause: Timing mechanism is clogged.*

**Solution:** Clean timing mechanism:

1. Remove the entire timer assembly from the valve body. If the valve shuts off immediately, the problem is in the timer assembly. If the valve does not shut off immediately, the problem is due to debris in the valve seat or orifice.
2. If compressed air is available, blow water and debris from perforated metal sleeve of timing mechanism.
3. Reinstall the timer assembly into the valve body.
4. Turn the adjusting screw in all the way but do not force screw.
5. Turn adjusting screw out to desired cycle time.

*Cause: There is an air leak*

**Solution:** Check assembly:

1. Check all tubing and fittings for proper assembly.
2. Tighten all screws which hold valve together.

### Problem: Timing can not be adjusted for more than 5 seconds.

*Cause: There is an air leak*

**Solution:** Check assembly:

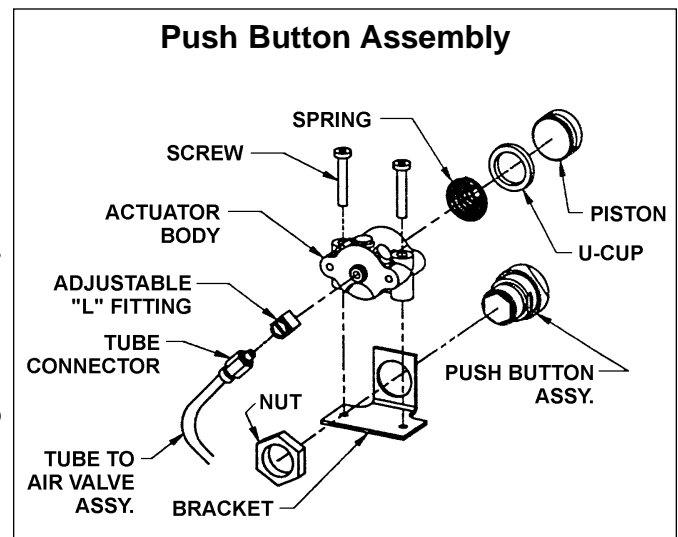
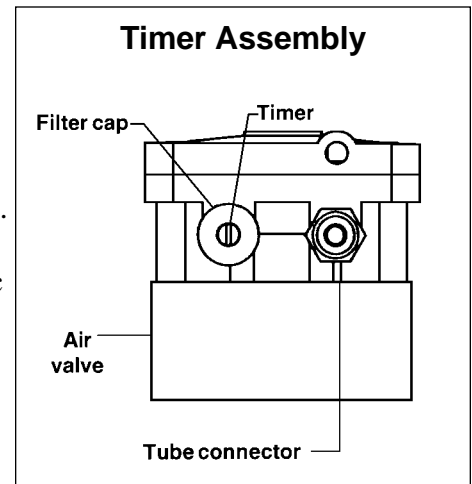
1. Check all tubing and fittings for proper assembly.
2. Tighten all screws which hold valve together.

### Problem: Push button does not work properly.

*Cause: Air volume may not be sufficient to operate valve.*

**Solution:** Check for leaks and lubricate U-cup:

1. Check all fittings for air leaks.
2. Disassemble push button and lubricate U-cup seal (see push button assembly diagram).



## Care and Cleaning of Stainless Steel

Periodic and frequent cleaning will greatly prolong the service life of stainless steel equipment and, at the same time, maintain a bright surface of pleasing appearance. The amount and frequency of cleaning depends on service conditions involved.

### Cleaning suggestions

 **IMPORTANT:** Never use ordinary steel wool or steel brushes on stainless steel. Always use stainless steel wool or stainless steel brushes.

 **IMPORTANT:** Do not allow salty solutions to evaporate and dry on stainless steel.

**General cleaning:** Ordinary deposits of dirt and grease are quickly removed with soap and water. Whenever possible, the metal should be thoroughly rinsed and dried after washing. To get rid of tightly adhering deposits, use stainless steel polishing powder. In all cases, rubbing should be in the direction of polishing lines.

**Showerhead cleaning:** If the showerhead delivers an uneven spray, remove the showerhead from the unit, disassemble, and remove foreign matter. Then reassemble showerhead and reinstall into unit.

**Rust:** Sometimes the appearance of rust streaks on stainless steel leads to the belief that the stainless steel is rusting. Look for the source of the rust in some iron or steel not actually a part of the stainless steel structure.

*NOTE: Strongly acidic or caustic cleaners may attack the steel causing a reddish film to appear. The use of these cleaners should be avoided.*